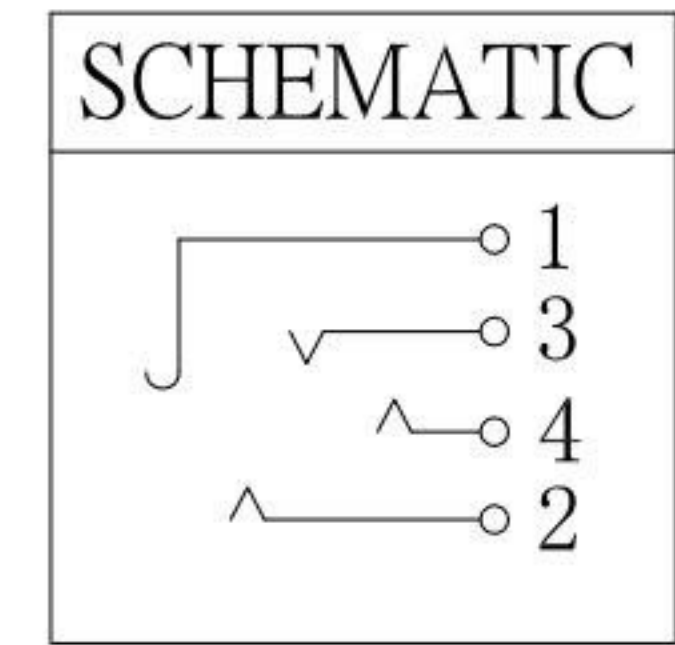
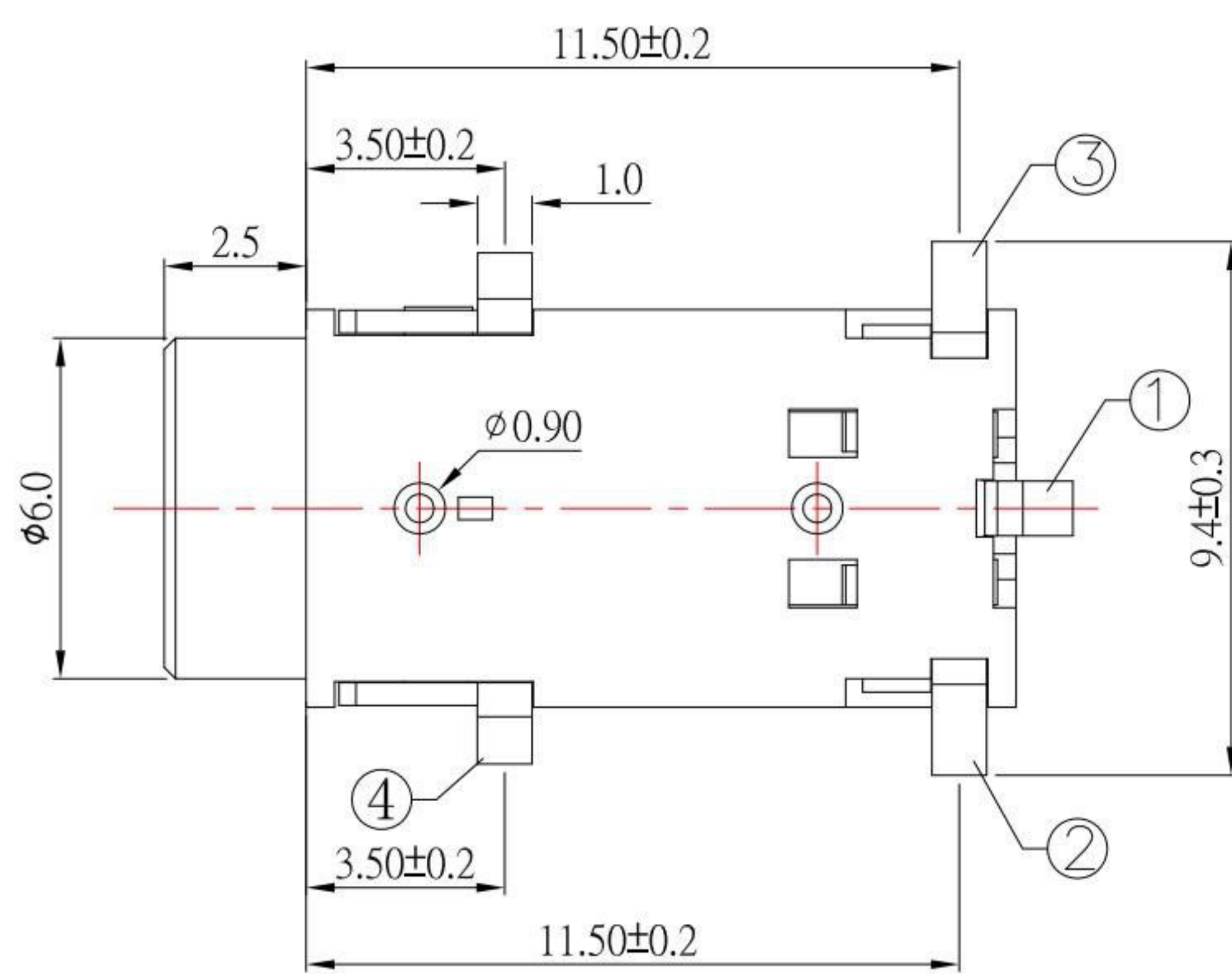
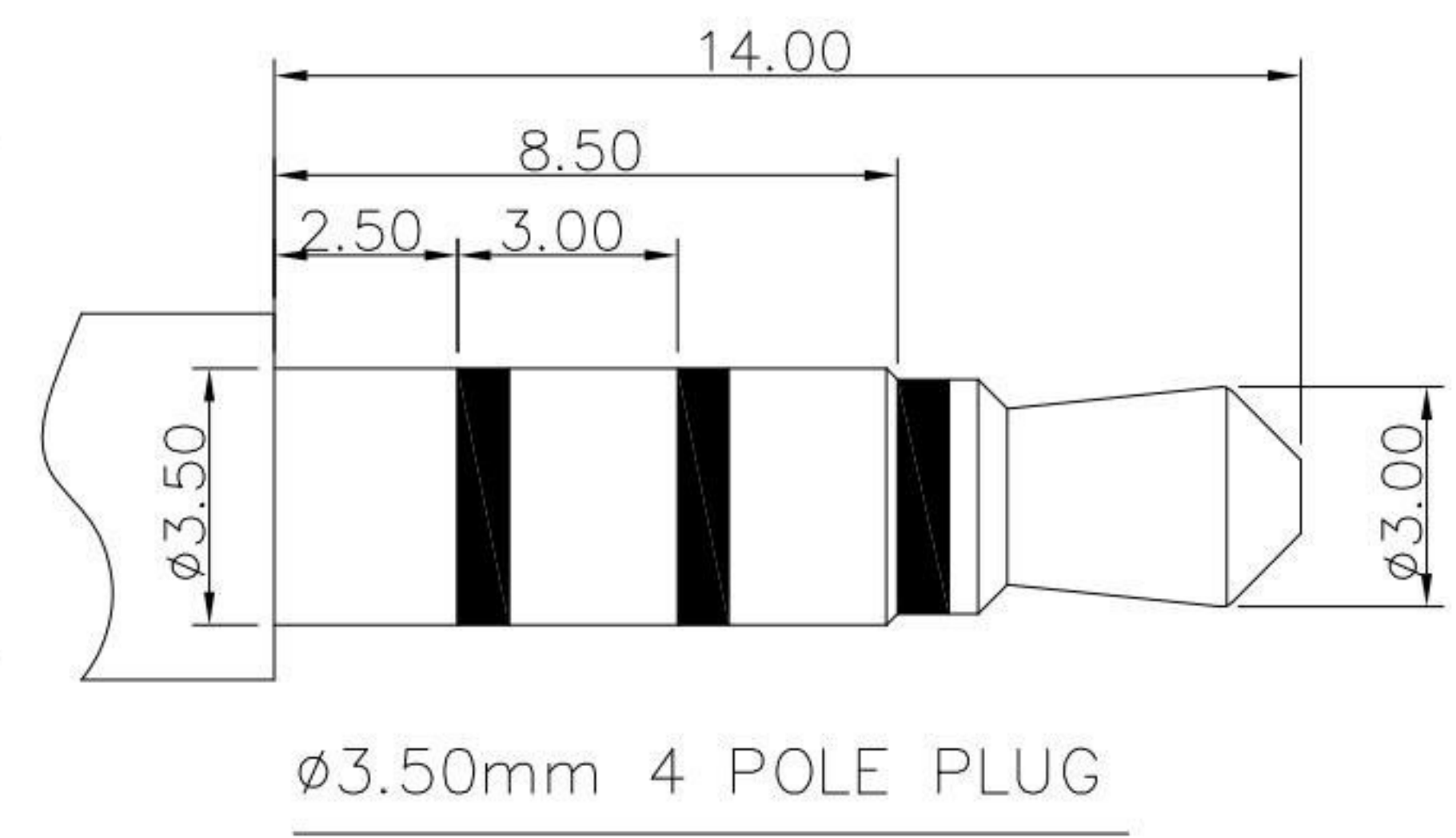
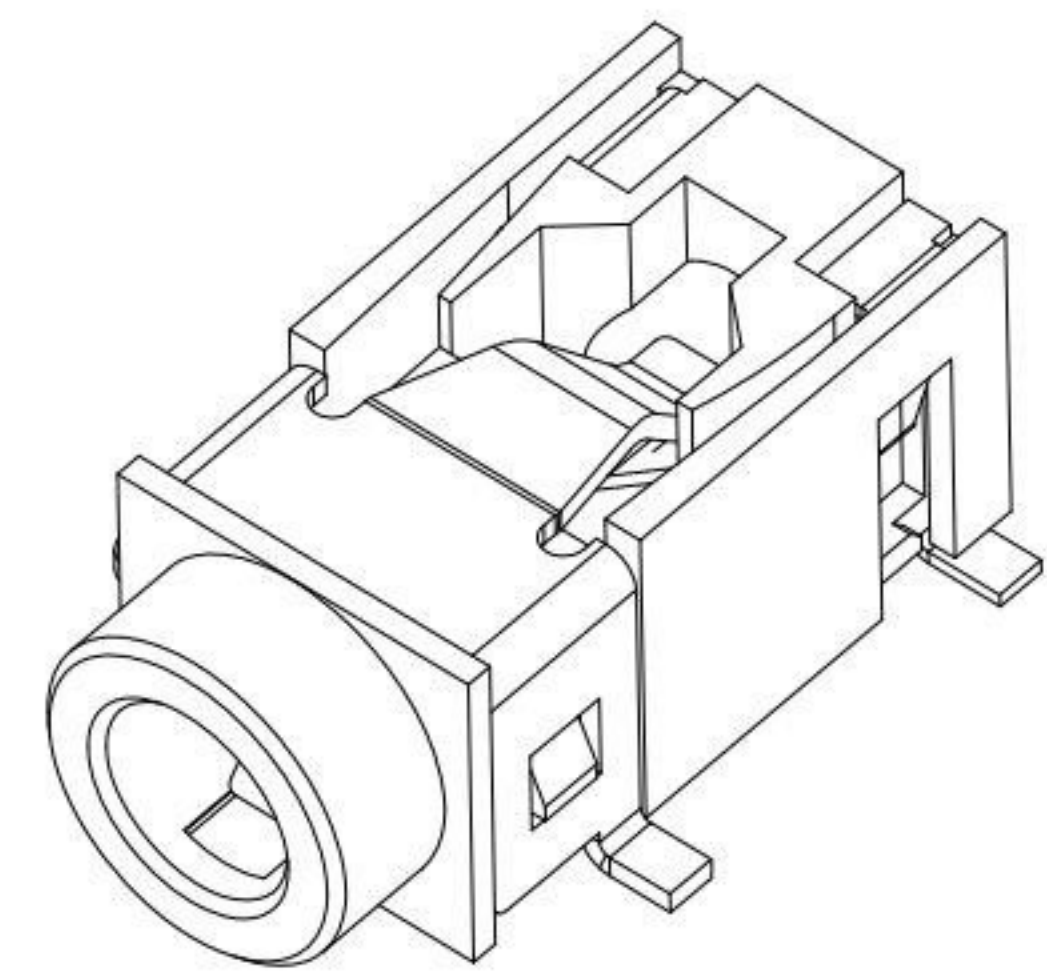


P.C.B LAYOUT  
TOP VIEW



SPECIFICATIONS

- 1.Rating : DC 30V 0.5A
- 2.Contact resistance : ≤30mΩ
- 3.Insulation resistance : ≥100MΩ
- 4.Withstand voltage : 500VAC
- 5.Insertion and extraction force : 3-20N
- 6.life test : 5,000 cycles



NO.	DESCRIPTION	QTY	MATERIAL	PLATING
5	HOUSING	1	PA9T	
4	4# CONTACT FOOT	1	PHOSPHOR BRONZE	Ag-Plating
3	3#CONTACT FOOT	1	PHOSPHOR BRONZE	Ag-Plating
2	2# CONTACT FOOT	1	PHOSPHOR BRONZE	Ag-Plating
1	1# CONTACT FOOT	1	PHOSPHOR BRONZE	Ag-Plating

**KSD** 科斯达电子科技有限公司  
SWITCH CONNECTOR KSD ELECTRONIC TECHNOLOGY Co., LTD  
全球 互联零组件制造企业

TOLERANCE UNLESS OTHERWISE STATED:  
Up to 5 ±0.2  
Above 5 ~ 15 ±0.3  
Above 15 ~ 30 ±0.4  
Above 30 ~ 50 ±0.5  
Angle ±0.3°

3RD. ANGEL'S

UNITS MM

DRAWN BY:	DATE	MAT'L	TITLE	JACK
Jack Lu	03/29/19		MODLE	PHONE JACK
CHECKED BY:	DATE	FINISH	DWG NO.	PJ-S3022-S124
Jacky Chen	03/29/19		PART NO.	PJ-S3022-S124
APPROVED BY:	DATE	SCALE	1:1	
Tony Kao	03/29/19	SHEET NO.	1 of 1	

ITEM NO.	DESCRIPTION	DRAWN	DATE
1	更新樣式及尺寸	Jack	032919

SIZE A4  
VER R1