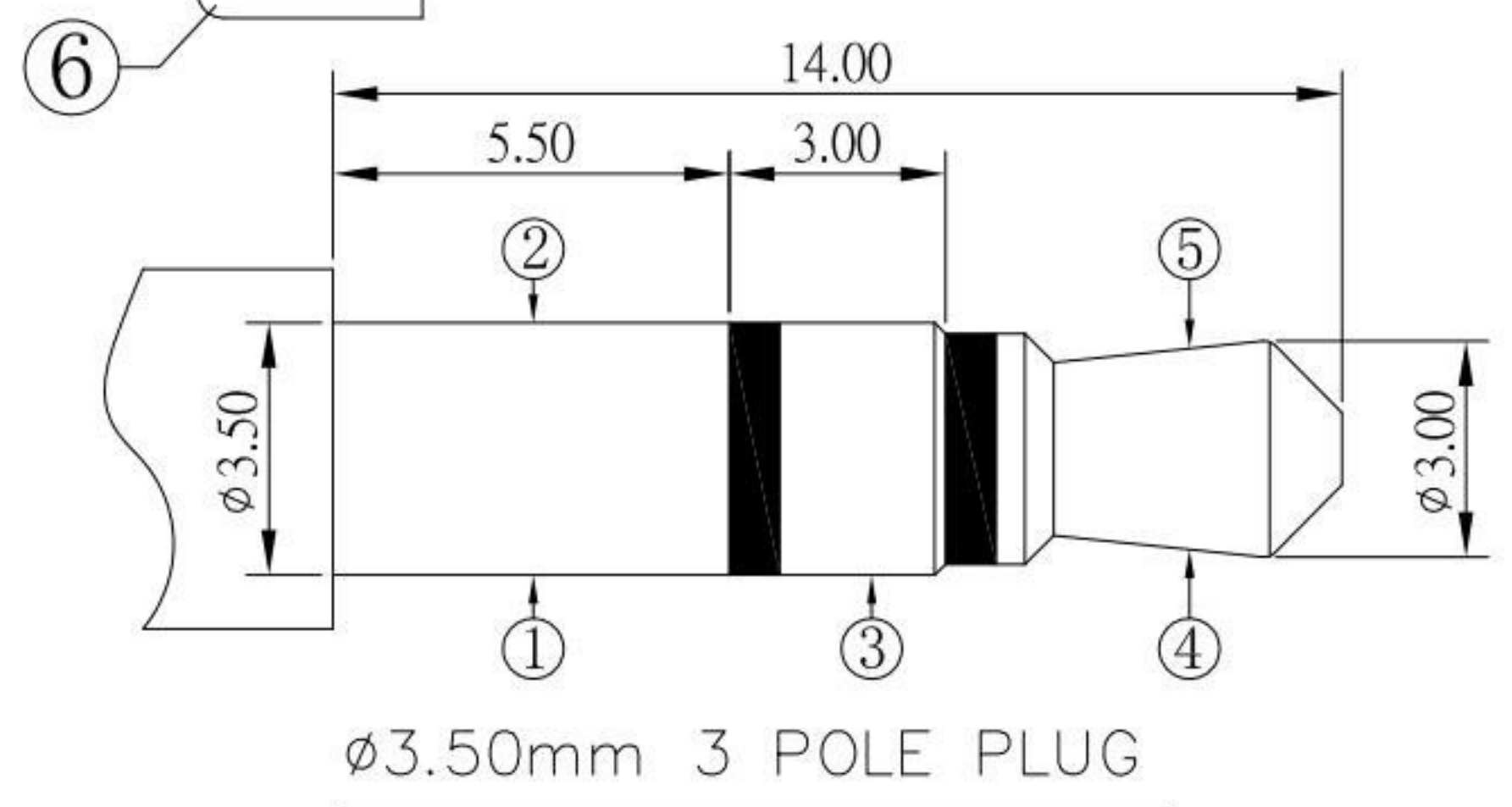
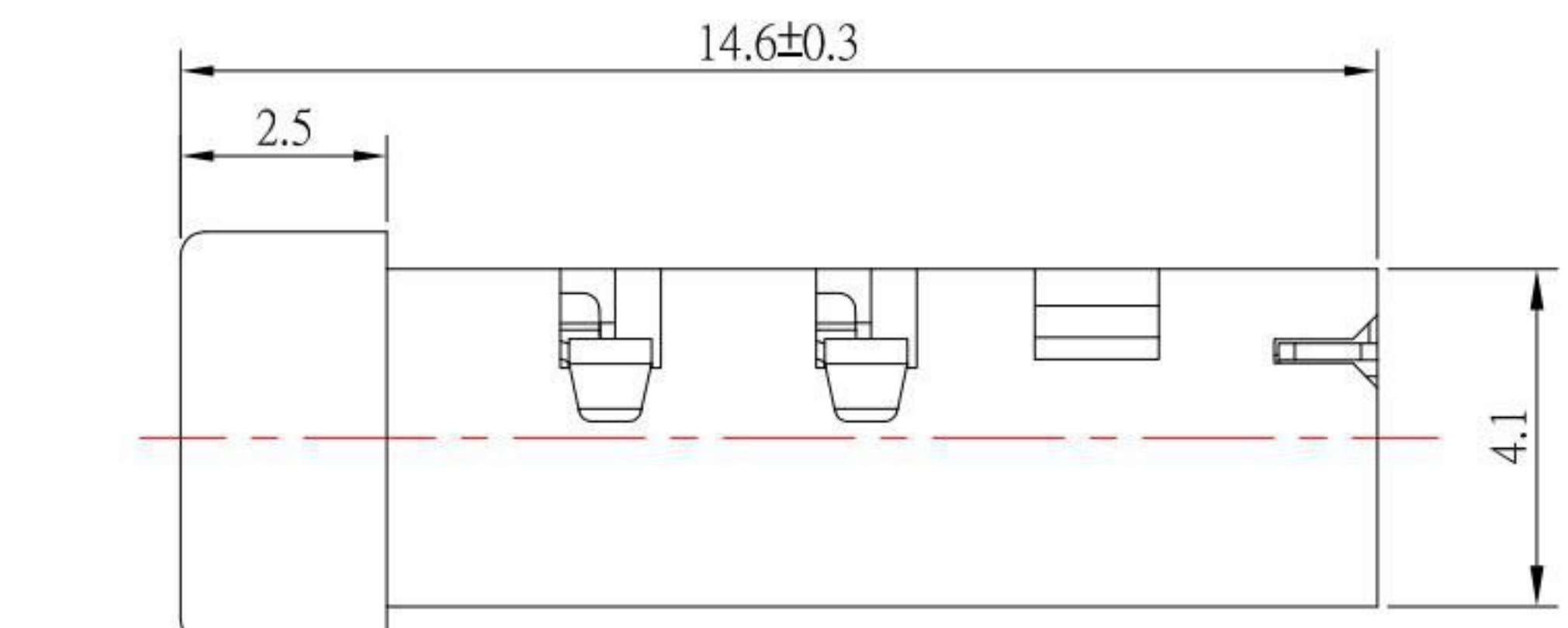
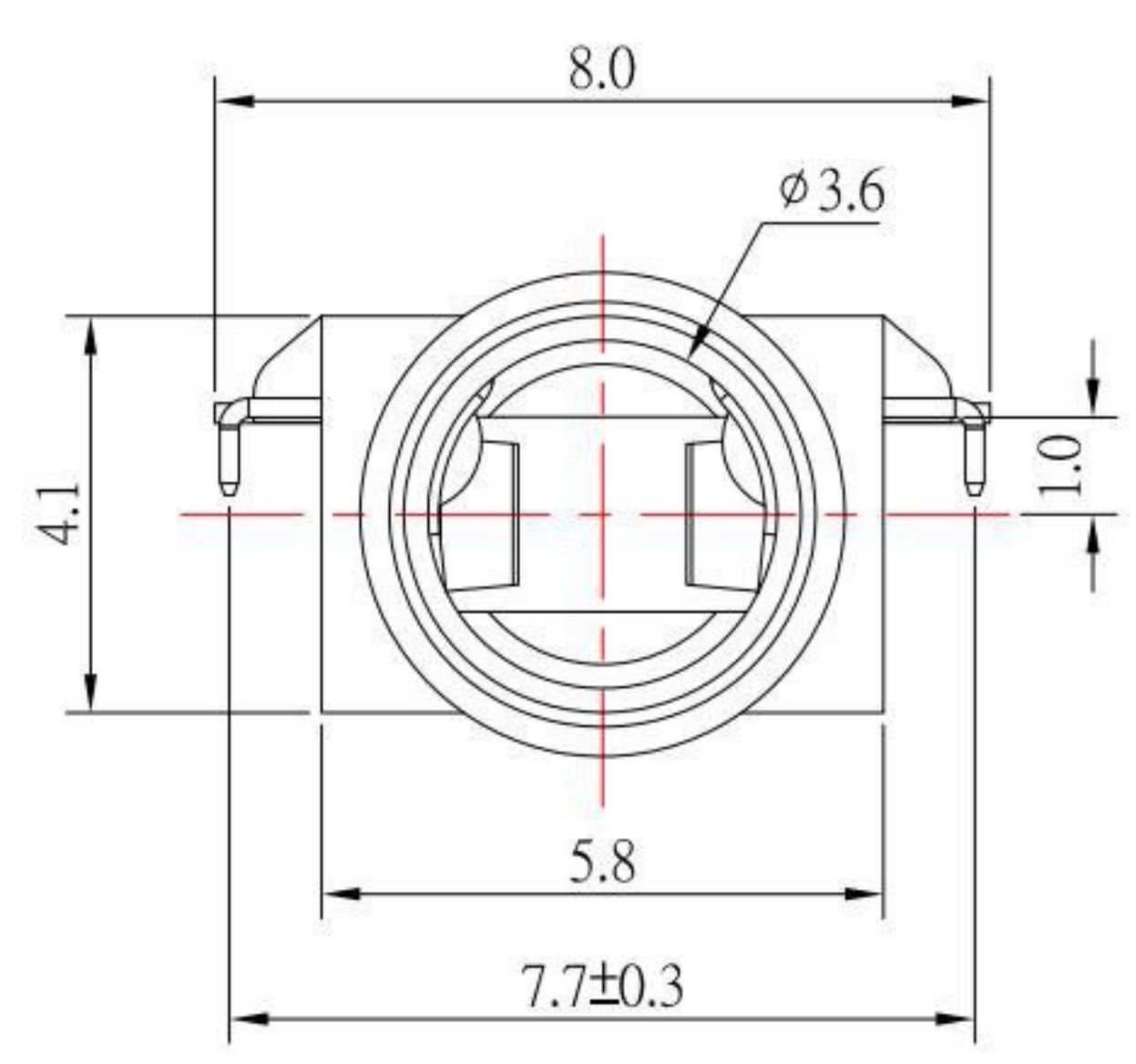
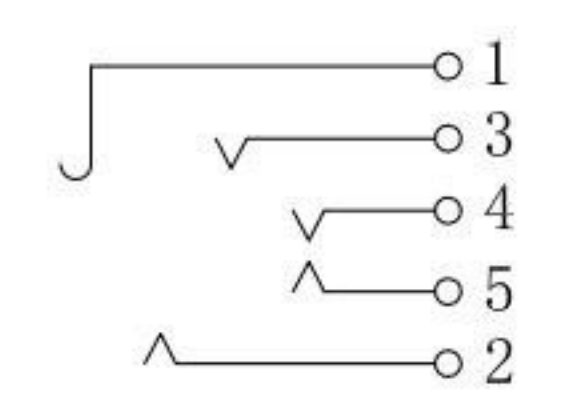


P.C.B LAYOUT  
TOP VIEW



ø3.50mm 3 POLE PLUG



SCHEMATIC

SPECIFICATION

- 1. Rating : DC 30V 0.5A ;
- 2. Contact resistance : ≤0.03Ω ;
- 3. Insulation resistance : ≥100MΩ (DC250V) ;
- 4. Withstand voltage : 500VAC ;
- 5. Insertion and extraction force : 3-20N ;
- 6. life test : 5,000 cycles °

NO.	DESCRIPTION	Q'TY	MATERIAL	PLATING
6	HOUSING	1	PA9T	
5	5# CONTACT FOOT	1	PHOSPHOR BRONZE	Ag-Plating
4	4# CONTACT FOOT	1	PHOSPHOR BRONZE	Ag-Plating
3	3# CONTACT FOOT	1	PHOSPHOR BRONZE	Ag-Plating
2	2# CONTACT FOOT	1	PHOSPHOR BRONZE	Ag-Plating
1	1# CONTACT FOOT	1	PHOSPHOR BRONZE	Ag-Plating

**KSD** 科斯达电子科技有限公司  
 SWITCH CONNECTOR KSD ELECTRONIC TECHNOLOGY Co., LTD  
 全球 互联零组件制造企业

TOLERANCE UNLESS OTHERWISE STATED:  
 Up to 5 ±0.2  
 Above 5 ~ 15 ±0.3  
 Above 15 ~ 30 ±0.4  
 Above 30 ~ 50 ±0.5  
 Angle ±0.3°

3RD. ANGEL'S

UNITS MM

ITEM NO.	DESCRIPTION	DRAWN	DATE
3	更新樣式	Jack	082119
2	更新尺寸	Jack	080519
1	新增PLUG	Jack	121318

DRAWN BY:	DATE	MAT'L	TITLE	JACK
Jack Lu	08/21/19		MODLE	PHONE JACK
CHECKED BY:	DATE	FINISH	DWG NO.	PJ-S3112A1-S124
Jacky Chen	08/21/19		PART NO.	PJ-S3112A1-S124
APPROVED BY:	DATE	SCALE	1:1	
Tony Kao	08/21/19	SHEET NO.	1 of 1	

SIZE A4  
 VER R3