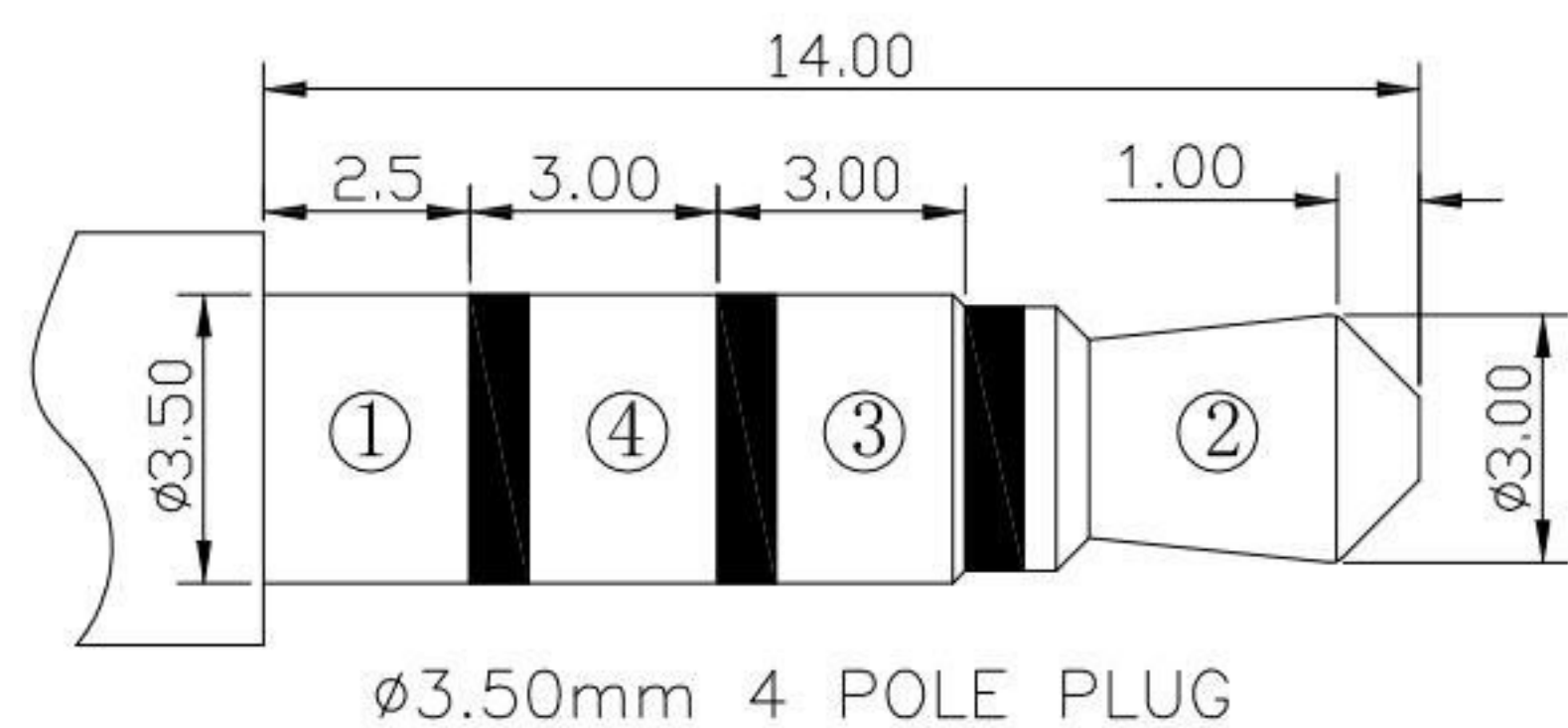


SPECIFICATION

- 1.Rating : DC 30V, 0.5A ;
- 2.Contact resistance : ≤ 30mΩ ;
- 3.Insulation resistance : ≥ 100MΩ ;
- 4.Withstand voltage : 500VAC ;
- 5.Insertion and extraction force : 3-20N;
- 6.life test : 5,000 cycles °



**P.C.B LAYOUT
TOP VIEW**

NO.	DESCRIPTION	QTY	MATERIAL	PLATING
⑦	HOUSING	1	PPA	
⑥	6# CONTACT FOOT	1	PHOSPHOR BRONZE	Au-Plating
⑤	5# CONTACT FOOT	1	PHOSPHOR BRONZE	Au-Plating
④	4# CONTACT FOOT	1	PHOSPHOR BRONZE	Au-Plating
③	3# CONTACT FOOT	1	PHOSPHOR BRONZE	Au-Plating
②	2# CONTACT FOOT	1	PHOSPHOR BRONZE	Au-Plating
①	1# CONTACT FOOT	1	PHOSPHOR BRONZE	Au-Plating

ITEM NO.	DESCRIPTION	DRAWN	DATE
6	更新电路选项	Jack	042922
5	新增PLUG标号	Jack	052819
4	更新画面	Jack	052419
3	新增3d上方图	Jack	101918
2	更新画面	Jack	092818
1	新增尺寸	Jack	070717

KSD 科斯达电子科技有限公司
 SWITCH CONNECTOR 全球互联零组件制造企业
 KSD ELECTRONIC TECHNOLOGY Co., LTD

TOLERANCE UNLESS OTHERWISE STATED:

Up to 5	±0.2
Above 5 ~ 15	±0.3
Above 15 ~ 30	±0.4
Above 30 ~ 50	±0.5
Angle	±0.3°

3RD. ANGEL'S

UNITS MM

DRAWN BY:	DATE	MAT'L	TITLE	JACK
Jack Lu	04/29/22		MODLE	PHONE JACK
CHECKED BY:	DATE	FINISH	DWG NO.	PJ-S3118-S124
Jacky Chen	04/29/22		SHEET NO.	1 of 1
APPROVED BY:	DATE	SCALE	PART NO.	PJ-S3118-S124
Tony Kao	04/29/22	1:1		

SIZE
A4
VER
R6