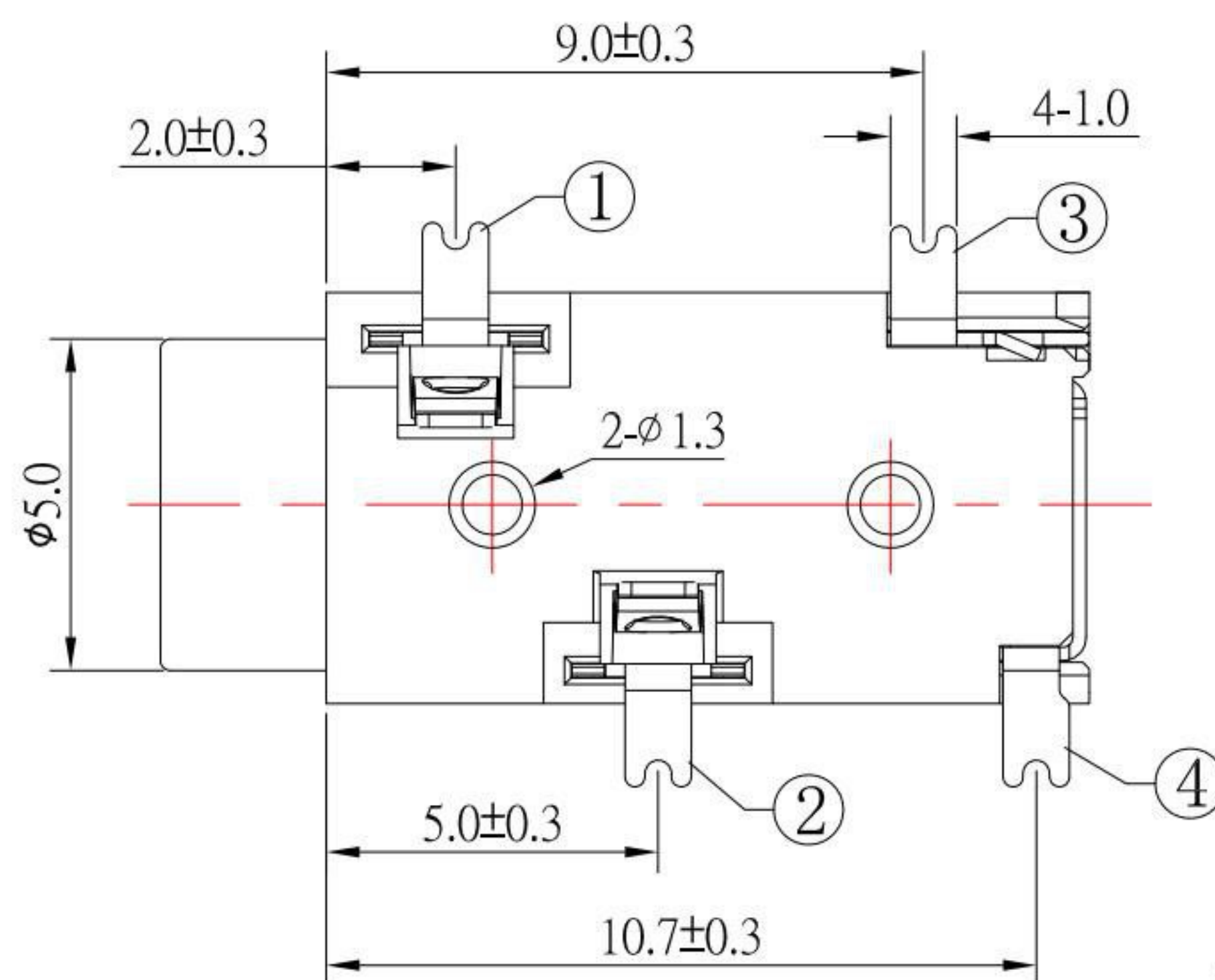
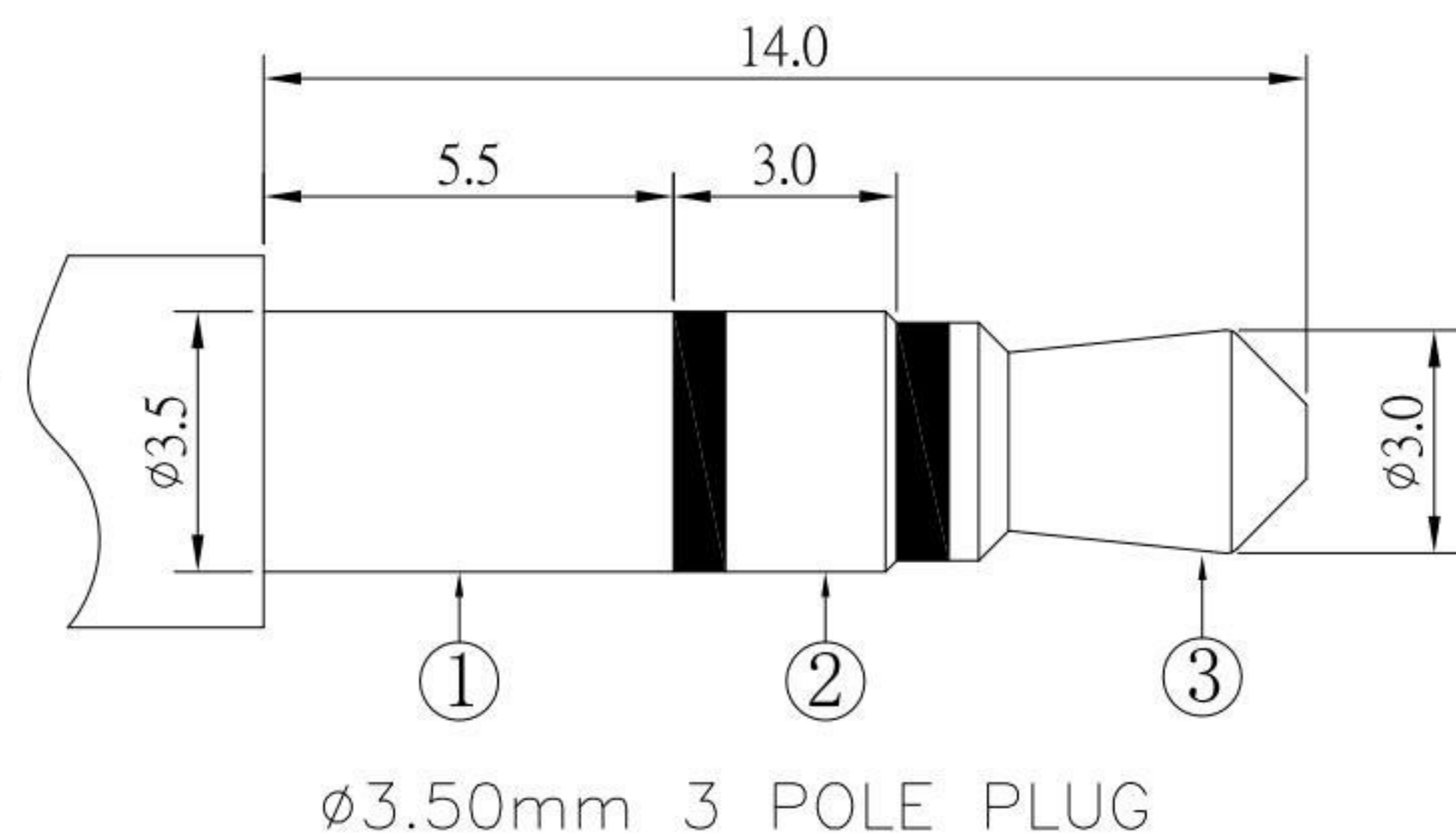
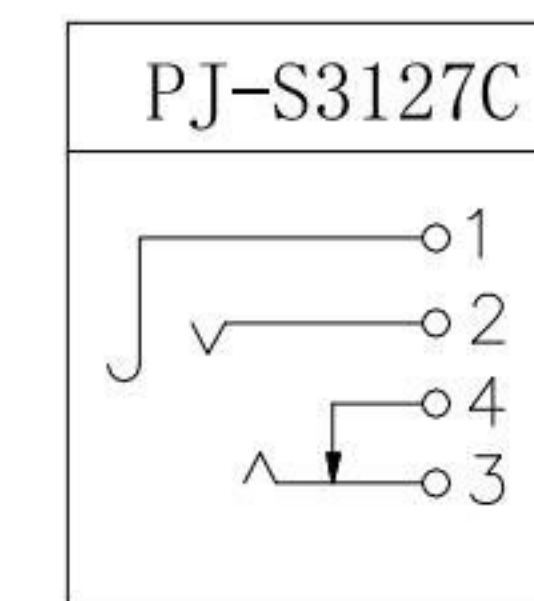


P.C.B LAYOUT
TOP VIEW



SCHMATIC



SPECIFICATION

- 1.Rating : DC 30V , 1.0A ;
- 2.Contact resistance : ≤ 30mΩ ;
- 3.Insulation resistance : ≥ 100MΩ ;
- 4.Withstand voltage : 500VAC ;
- 5.Insertion and extraction force : 3-30N;
- 6.life test : 5,000 cycles °

No	PART NAME	QTY	MATERIAL	REMARK
⑤	HOUSING	1	PA9T	
④	CURVE PIECE	1	BRASS	Sn-Plating
③	SPRING PIECE	1	PHOSPHOR BRONZE	Sn-Plating
②	CONTACT FOOT	1	PHOSPHOR BRONZE	Sn-Plating
①	CONTACT FOOT	1	PHOSPHOR BRONZE	Sn-Plating

KSD 科斯达电子科技有限公司
SWITCH CONNECTOR KSD ELECTRONIC TECHNOLOGY Co., LTD
全球 互联零组件制造企业

TOLERANCE UNLESS OTHERWISE STATED:
Up to 5 ±0.2
Above 5 ~ 15 ±0.3
Above 15 ~ 30 ±0.4
Above 30 ~ 50 ±0.5
Angle ±0.3°

3RD. ANGEL'S

UNITS MM

DRAWN BY:	DATE	MAT'L	TITLE	JACK
Jack Lu	09/19/22		MODLE	PHONE JACK
CHECKED BY:	DATE	FINISH	DWG NO.	PJ-S3127C-S124
Jacky Chen	09/19/22		PART NO.	PJ-S3127C-S124
APPROVED BY:	DATE	SCALE	1 : 1	
Tony Kao	09/19/22	SHEET NO.	1 of 1	

ITEM NO.	DESCRIPTION	DRAWN	DATE
1	更新圖面	Jack	091922