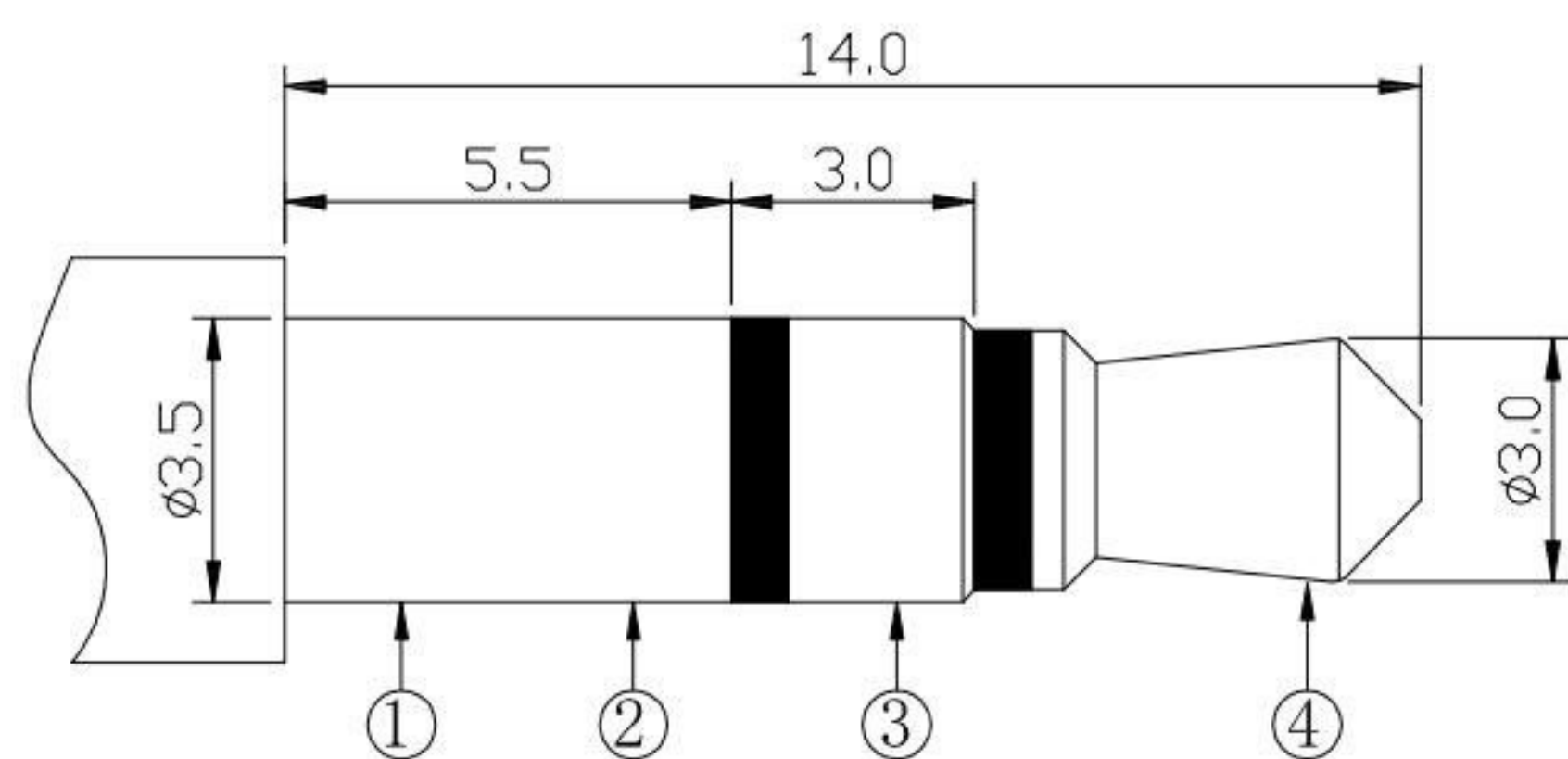
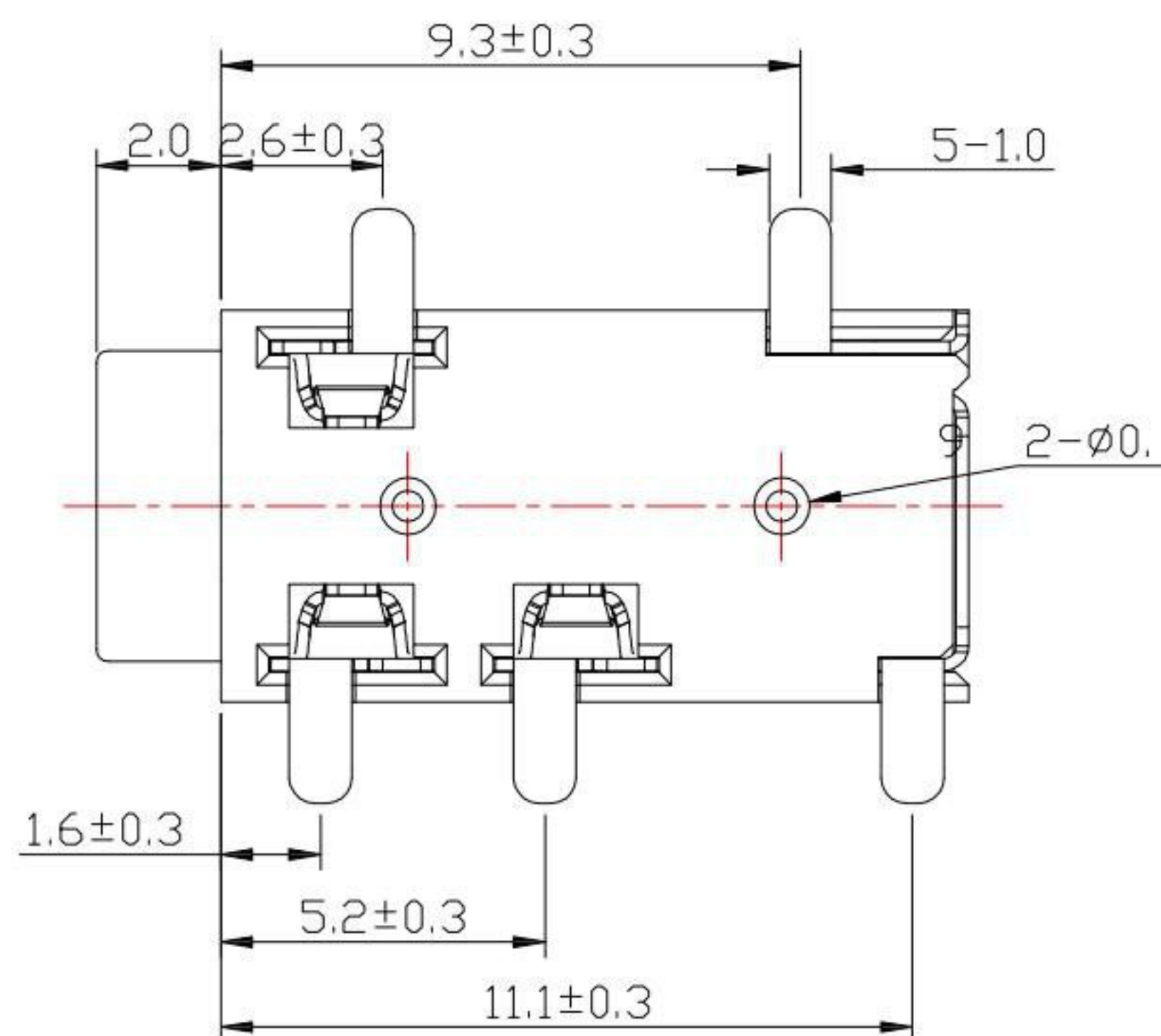


P.C.B LAYOUT
TOP VIEW



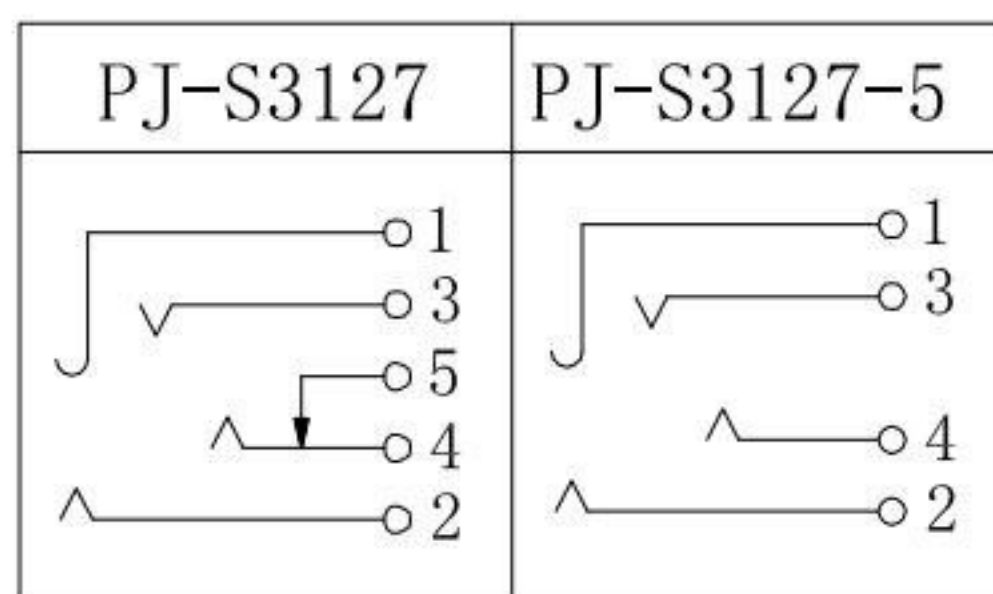
Ø3.50mm 3 POLE PLUG



SPECIFICATION

1. Rating : DC 30V, 1.0A ;
2. Contact resistance : ≤ 30mΩ ;
3. Insulation resistance : ≥ 100MΩ ;
4. Withstand voltage : 500VAC ;
5. Insertion and extraction force : 3-30N;
6. life test : 5,000 cycles .

SCHEMATIC



No	PART NAME	QTY	MATERIAL	REMARK
6	HOUSING	1	PA9T	
5	CONTACT FOOT#5	1	PHOSPHOR BRONZE	Au-Plating
4	CONTACT FOOT#4	1	PHOSPHOR BRONZE	Au-Plating
3	CONTACT FOOT#3	1	PHOSPHOR BRONZE	Au-Plating
2	CONTACT FOOT#2	1	PHOSPHOR BRONZE	Au-Plating
1	CONTACT FOOT#1	1	PHOSPHOR BRONZE	Au-Plating

KSD 科斯达电子科技有限公司
SWITCH CONNECTOR 全球 互联零组件制造企业
KSD ELECTRONIC TECHNOLOGY Co., LTD

TOLERANCE UNLESS OTHERWISE STATED:
Up to 5 ±0.2
Above 5 ~ 15 ±0.3
Above 15 ~ 30 ±0.4
Above 30 ~ 50 ±0.5
Angle ±0.3°

3RD. ANGEL'S

UNITS MM

DRAWN BY:	DATE	MATL	TITLE	JACK
Jack Lu	10/13/22		MODLE	PHONE JACK
CHECKED BY:	DATE	SCALE	DWG NO.	PJ-S3127-x-S124
Jacky Chen	10/13/22	1:1	PART NO.	PJ-S3127-x-S124
APPROVED BY:	DATE	SHEET NO.	1 of 1	
Tony Kao	10/13/22			

ITEM NO.	DESCRIPTION	DRAWN	DATE
3	更新圖面尺寸公差	Jack	101322
2	新增plug對應pin位置	Jack	083017
1	更新為A0版	Jack	052417

SIZE
A4
VER
R3