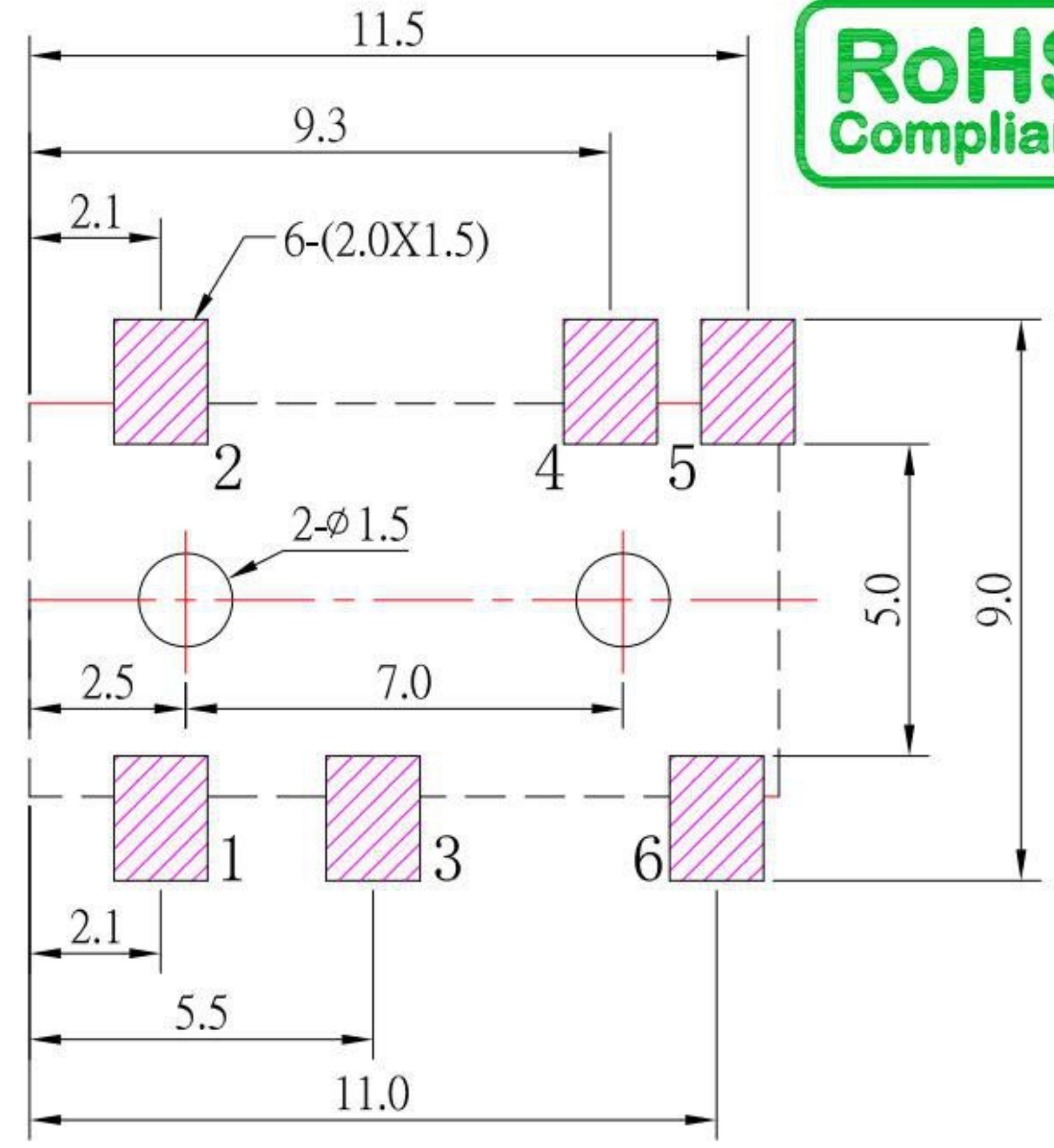
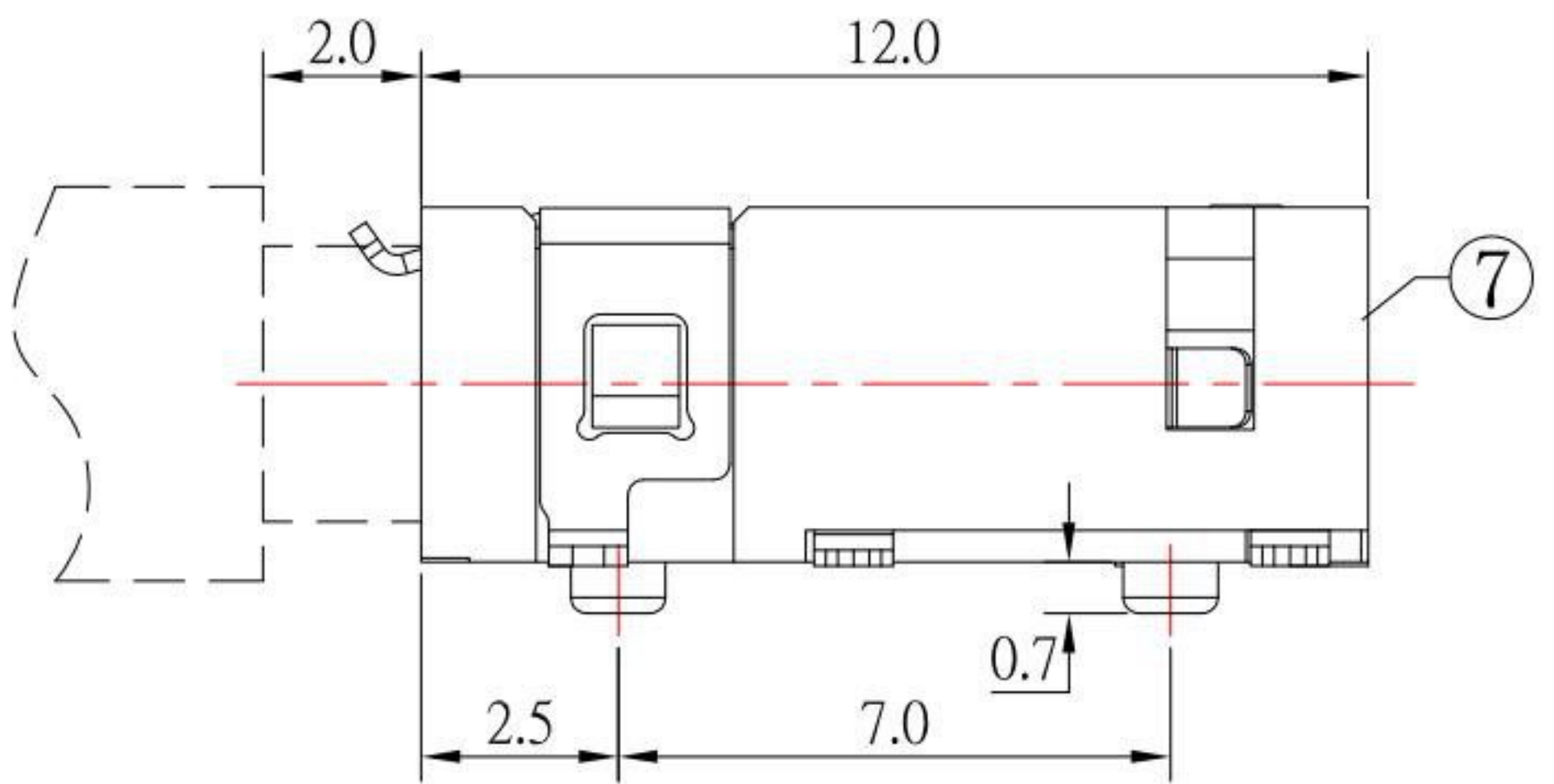
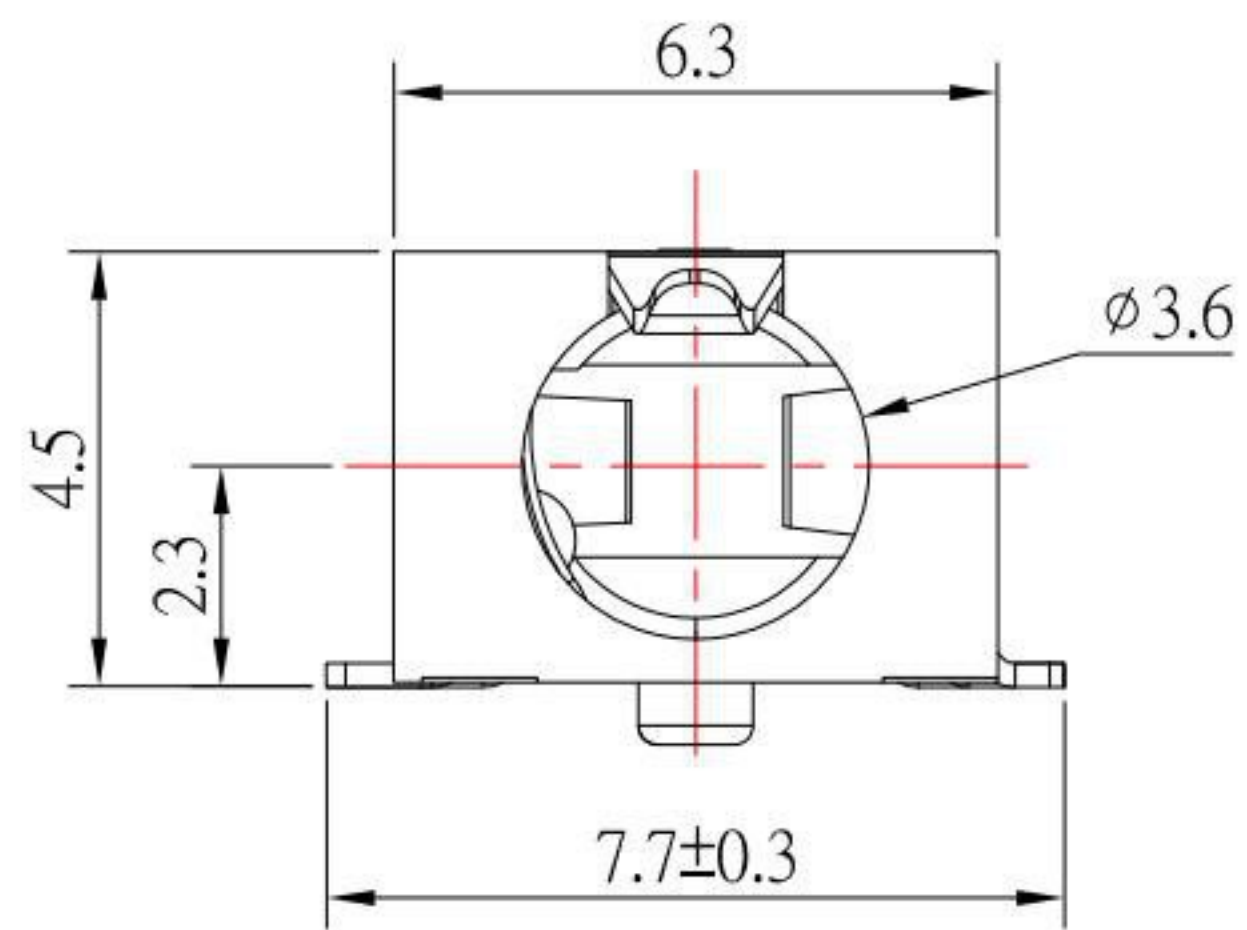
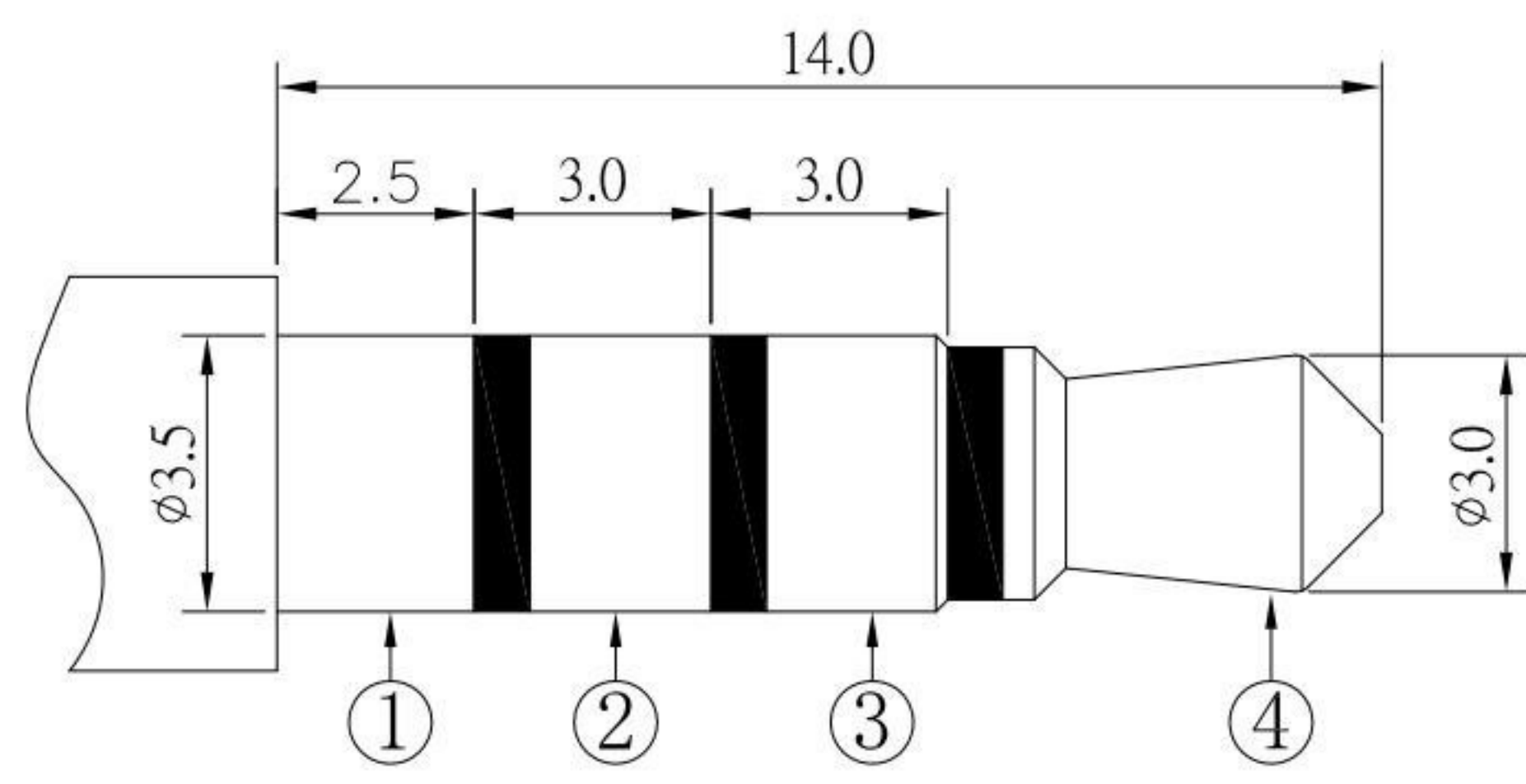


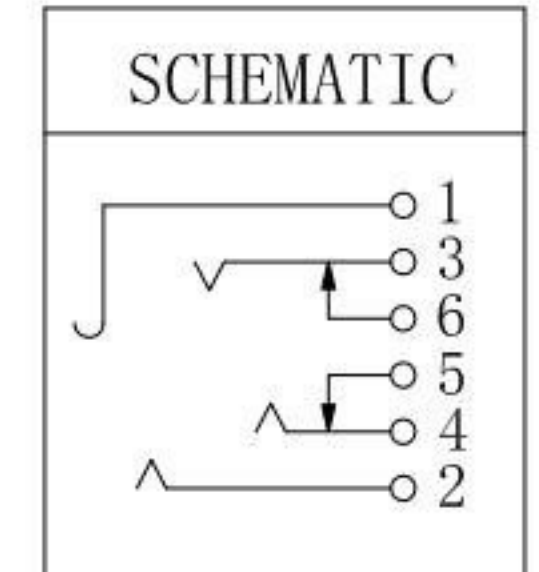
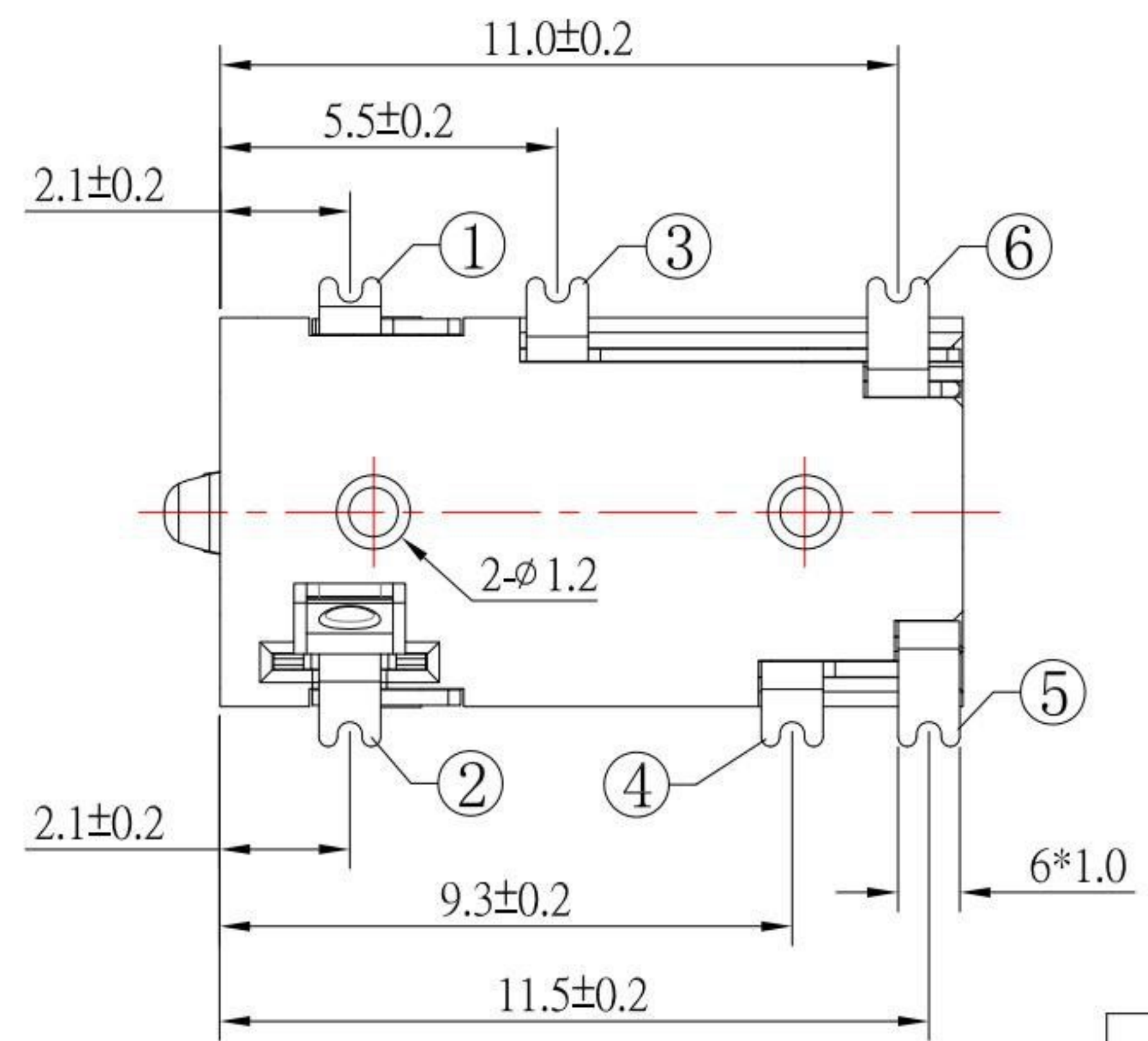
A B C D E F G H I J



P.C.B LAYOUT
TOP VIEW



φ3.50mm 4 POLE PLUG



SPECIFICATION

- 1. Rating : DC 30V 0.5A ;
- 2. Contact resistance : ≤ 30mΩ ;
- 3. Insulation resistance : ≥ 100MΩ ;
- 4. Withstand voltage : 500VAC ;
- 5. Insertion and extraction force : 3-30N ;
- 6. Life test : 5,000 cycles °

NO.	DESCRIPTION	QTY	MATERIAL	PLATING
7	HOUSING	1	PA9T	
6	6# CONTACT FOOT	1	PHOSPHOR BRONZE	Au-Plating
5	5# CONTACT FOOT	1	PHOSPHOR BRONZE	Au-Plating
4	4# CONTACT FOOT	1	PHOSPHOR BRONZE	Au-Plating
3	3# CONTACT FOOT	1	PHOSPHOR BRONZE	Au-Plating
2	2# CONTACT FOOT	1	PHOSPHOR BRONZE	Au-Plating
1	1# CONTACT FOOT	1	PHOSPHOR BRONZE	Au-Plating

KSD 科斯达电子科技有限公司
 SWITCH CONNECTOR KSD ELECTRONIC TECHNOLOGY Co., LTD
 全球 互联零组件制造企业

TOLERANCE UNLESS OTHERWISE STATED :
 Up to 5 ±0.2
 Above 5 ~ 15 ±0.3
 Above 15 ~ 30 ±0.4
 Above 30 ~ 50 ±0.5
 Angle ±0.3°

3RD. ANGEL'S

UNITS MM

DRAWN BY:	DATE	MAT'L	TITLE	JACK
Jack Lu	08/25/22		MODLE	PHONE JACK
CHECKED BY:	DATE	FINISH	DWG NO.	PJ-S3142XS-S124
Jacky Chen	08/25/22		PART NO.	PJ-S3142XS-S124
APPROVED BY:	DATE	SCALE	SHEET NO.	1 of 1
Tony Kao	08/25/22	1 : 1		

ITEM NO.	DESCRIPTION	DRAWN	DATE

A B C D E F G H I J