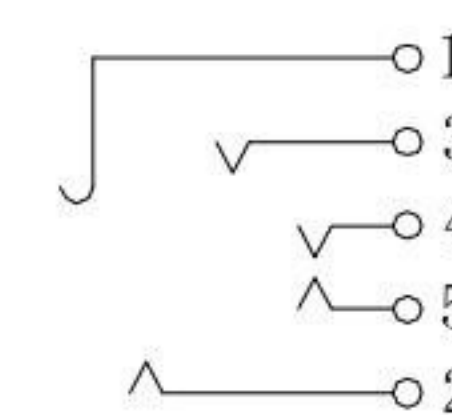
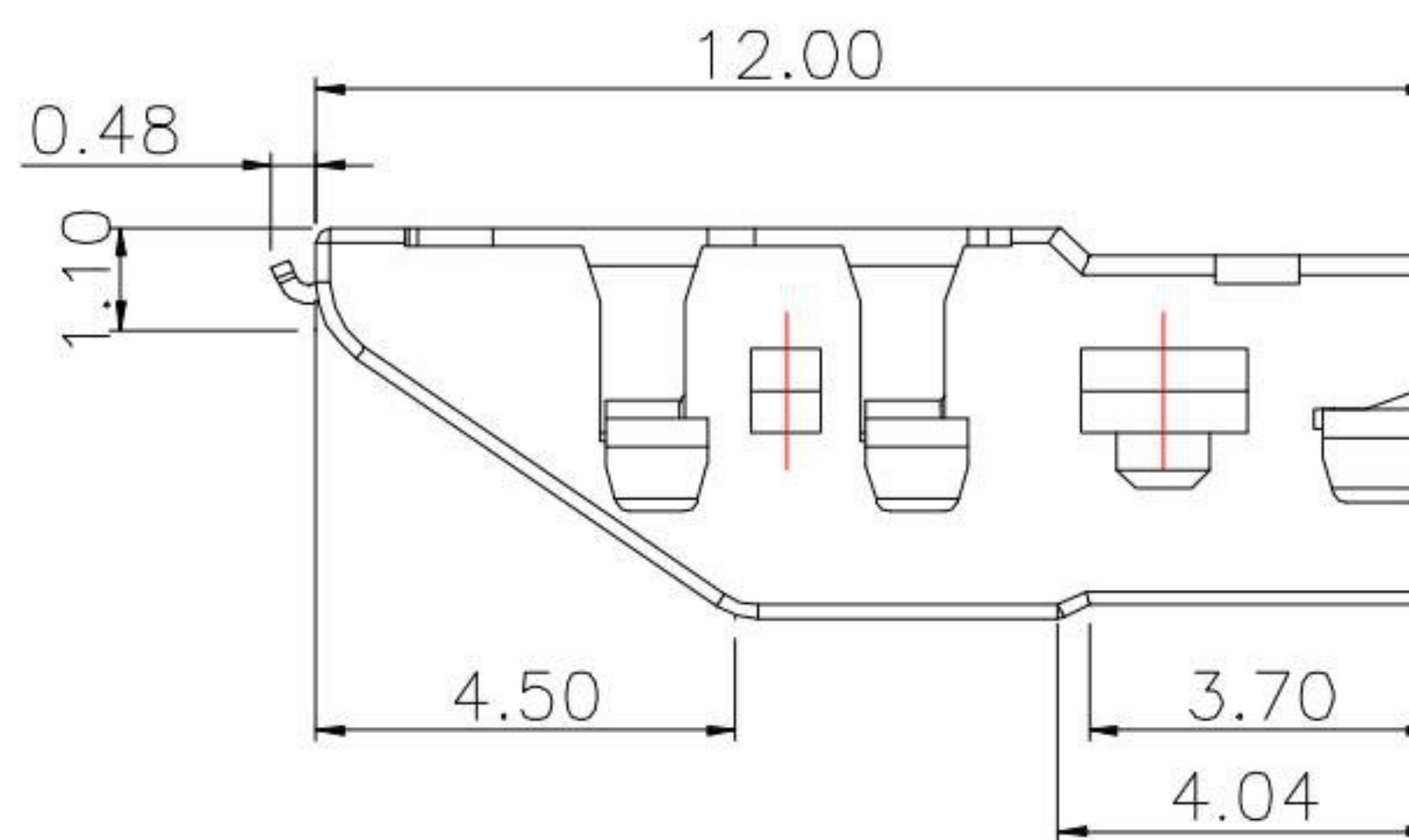
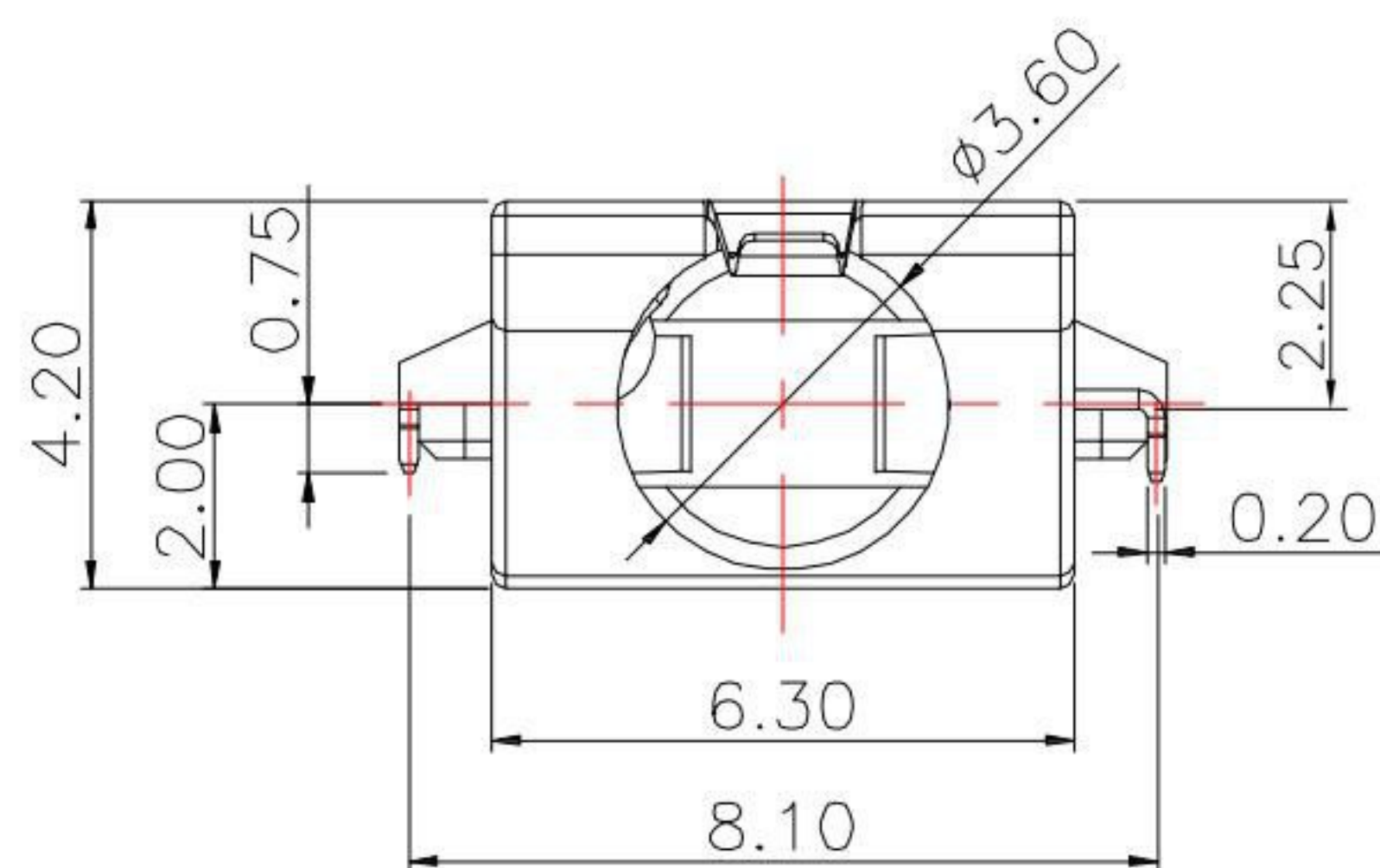
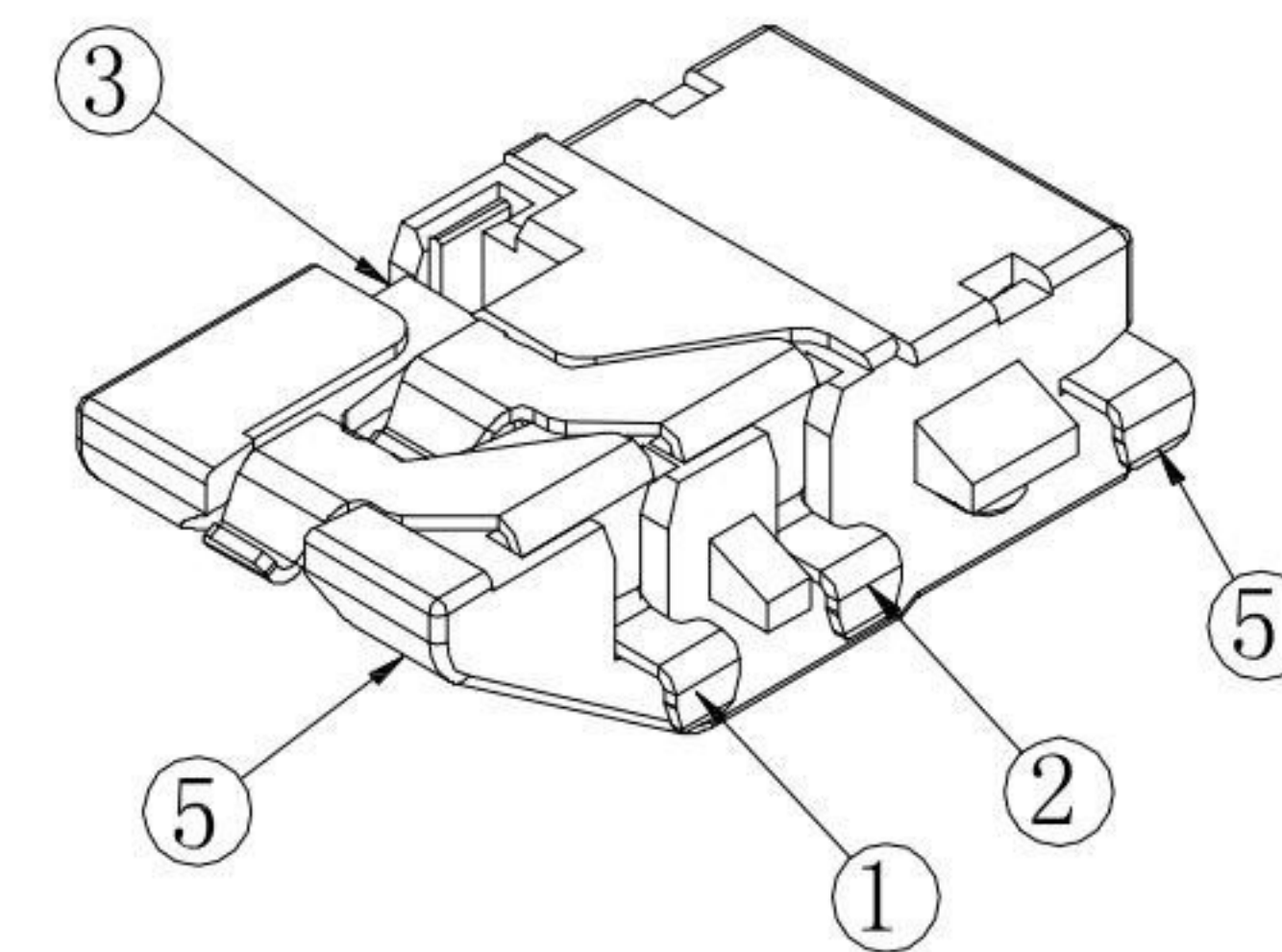


PCB LAYOUT



SCHEMATIC

SPECIFICATION

- 1. Rating : DC 30V 0.5A
- 2. Contact resistance :  $\leq 30m\Omega$
- 3. Insulation resistance :  $\geq 100M\Omega$
- 4. Withstand voltage : 500VAC
- 5. Insertion and extraction force : 3-30N
- 6. life test : 5,000 cycles

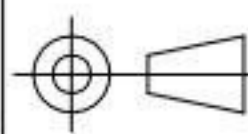
NO.	DESCRIPTION	QTY	MATERIAL	REMARK
5	HOUSING	1	PA9T	
4	CONTACT FOOT #4	1	PHOSPHOR BRONZE	Au-Plating
3	CONTACT FOOT #3	1	PHOSPHOR BRONZE	Au-Plating
2	CONTACT FOOT #2	1	PHOSPHOR BRONZE	Au-Plating
1	CONTACT FOOT #1	1	PHOSPHOR BRONZE	Au-Plating

**KSD** 科斯达电子科技有限公司  
 SWITCH CONNECTOR KSD ELECTRONIC TECHNOLOGY Co., LTD  
 全球 互 联 零 组 件 制 造 企 业

ITEM NO.	DESCRIPTION	DRAWN	DATE
2	更新MODLE及新增尺寸	Jack	110415
1	更新圖面	Jack	102015

TOLERANCE UNLESS OTHERWISE STATED:  
 Up to 5  $\pm 0.2$   
 Above 5 ~ 15  $\pm 0.3$   
 Above 15 ~ 30  $\pm 0.4$   
 Above 30 ~ 50  $\pm 0.5$   
 Angle  $\pm 0.3^\circ$

3RD. ANGEL'S



UNITS MM

DRAWN BY:	DATE	MAT'L	TITLE	JACK
Jack Lu	11/04/15		MODLE	PHONE JACK 板上高 2.25mm
CHECKED BY:	DATE	FINISH	DWG NO.	SIZE
Jacky Chen	11/04/15		PJ-S3178-S125	A4
APPROVED BY:	DATE	SCALE	PART NO.	VER
Tony Kao	11/04/15	1:1	PJ-S3178-S125	R2
SHEET NO.	1 of 1			