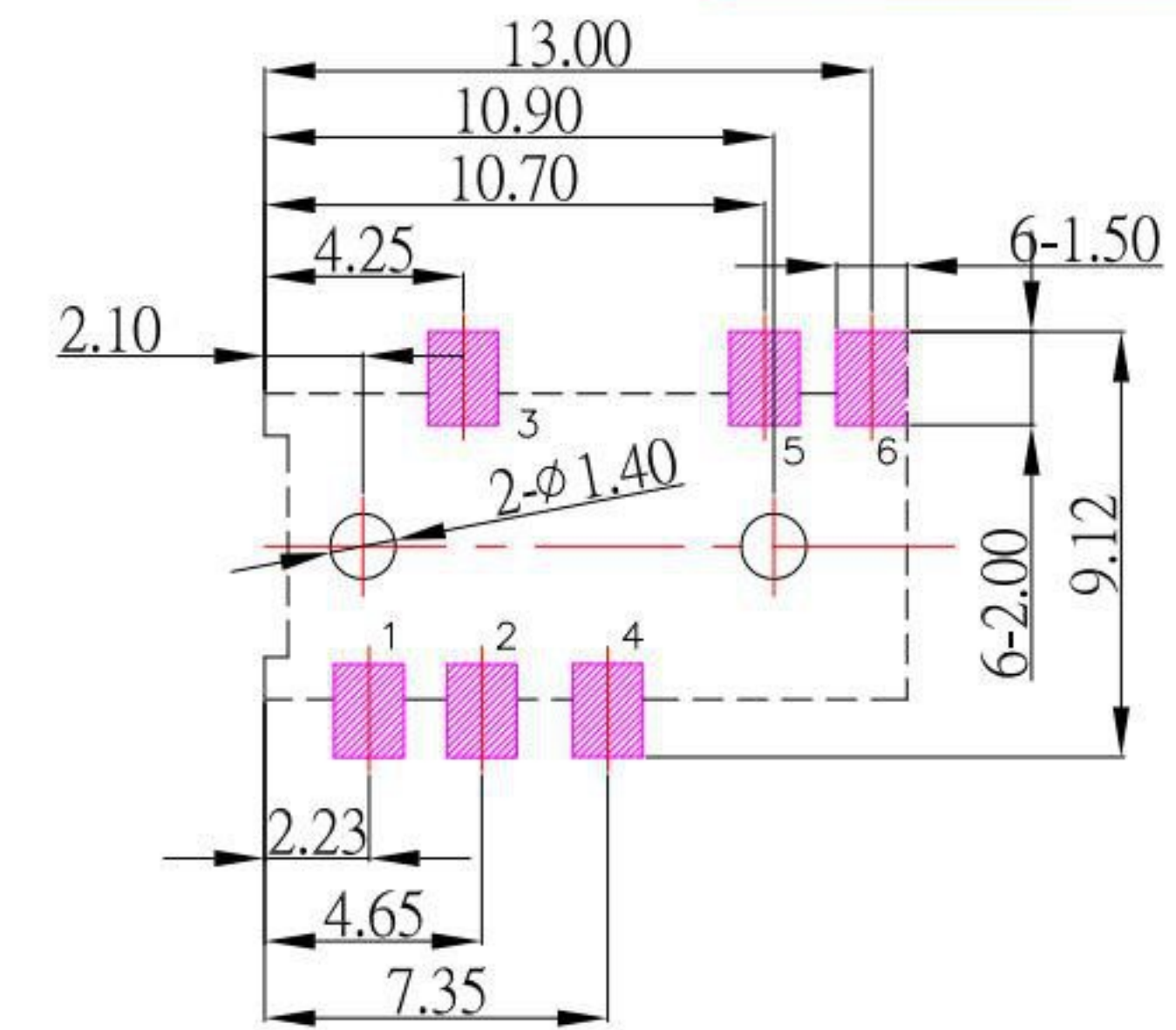
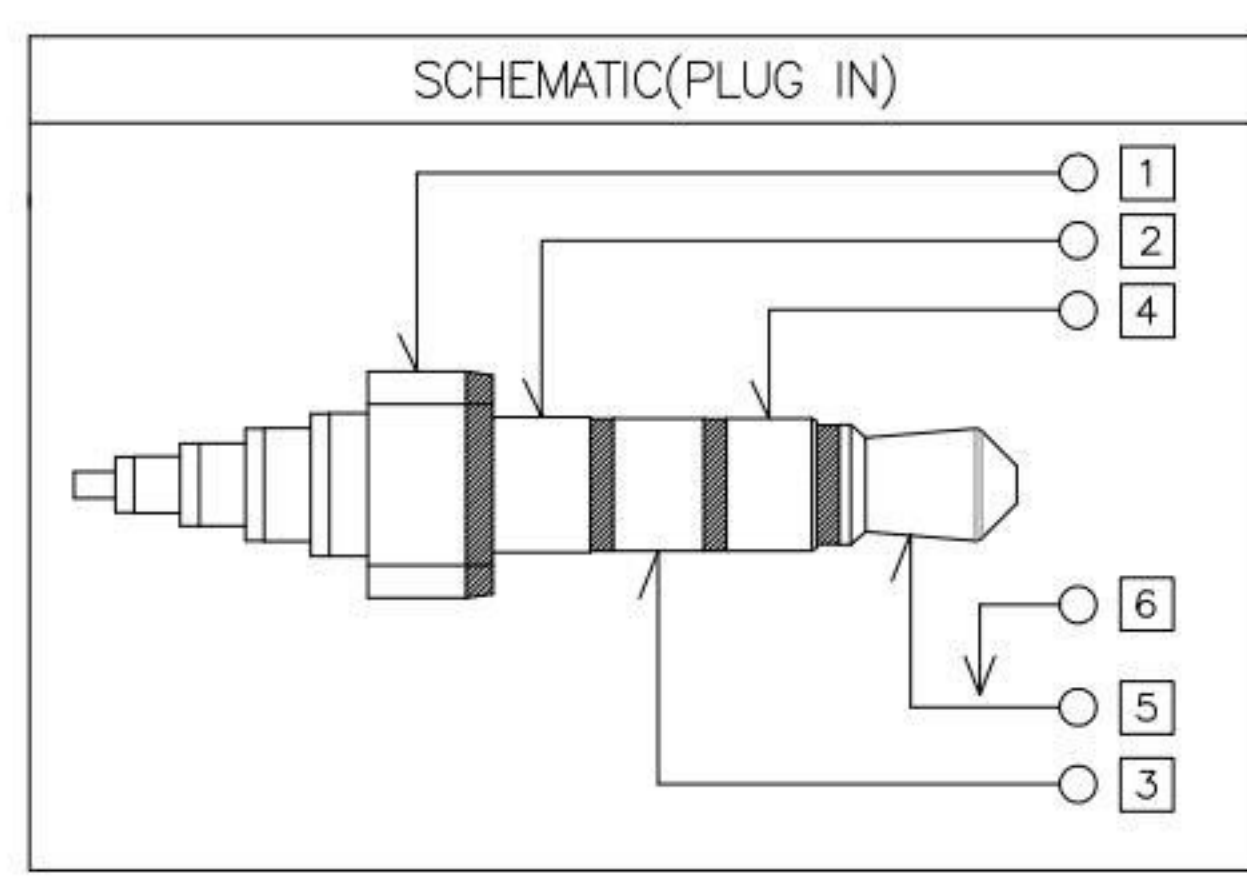
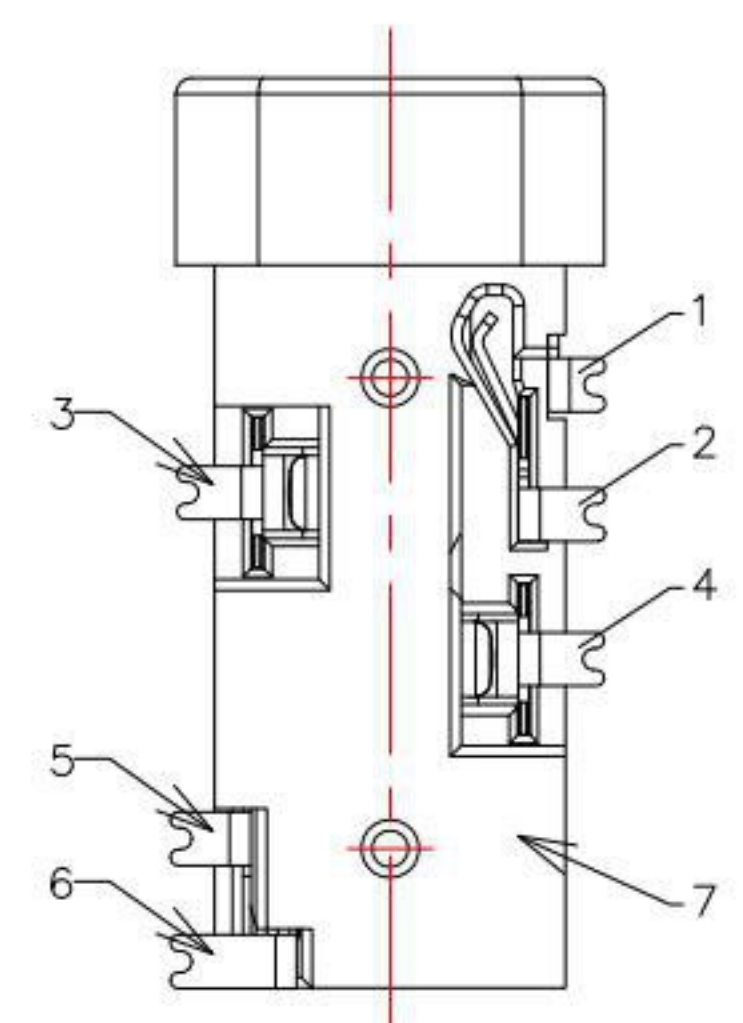
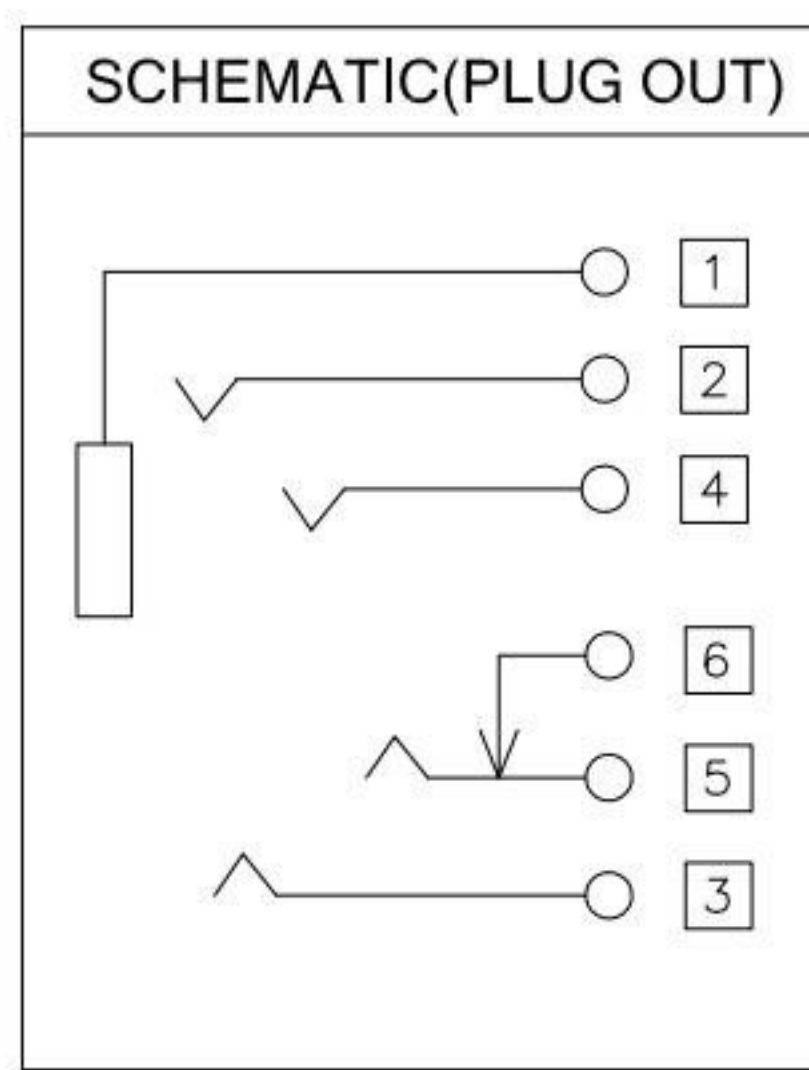
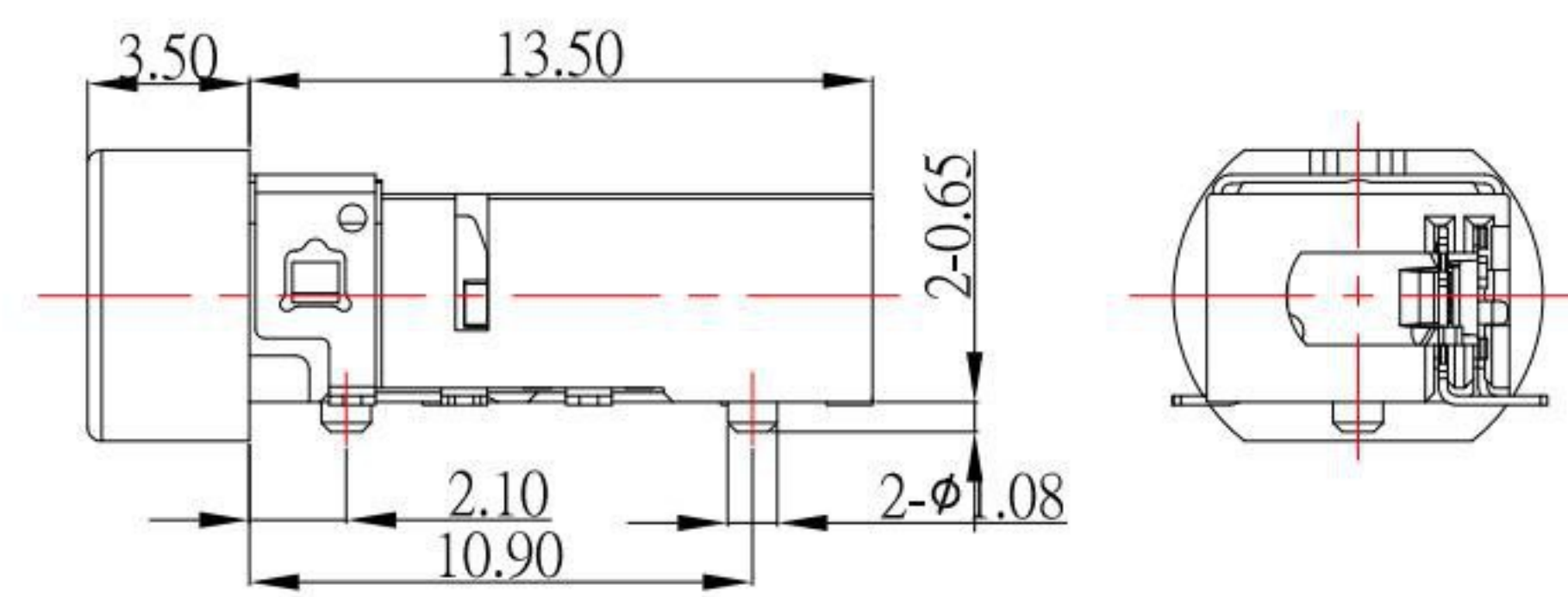
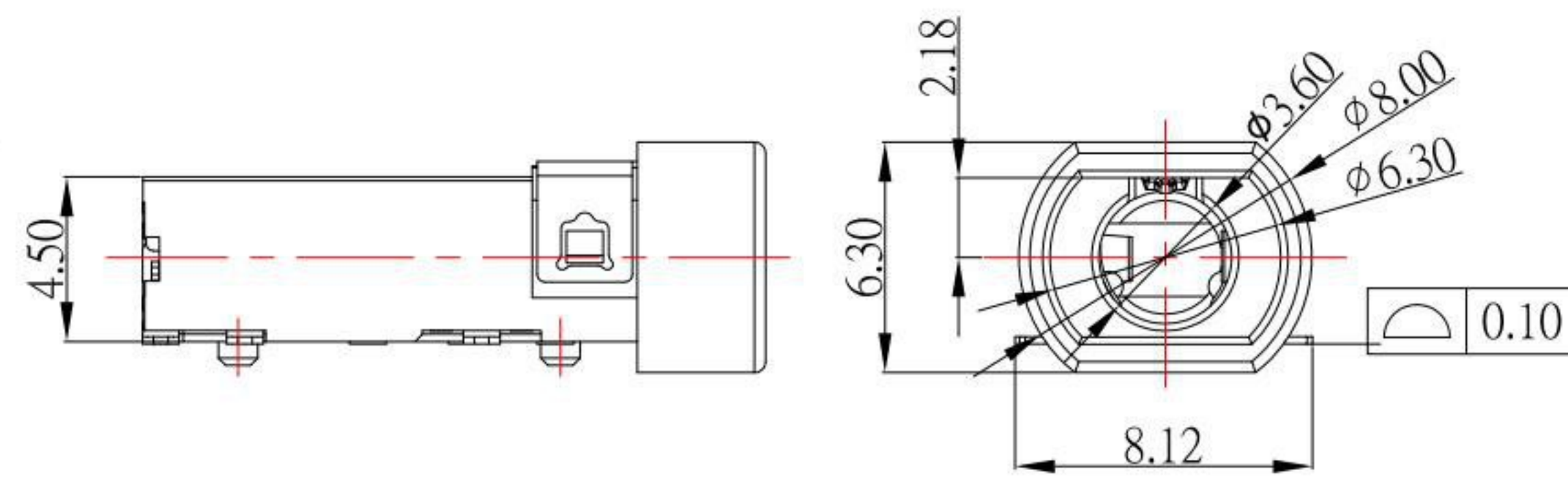


($\phi 3.50\text{mm}$ 5 POLE PLUG DETAIL DRAWING)



P.C.B LAYOUT MOUNTING PATTERN (TOP VIEW)



SPECIFICATION

- 1. Rating : DC 12V , 1.0A ;
- 2. Contact resistance : $\leq 50\text{m}\Omega$;
- 3. Insulation resistance : $\geq 100\text{M}\Omega$;
- 4. Withstand voltage : 500VAC ;
- 5. Insertion and extraction force : 3-30N
- 6. life test : 5,000 cycles °

ITEM	NAME	Q'TY	DESCRIPTION
7	HOUSING	1	HIGH TEMPERATURE PLASTIC, COLOR BLACK
6	TERMINAL 6#	1	PHOSPHOR BRONZE; NICKEL UNDER PLATING OVERALL, GOLD PLATING ON SOLDER AREA ; GOLD PLATING ON CONTACT AREA
5	TERMINAL 5#	1	STAINLESS STEEL; NICKEL UNDER PLATING OVERALL, GOLD FLASH PLATING ON SOLDER AREA ; GOLD FLASH PLATING ON CONTACT AREA
4	TERMINAL 4#	1	PHOSPHOR BRONZE; GOLD FLASH ON CONTACT AREA; GOLD FLASH PLATING ON SOLDER TAIL AREA, ALL OVER NICKEL PLATED
3	TERMINAL 3#	1	
2	TERMINAL 2#	1	PHOSPHOR BRONZE; THE BOTTOM OF THE NICKEL; THE WHOLE GOLD PLATING.
1	TERMINAL 1#	1	

KSD 科斯达电子科技有限公司
 SWITCH CONNECTOR KSD ELECTRONIC TECHNOLOGY Co., LTD
 全球 互联零组件制造企业

TOLERANCE UNLESS OTHERWISE STATED:	Up to 5 ± 0.2	Above 5 ~ 15 ± 0.3	Above 15 ~ 30 ± 0.4	Above 30 ~ 50 ± 0.5	Angle $\pm 0.3^\circ$
	3RD. ANGEL'S	UNITS	MM		

DRAWN BY:	DATE	MAT'L	TITLE	JACK
Jack Lu	08/07/20		MODLE	3.5 PHONE JACK 5 POLES
CHECKED BY:	DATE	FINISH	DWG NO.	PJ-S53061-S214
Jacky Chen	08/07/20		PART NO.	PJ-S53061-S214
APPROVED BY:	DATE	SCALE	1 : 1	
Tony Kao	08/07/20	SHEET NO.	1 of 1	

ITEM NO.	DESCRIPTION	DRAWN	DATE
1	更新圖面	Jack	080720