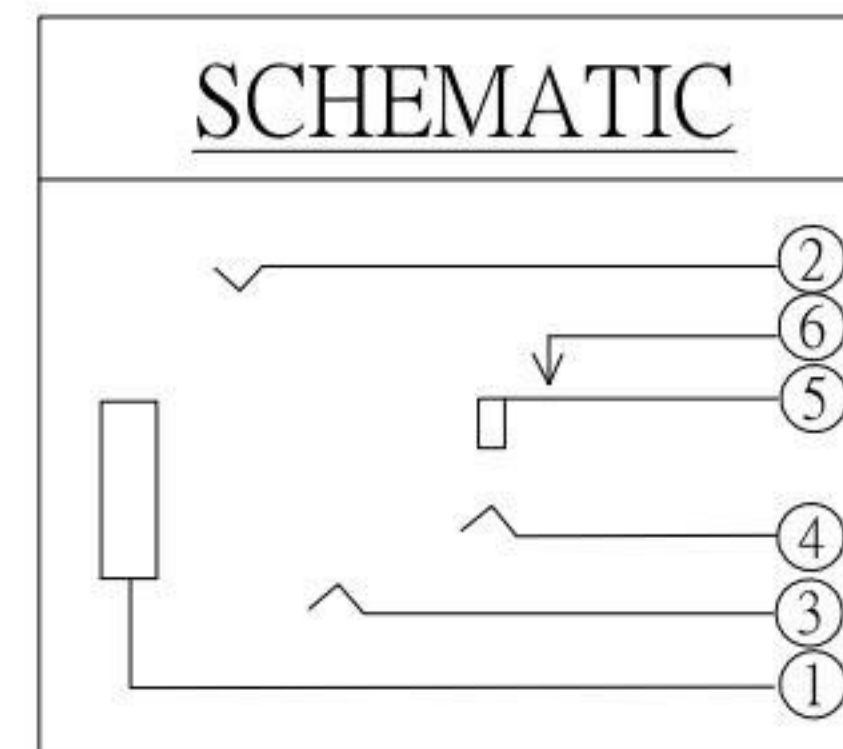
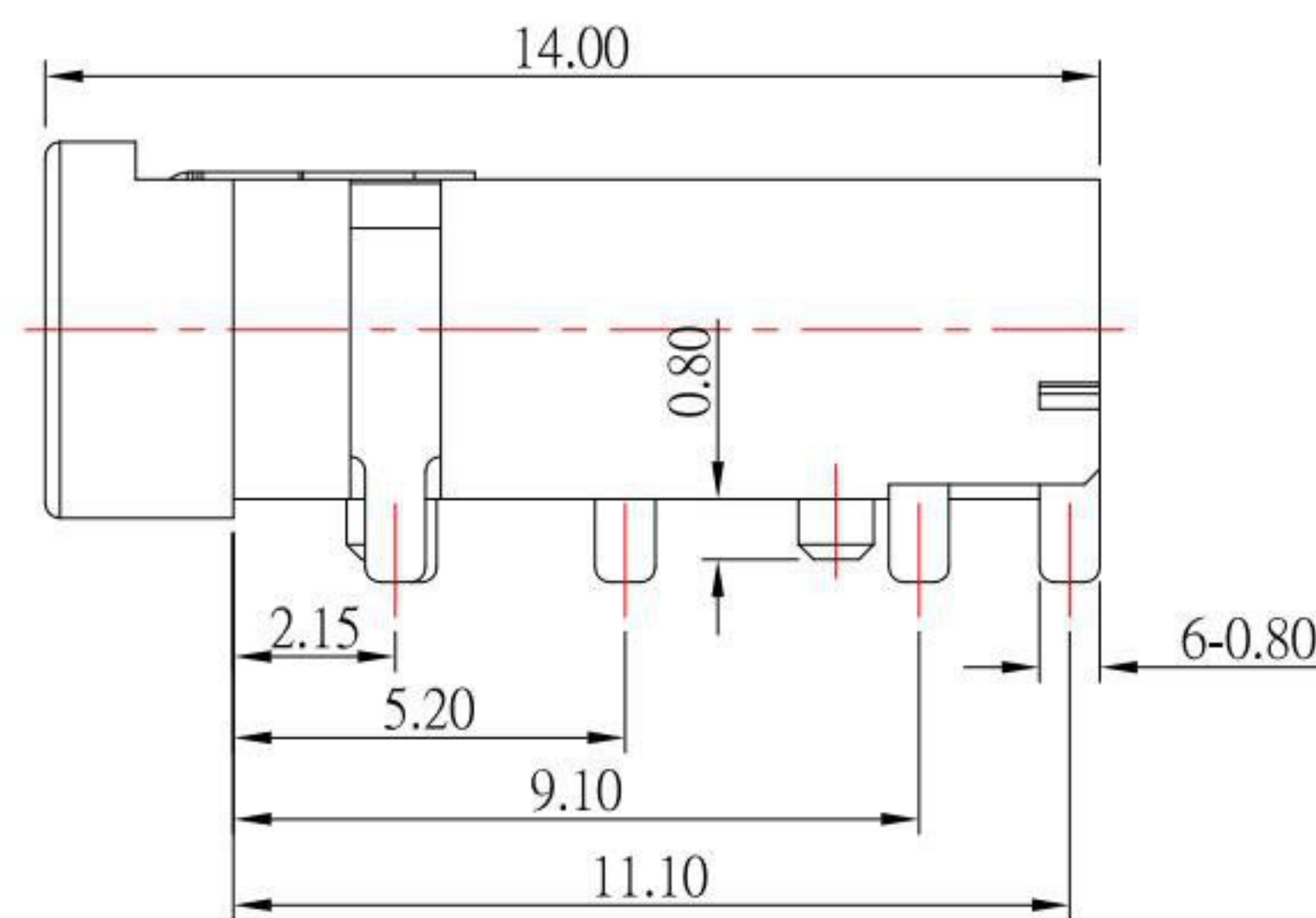
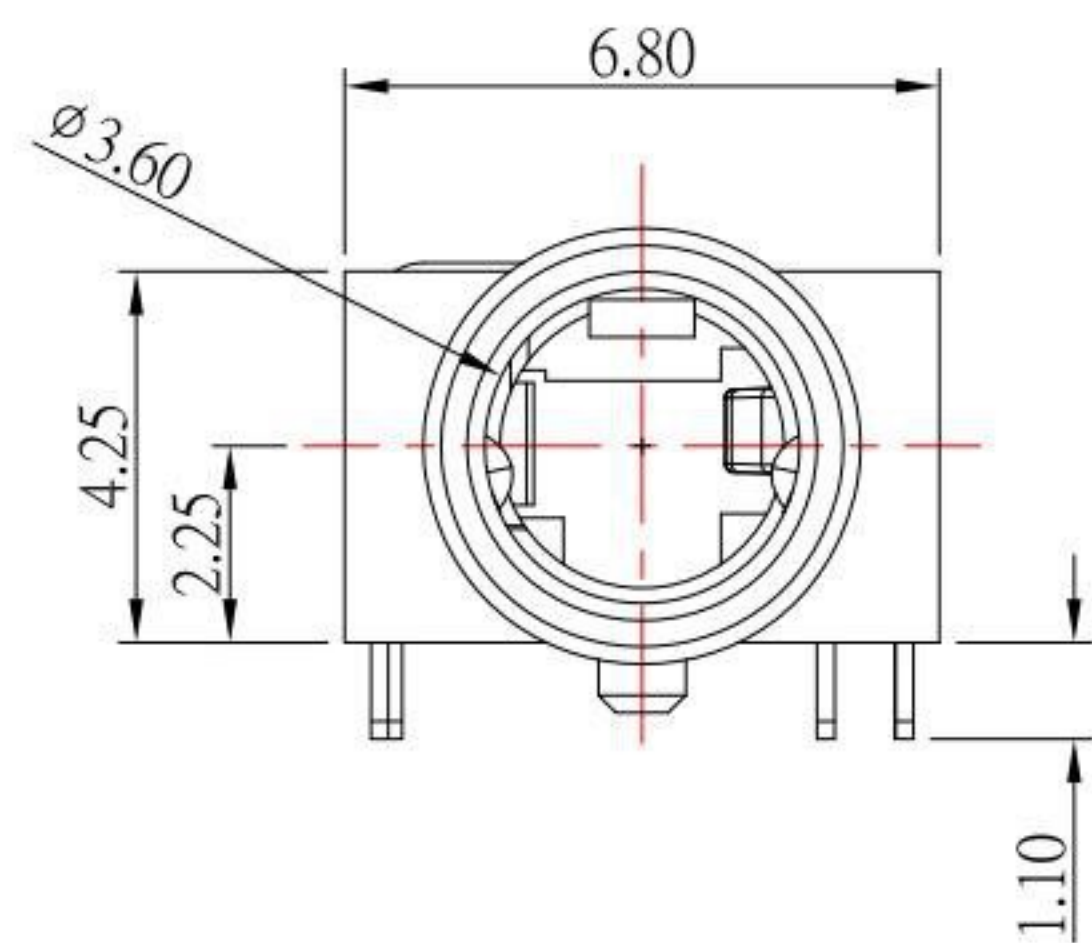
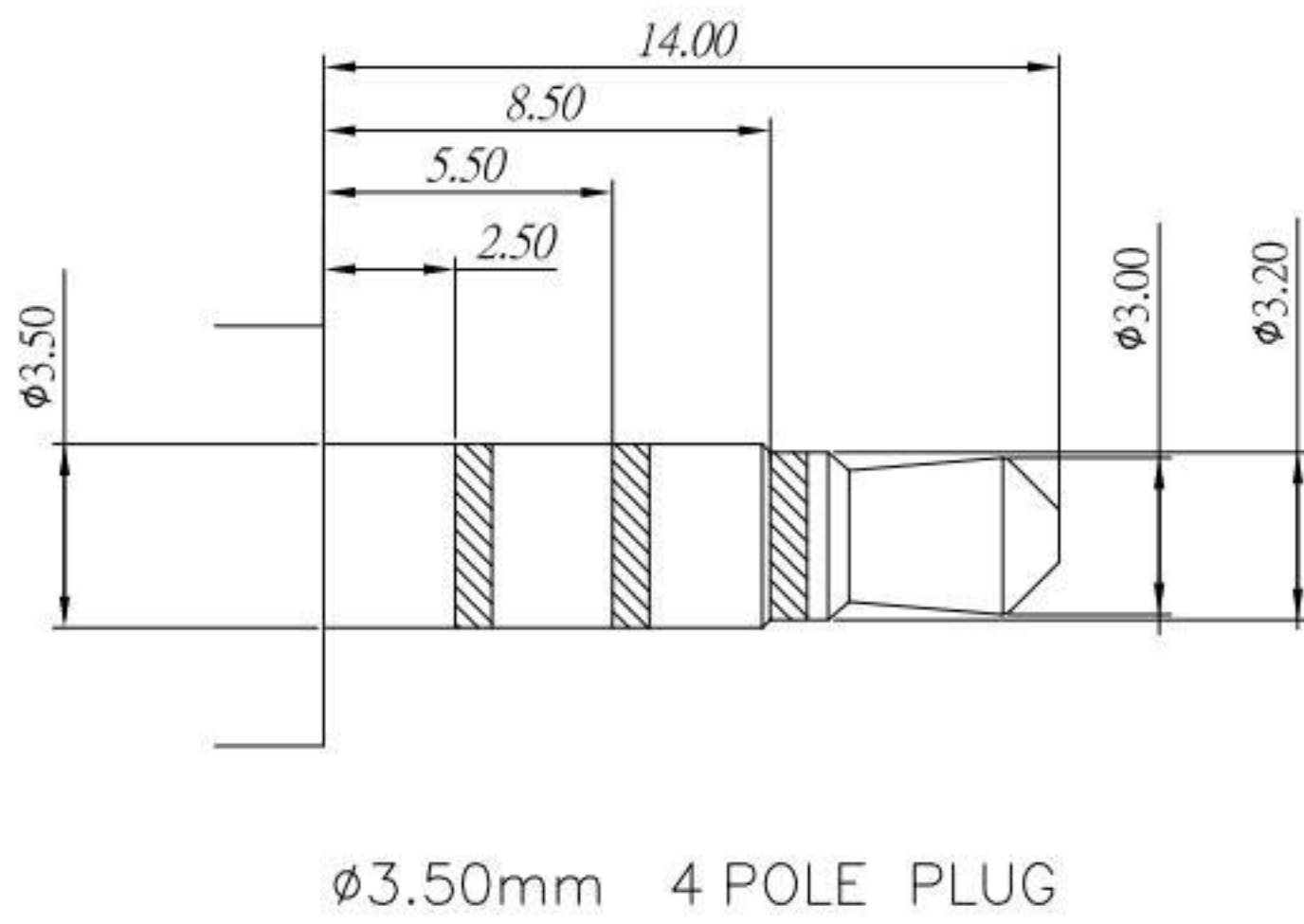


P.C.B LAYOUT

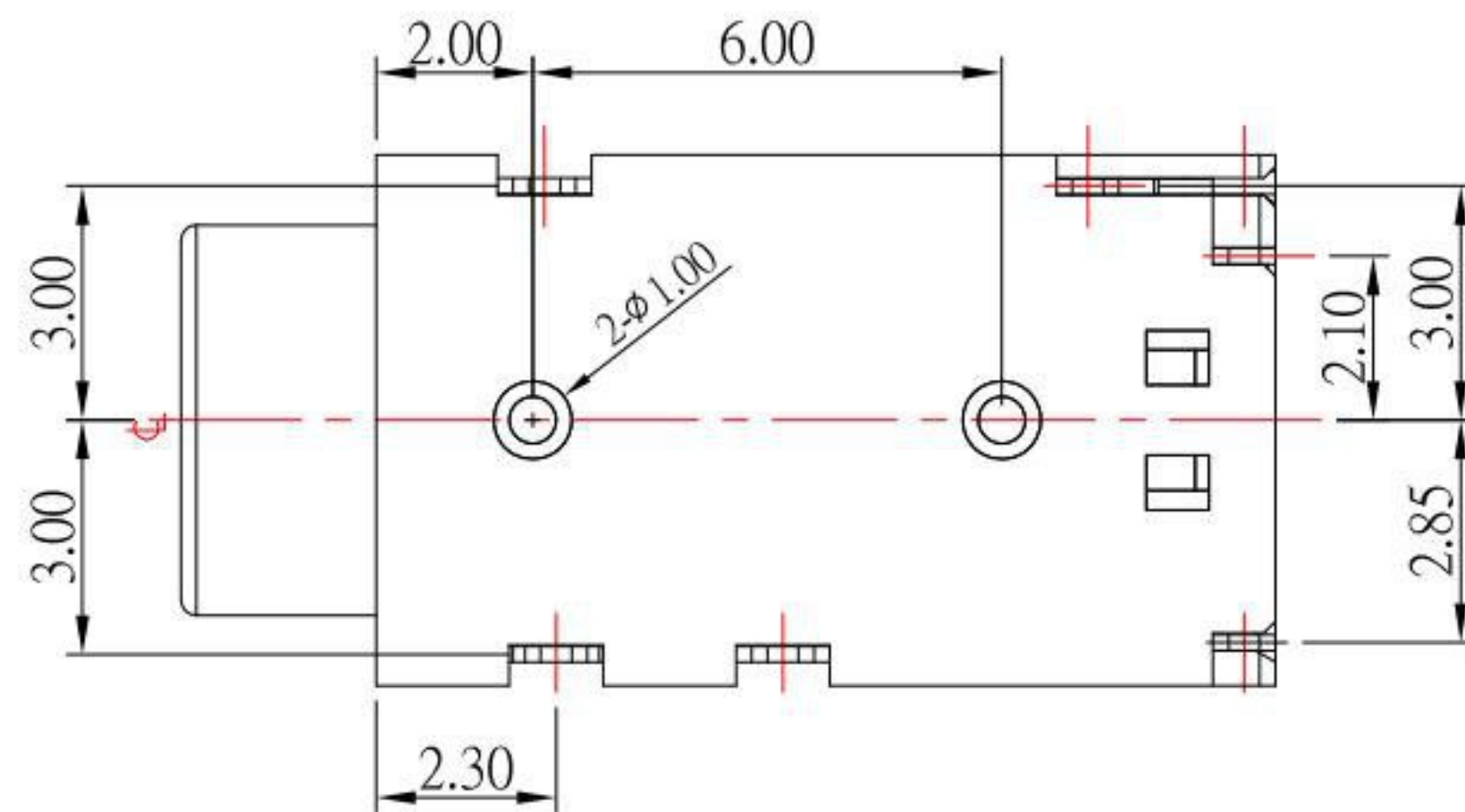


SPECIFICATION

1. Rating : DC 5V , 0.5A ;
2. Contact resistance :  $\leq 70m\Omega$  ;
3. Insulation resistance :  $\geq 100M\Omega$  ;
4. Withstand voltage : 500VAC ;
5. Insertion and extraction force : 3-20N;
6. life test : 5,000 cycles .



φ3.50mm 4 POLE PLUG



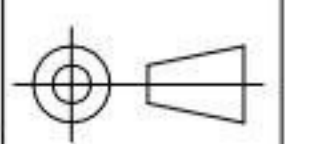
φ3.50mm 3 POLE PLUG

NO.	DESCRIPTION	QTY	MATERIAL	REMARK
9	INSERT MOLDING	1	PA10T(BLACK)	
8	HOUSING	1	PA10T(BLACK)	
7	7# CONTACT FOOT	1	SUS	
6	6# CONTACT FOOT	1	PHOSPHOR BRONZE	Au Plating over Ni
5	5# CONTACT FOOT	1	PHOSPHOR BRONZE	Au Plating over Ni
4	4# CONTACT FOOT	1	PHOSPHOR BRONZE	Au Plating over Ni
3	3# CONTACT FOOT	1	PHOSPHOR BRONZE	Au Plating over Ni
2	2# CONTACT FOOT	1	PHOSPHOR BRONZE	Au Plating over Ni
1	1# CONTACT FOOT	1	PHOSPHOR BRONZE	Au Plating over Ni

**KSD** 科斯达电子科技有限公司  
 SWITCH CONNECTOR KSD ELECTRONIC TECHNOLOGY Co., LTD  
 全球 互联网 零组件 制造企业

TOLERANCE UNLESS OTHERWISE STATED :  
 Up to 5 ±0.2  
 Above 5 ~ 15 ±0.3  
 Above 15 ~ 30 ±0.4  
 Above 30 ~ 50 ±0.5  
 Angle ±0.3

3RD. ANGEL'S



UNITS MM

DRAWN BY:	DATE	MAT'L	TITLE	JACK
Jack Lu	07/21/22		MODLE	PHONE JACK
CHECKED BY:	DATE	FINISH	DWG NO.	PJ-T32338-S214
Jacky Chen	07/21/22		PART NO.	PJ-T32338-S214
APPROVED BY:	DATE	SCALE	1 : 1	
Tony Kao	07/21/22	SHEET NO.	1 of 1	

ITEM NO.	DESCRIPTION	DRAWN	DATE
4	更新鍍層	Jack	072122
3	新增PLUG和編號對應圖	Jack	092821
2	更新樣式及更新料號	Jack	083121
1	更新材質	Jack	073021

SIZE A4  
 VER R4