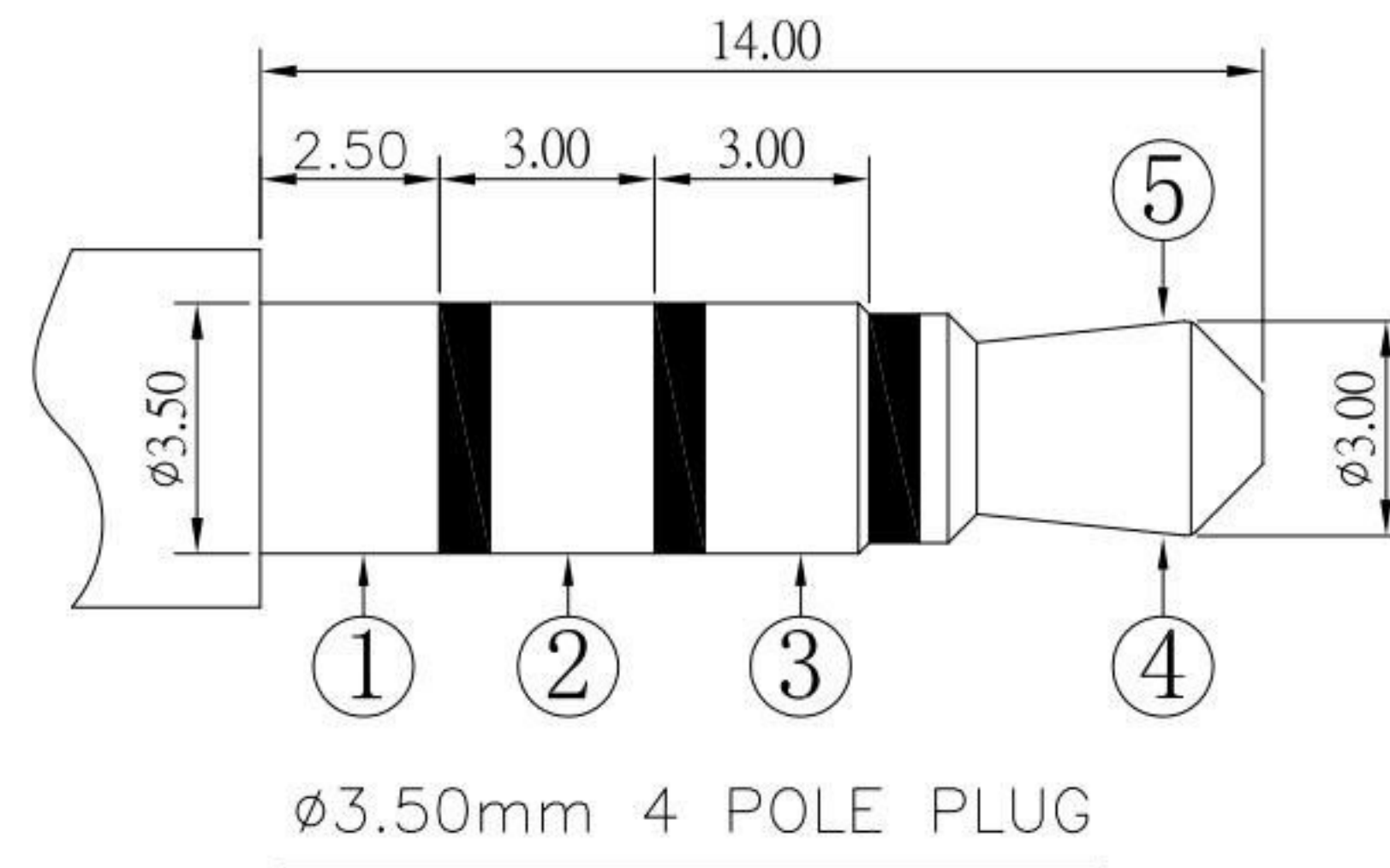
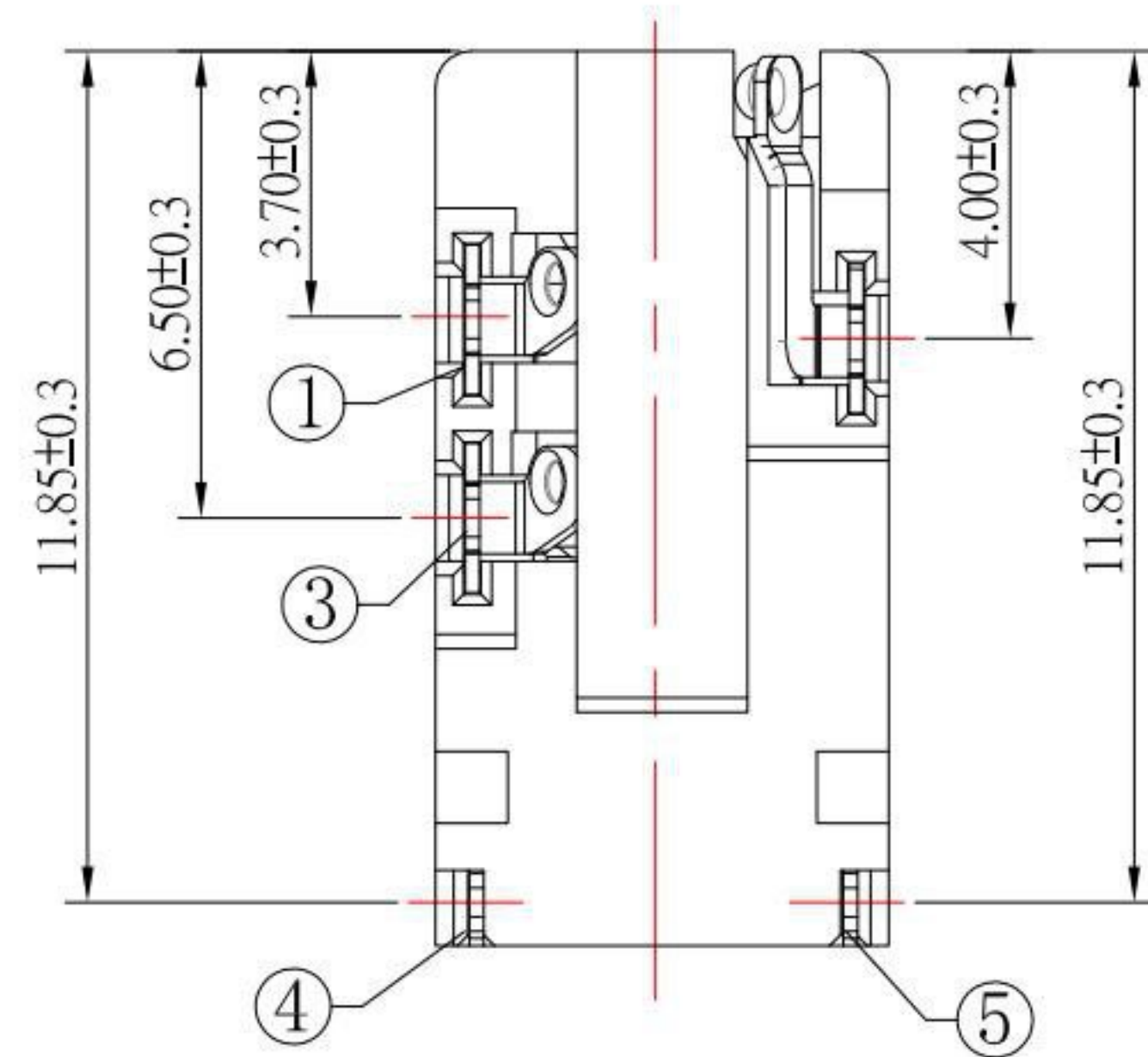
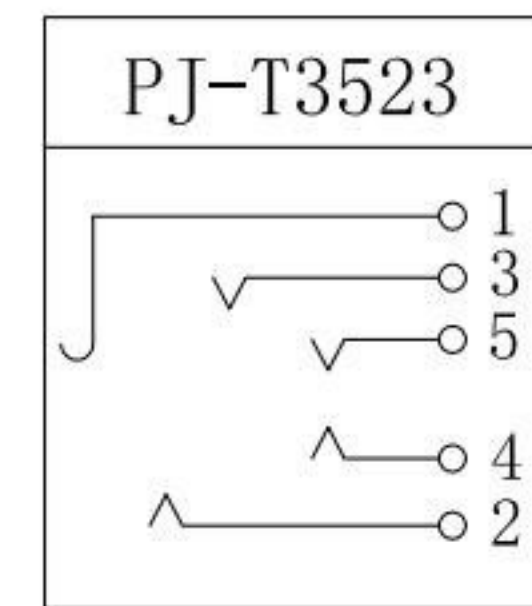


P.C.B LAYOUT  
TOP VIEW



SCHMATIC



SPECIFICATION

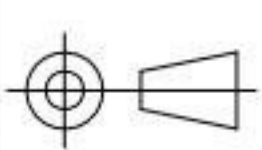
1. Rating : DC 30V , 1.0A ;
2. Contact resistance : ≤ 30mΩ ;
3. Insulation resistance : ≥ 100MΩ ;
4. Withstand voltage : 500VAC ;
5. Insertion and extraction force : 3-30N;
6. life test : 5,000 cycles °

No	PART NAME	QTY	MATERIAL	REMARK
⑥	HOUSING	1	PA9T	
⑤	5# CONTACT FOOT	1	SUS	Au-Plating
④	4# CONTACT FOOT	1	SUS	Au-Plating
③	3# CONTACT FOOT	1	PHOSPHOR BRONZE	Au-Plating
②	2# CONTACT FOOT	1	PHOSPHOR BRONZE	Au-Plating
①	1# CONTACT FOOT	1	PHOSPHOR BRONZE	Au-Plating

**KSD** 科斯达电子科技有限公司  
SWITCH CONNECTOR KSD ELECTRONIC TECHNOLOGY Co., LTD  
全球 互联零组件制造企业

TOLERANCE UNLESS OTHERWISE STATED:  
 Up to 5 ±0.2  
 Above 5 ~ 15 ±0.3  
 Above 15 ~ 30 ±0.4  
 Above 30 ~ 50 ±0.5  
 Angle ±0.3°

3RD. ANGEL'S



UNITS

MM

DRAWN BY:	DATE	MAT'L	TITLE	JACK
Jack Lu	11/08/21		MODLE	PHONE JACK
CHECKED BY:	DATE	FINISH	DWG NO.	PJ-T3523-S124
Jacky Chen	11/08/21		PART NO.	PJ-T3523-S124
APPROVED BY:	DATE	SCALE	1:1	
Tony Kao	11/08/21	SHEET NO.	1 of 1	

ITEM NO.	DESCRIPTION	DRAWN	DATE
1	更新料號	Jack	110821

SIZE  
A4  
VER  
R1