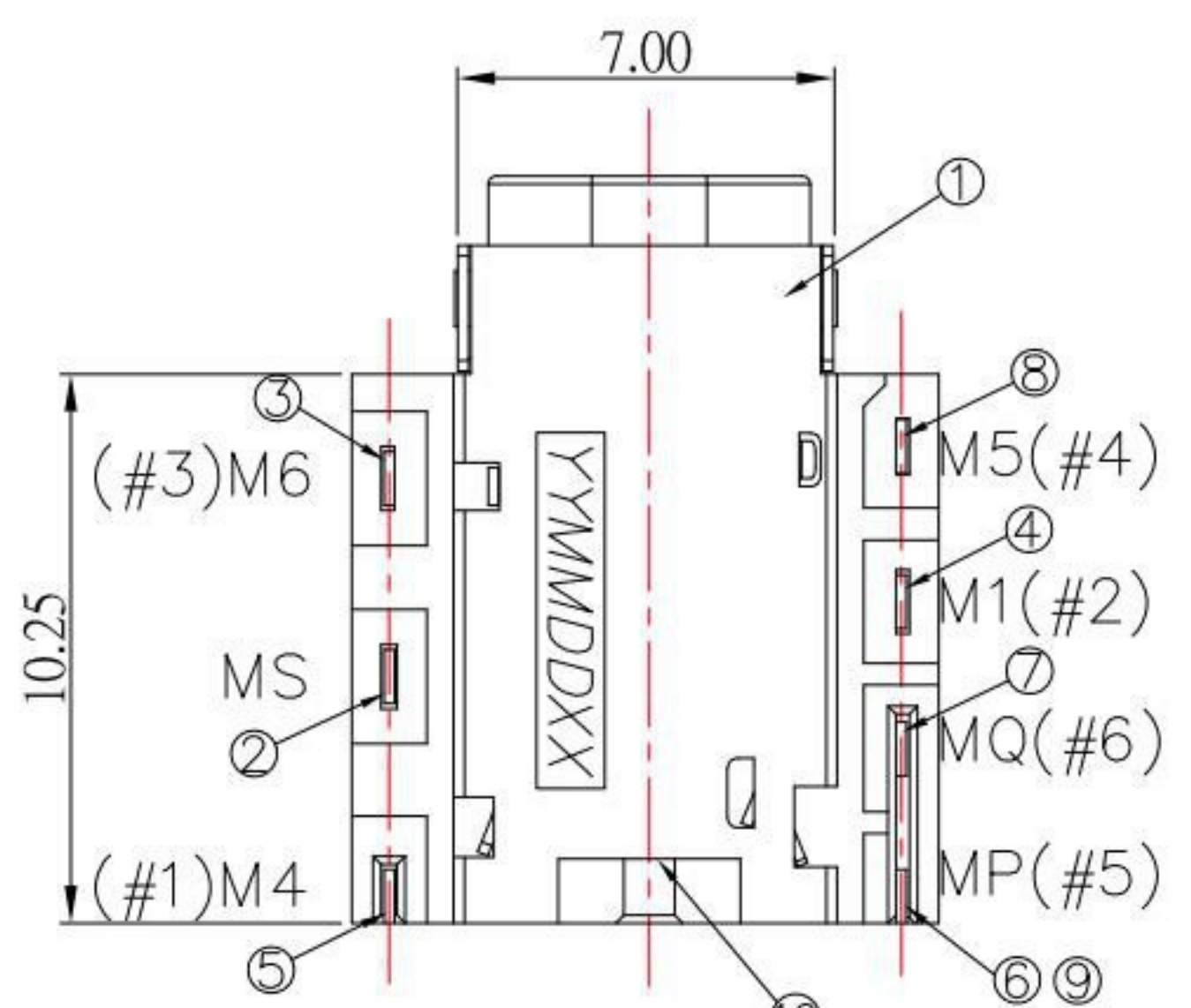


SPECIFICATION

- 1.Contact resistance : $\leq 50m\Omega$;
- 2.Insulation resistance : $\geq 100M\Omega$;
- 3.Withstand voltage : 250VAC ;
- 4.Insertion and extraction force : 3-30N;
- 5.life test : 5,000 cycles .

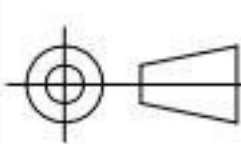
ITEM	DESCRIPTIONs	MATERIAL	FINISH	Q'TY
⑩	DUMMY PIN	STAINLESS STEEL	-	1
⑨	SEPARATOR	PA9T	BLACK	1
⑧	M5_CONTACT	C5210	GOLD FLASH ON CONTACT AREA.AND SOLDER AREA ALL OVER Ni	1
⑦	MQ_SHUNT	C5210		1
⑥	MP_CONTACT	C5210		1
⑤	M4_CONTACT	C5210		1
④	M1_CONTACT	C5210	Ni	1
③	M6_CONTACT	C5210		1
②	MS_SHELL	C5210	Ni	1
①	P1_HOUSING	PA9T	BLACK	1



KSD 科斯达电子科技有限公司
 SWITCH CONNECTOR KSD ELECTRONIC TECHNOLOGY Co., LTD
 全球 互联零组件制造企业

TOLERANCE UNLESS OTHERWISE STATED :
 Up to 5 ±0.2
 Above 5 ~ 15 ±0.3
 Above 15 ~ 30 ±0.4
 Above 30 ~ 50 ±0.5
 Angle ±0.3

3RD. ANGEL'S



UNITS MM

DRAWN BY: Jack Lu
 CHECKED BY: Jacky Chen
 APPROVED BY: Tony Kao

DATE: 11/09/22
 DATE: 11/09/22
 DATE: 11/09/22

MAT'L	TITLE	JACK
FINISH	MODLE	PHONE JACK
SCALE 1:1	DWG NO.	PJ-T3R8A-HF-S214
SHEET NO. 1 of 1	PART NO.	PJ-T3R8A-HF-S214

ITEM NO.	DESCRIPTION	DRAWN	DATE

7

7

SIZE A4
 VER R