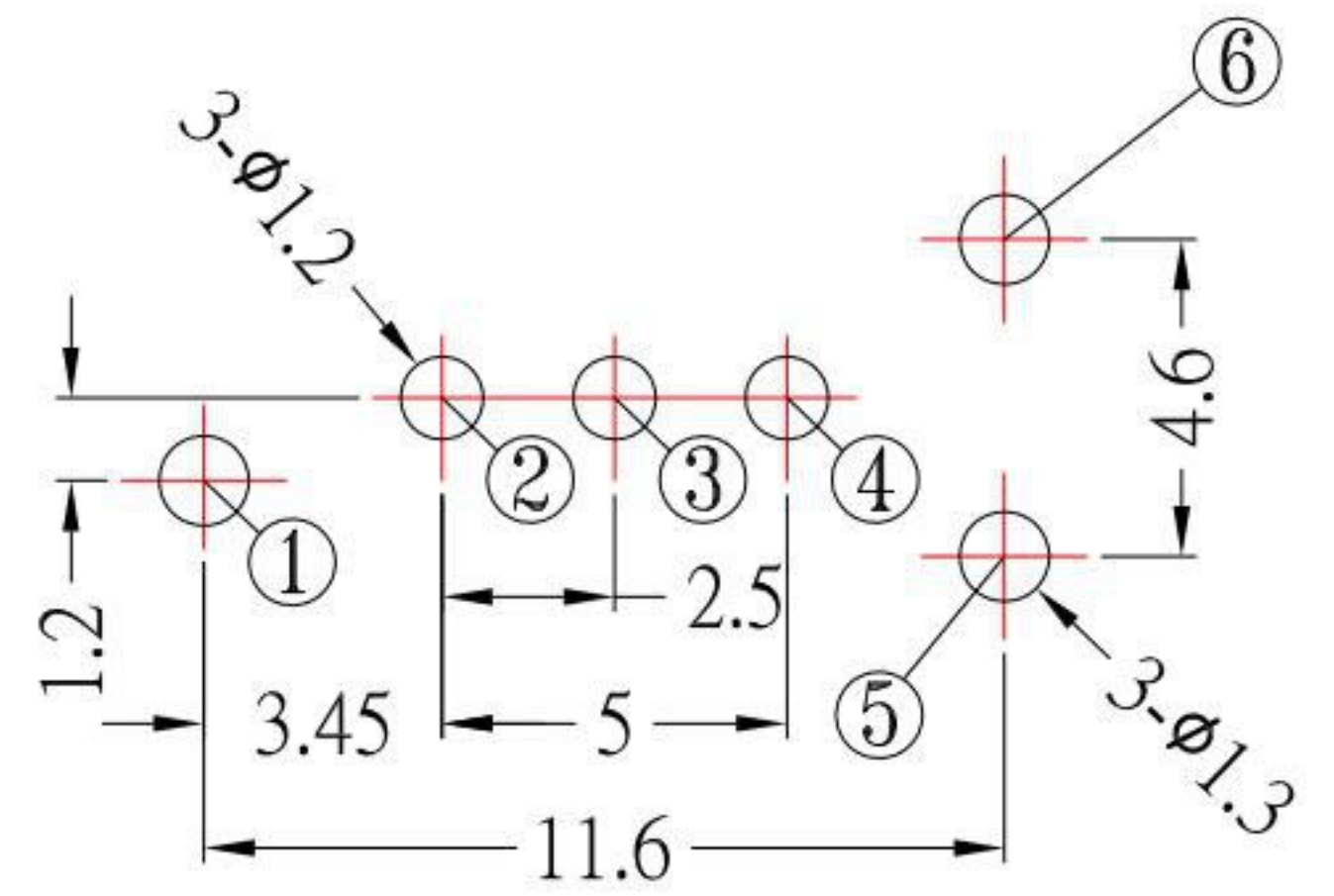
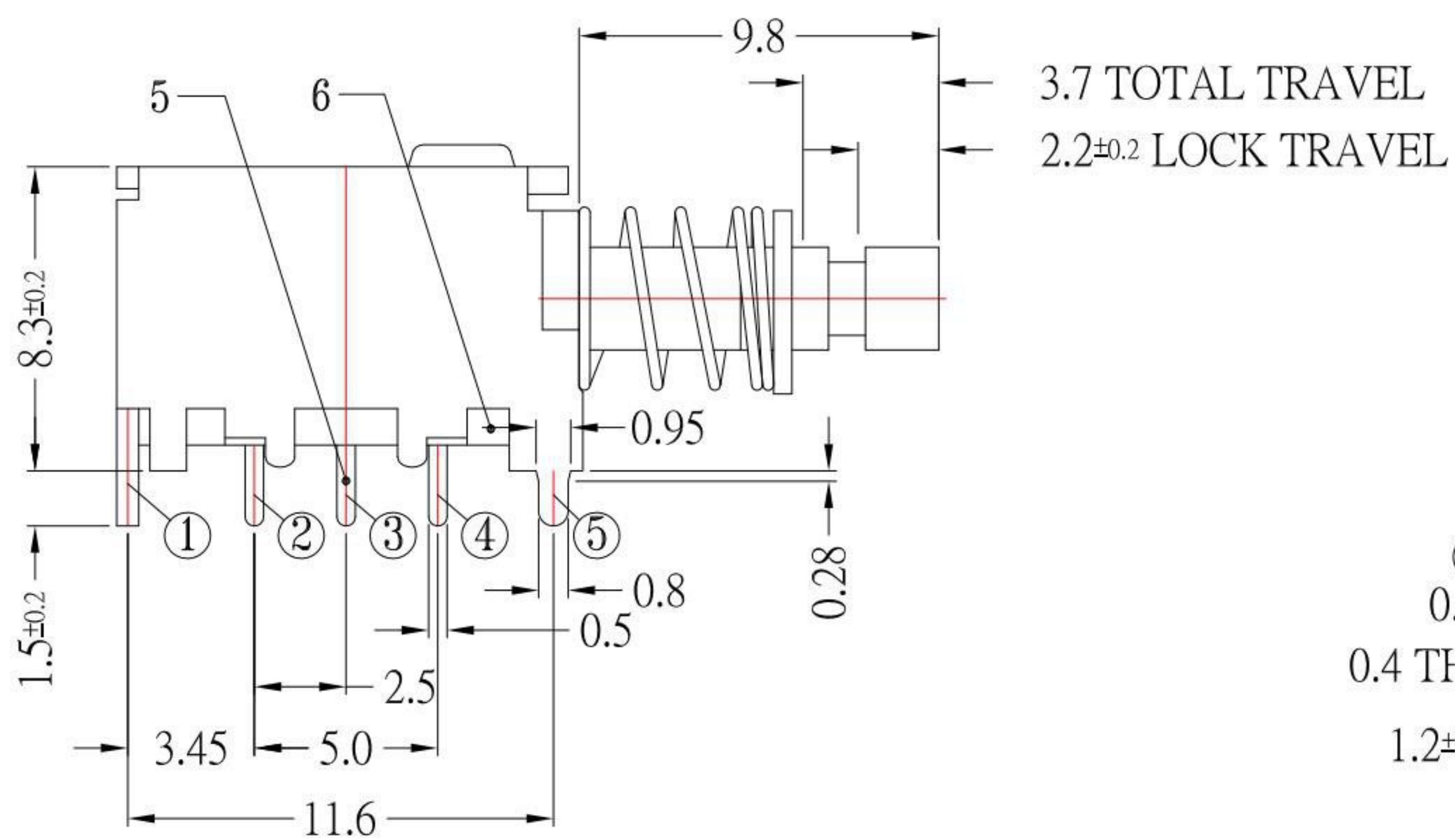


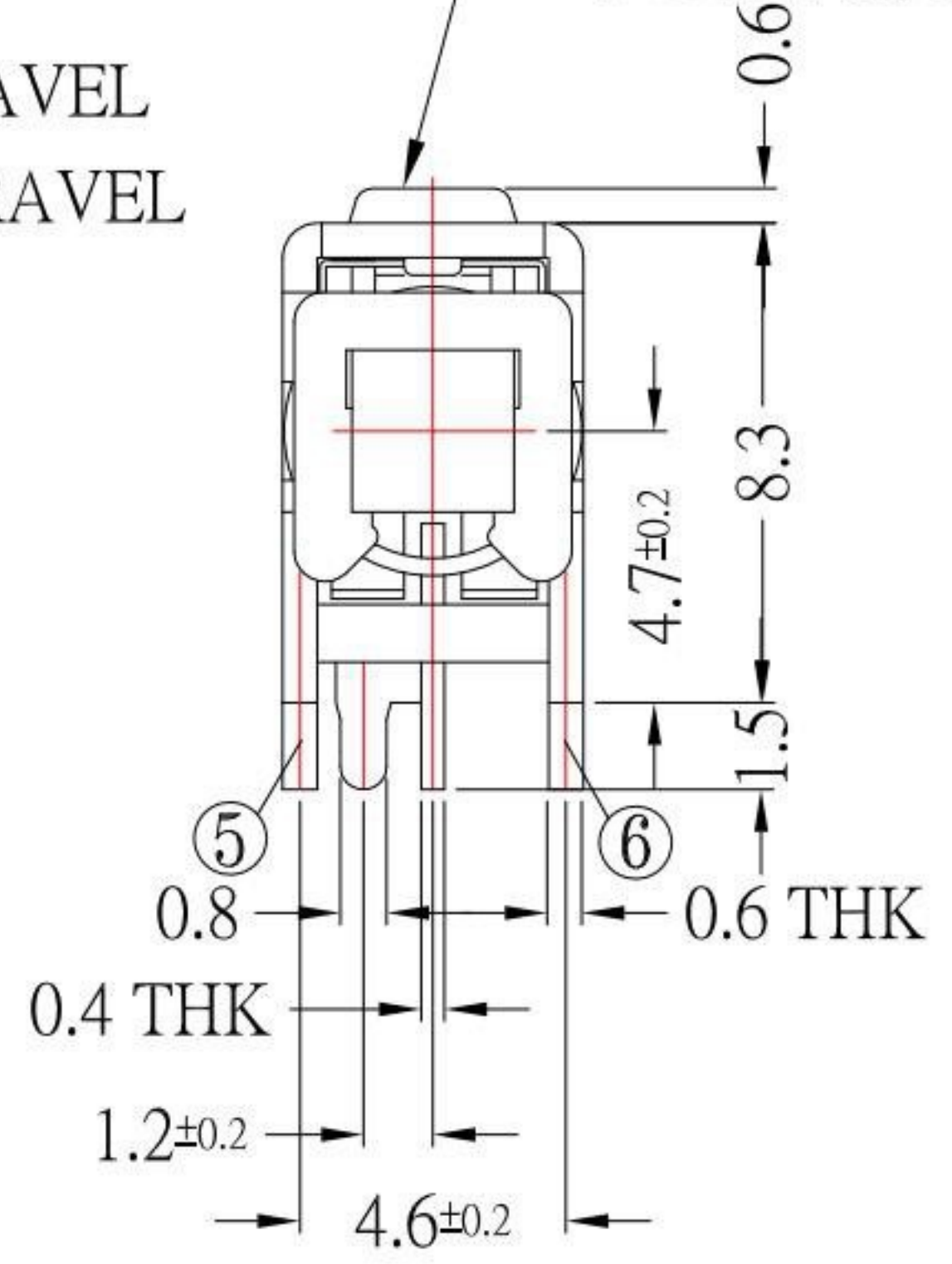
SCHEMATIC



P.C.B LAYOUT MOUNTING PATTERN
TOP VIEW



此锁钩位置用外壳凸包代替防尘片，
起方便吸料和避开锁钩的作用。
注意是否顶机壳。



SPECIFICATIONS

- 1. Rating : DC 12V, 2.0A
- 2. Circuit : 1P2T
- 3. Timing : Non-Shorting
- 4. Operating force : 350 ± 100gf
- 5. Life test : 10,000 cycles

NO.	DESCRIPTION	QTY	MATERIAL	PLATING
9	Contact Clip	1	PBS	Ag-Plating
8	Cam Stick	1	SUS	Ni-Plating
7	Spring Plate	1	PBS	Ni-Plating
6	Base	1	Phenolic Resin	Natural
5	Terminal	3	BRASS	Ni-Plating
4	Knob	1	LCP(Black)	
3	Block	1	Stainless Steel	Ni-Plating
2	Spring	1	Steel Wire	Ni-Plating
1	Frame	1	Stainless Steel	Ni-Plating

KSD 科斯达电子科技有限公司
SWITCH CONNECTOR KSD ELECTRONIC TECHNOLOGY Co., LTD
全球 互联零组件制造企业

TOLERANCE UNLESS OTHERWISE STATED:	Up to 5 ±0.2	Above 5 ~ 15 ±0.3	Above 15 ~ 30 ±0.4	Above 30 ~ 50 ±0.5	Angle ±0.3°
	3RD. ANGEL'S	UNITS	MM		

DRAWN BY:	DATE	MAT'L	TITLE	SWITCH
Jack Lu	04/24/23			
CHECKED BY:	DATE	FINISH	MODLE	PUSH SW 1P2T SMT TYPE 2A 12VDC
Jacky Chen	04/24/23			
APPROVED BY:	DATE	SCALE	DWG NO.	PS-12E053S-B-S191
Tony Kao	04/24/23	1:1		
		SHEET NO.	PART NO.	PS-12E053S-B-S191
		1 of 1		

ITEM NO.	DESCRIPTION	DRAWN	DATE