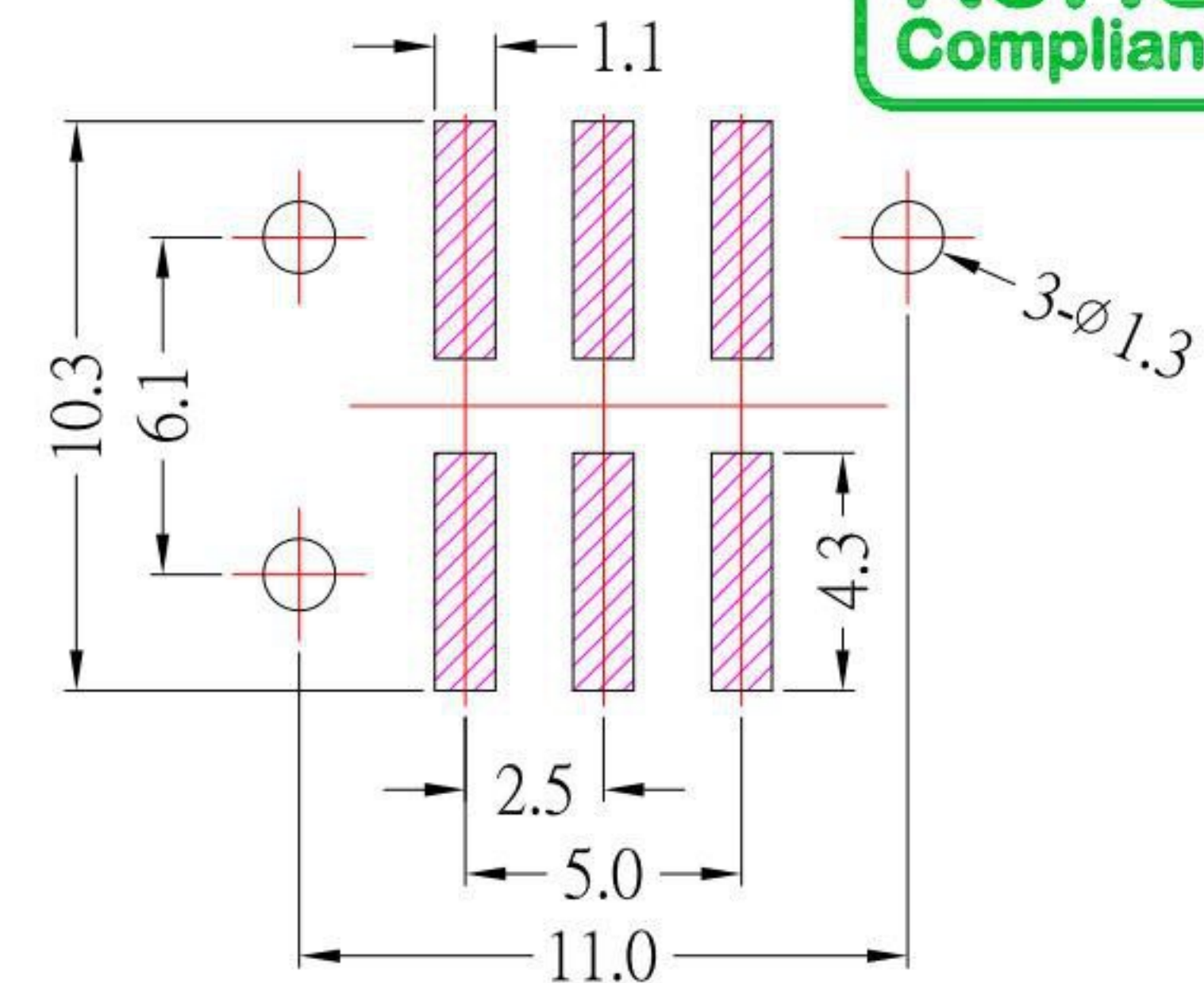
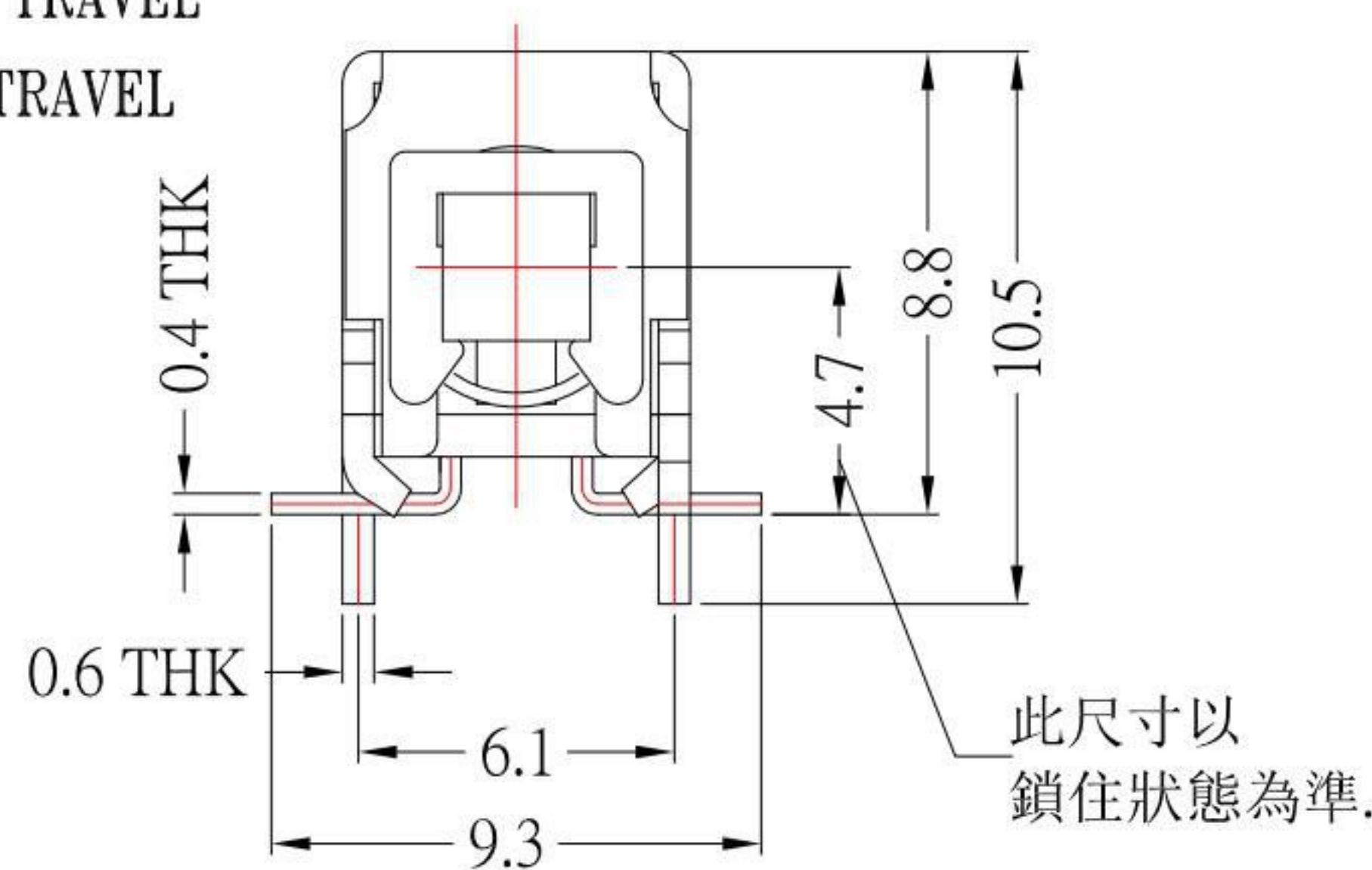
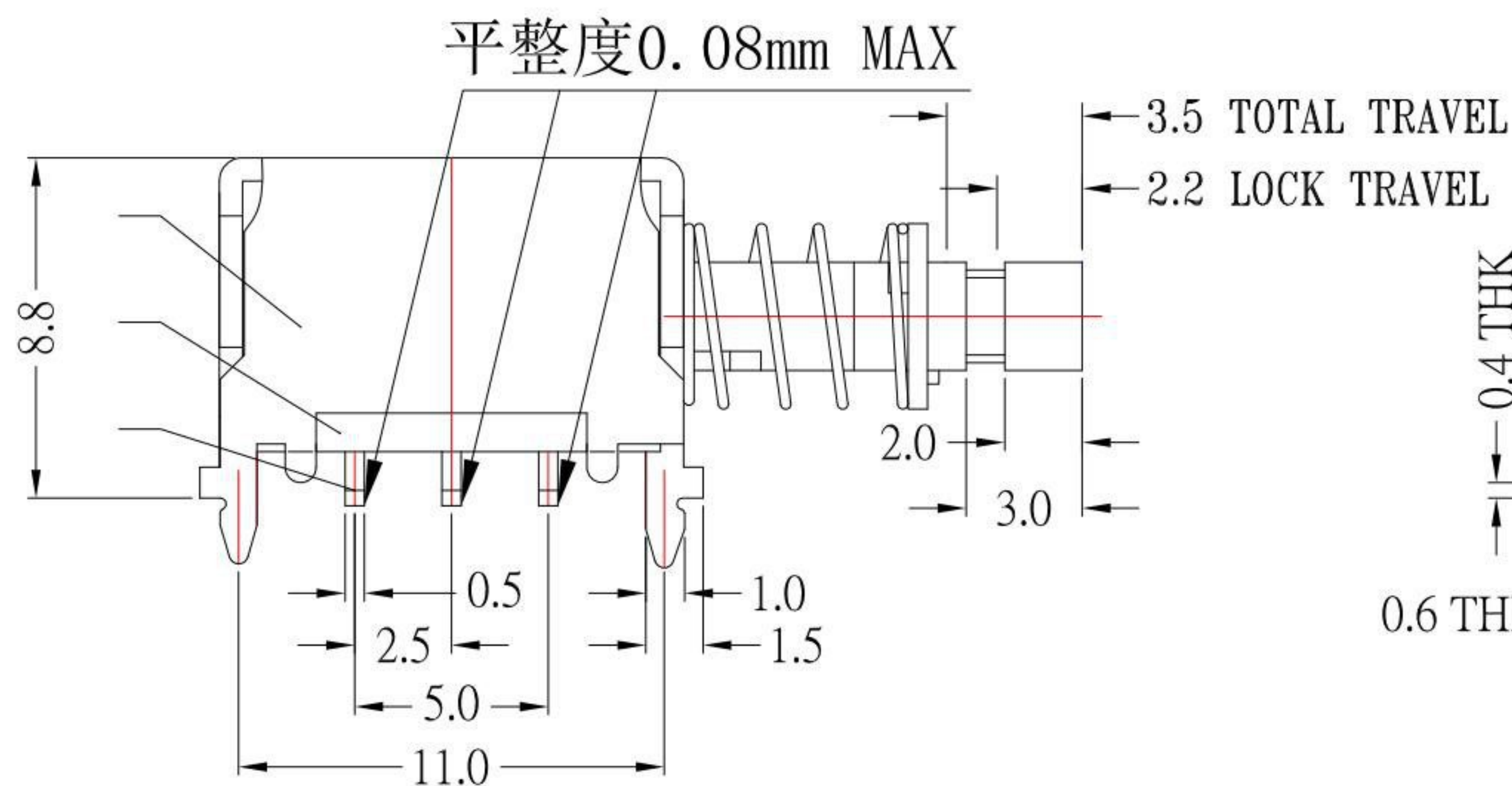


SCHMATIC



P.C.B LAYOUT MOUNTING PATTERN  
TOP VIEW



SPECIFICATIONS

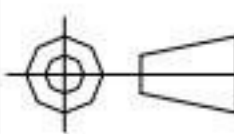
1. Rating : DC50V, 0.3A
2. Circuit : 2P2T
3. Timing : Non-Shorting
4. Operating force : 300 ± 100gf
5. Life test : 10,000 cycles

NO.	DESCRIPTION	QTY	MATERIAL	PLATING
9	Contact Clip	2	PBS	Ag-Plating
8	Terminal	6	Brass	Ag-Plating
7	Base	1	Phenolic Resin	Natural
6	Frame	1	Stainless Steel	Ni-Plating
5	Spring Plate	1	PBS	Natural
4	Cam Stick	1	BRASS Wire	Ni-Plating
3	Spring	1	Steel Wire	Ni-Plating
2	Block	1	Stainless Steel	Ni-Plating
1	Knob	1	LCP(Black)	

**KSD** 科斯达电子科技有限公司  
SWITCH CONNECTOR KSD ELECTRONIC TECHNOLOGY Co., LTD  
全球 互联网 零组件 制造企业

TOLERANCE UNLESS OTHERWISE STATED:  
Up to 5 ±0.2  
Above 5 ~ 15 ±0.3  
Above 15 ~ 30 ±0.4  
Above 30 ~ 50 ±0.5  
Angle ±0.3°

3RD. ANGEL'S



UNITS MM

DRAWN BY: Jack Lu DATE: 04/24/23  
CHECKED BY: Jacky Chen DATE: 04/24/23  
APPROVED BY: Tony Kao DATE: 04/24/23

MAT'L TITLE SWITCH  
FINISH MODLE PUSH SW 2P2T SMT TYPE  
SCALE 1:1 DWG NO. PS-22E25S-B-S191  
SHEET NO. 1 of 1 PART NO. PS-22E25S-B-S191

SIZE A4  
VER R

ITEM NO.	DESCRIPTION	DRAWN	DATE