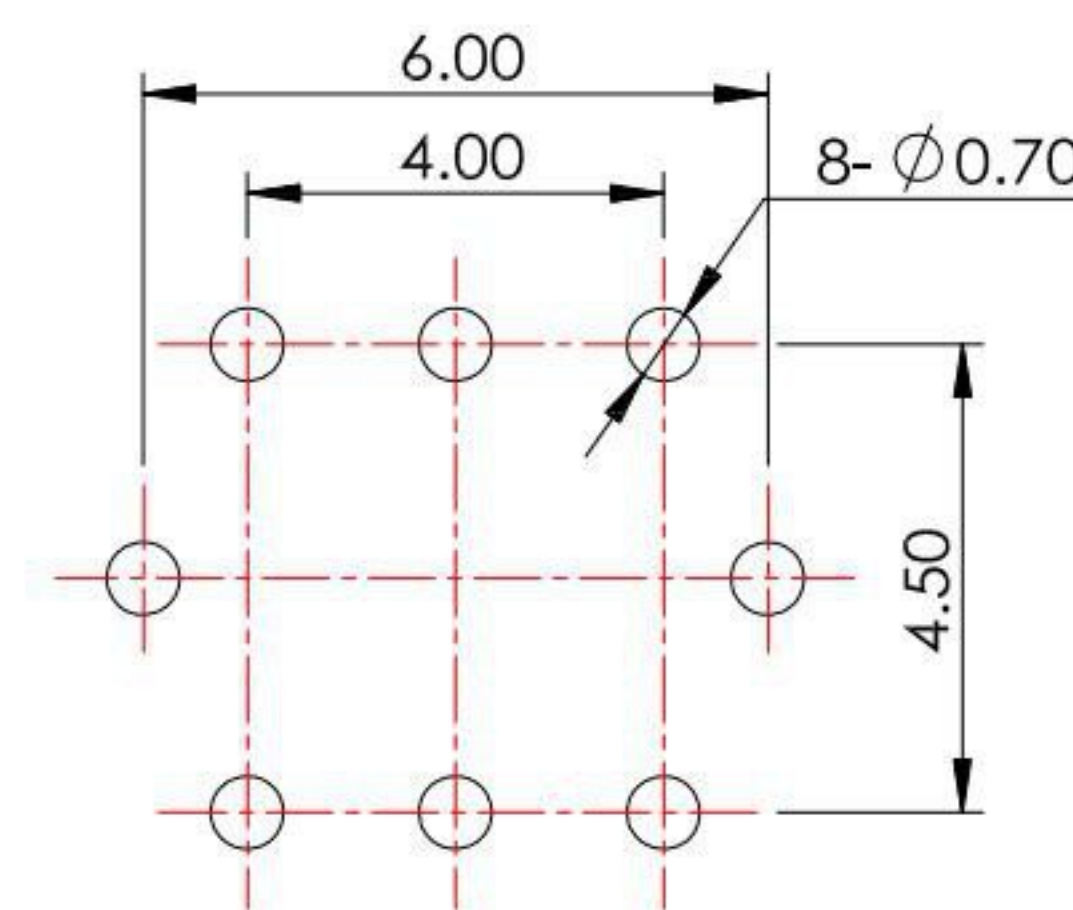


CIRCUIT



P.C.B LAYOUT MOUNTING PATTERN

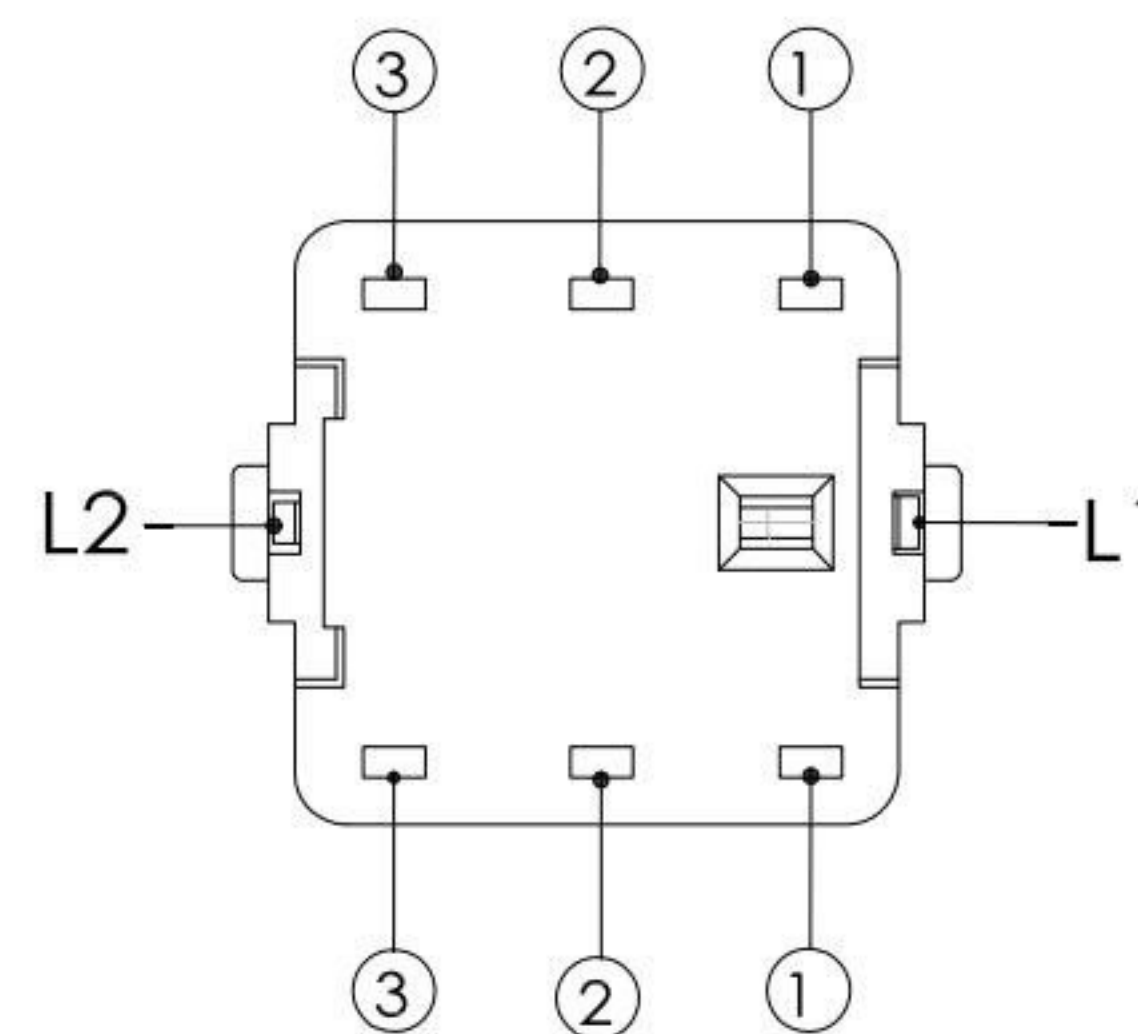
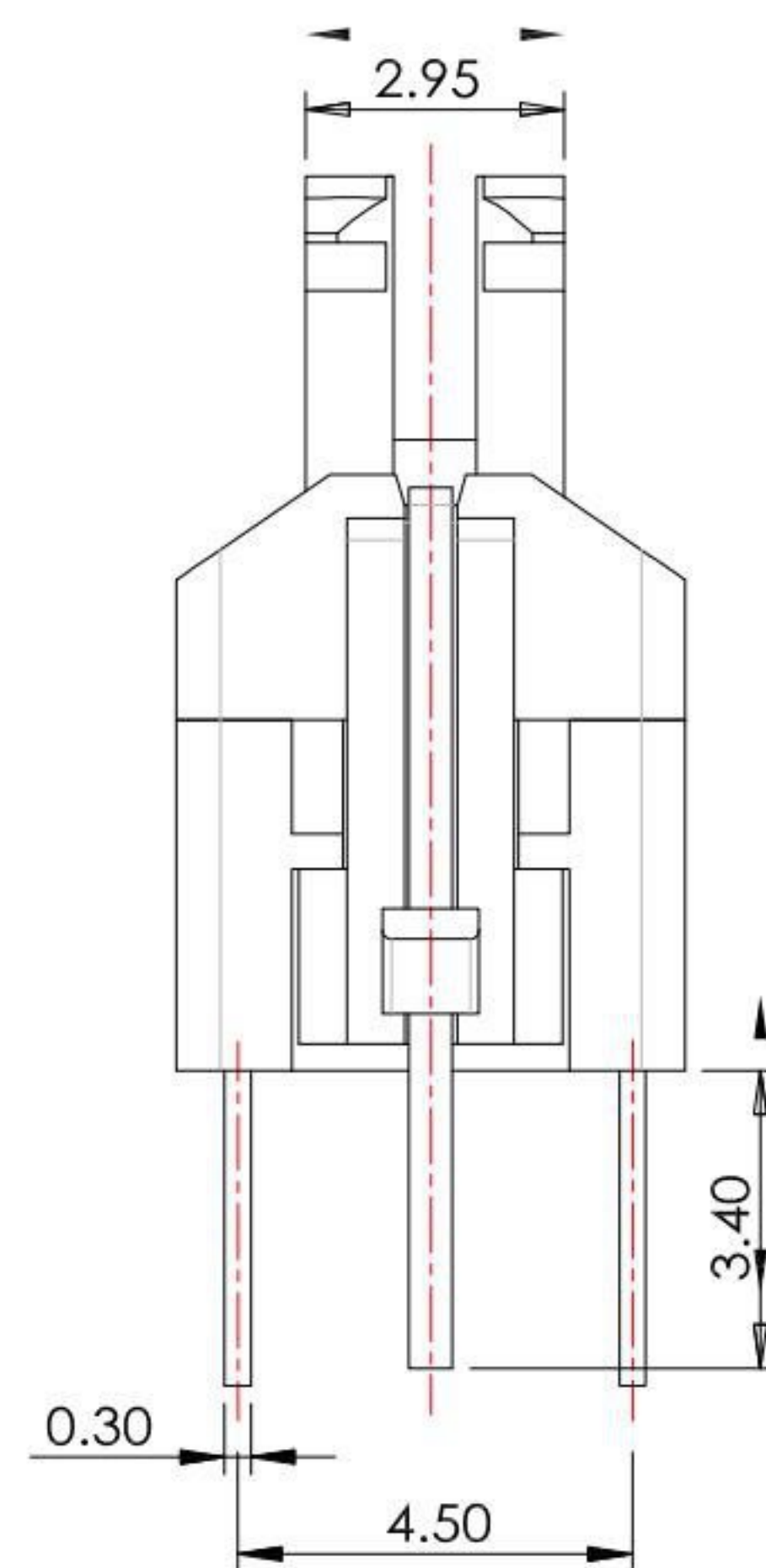
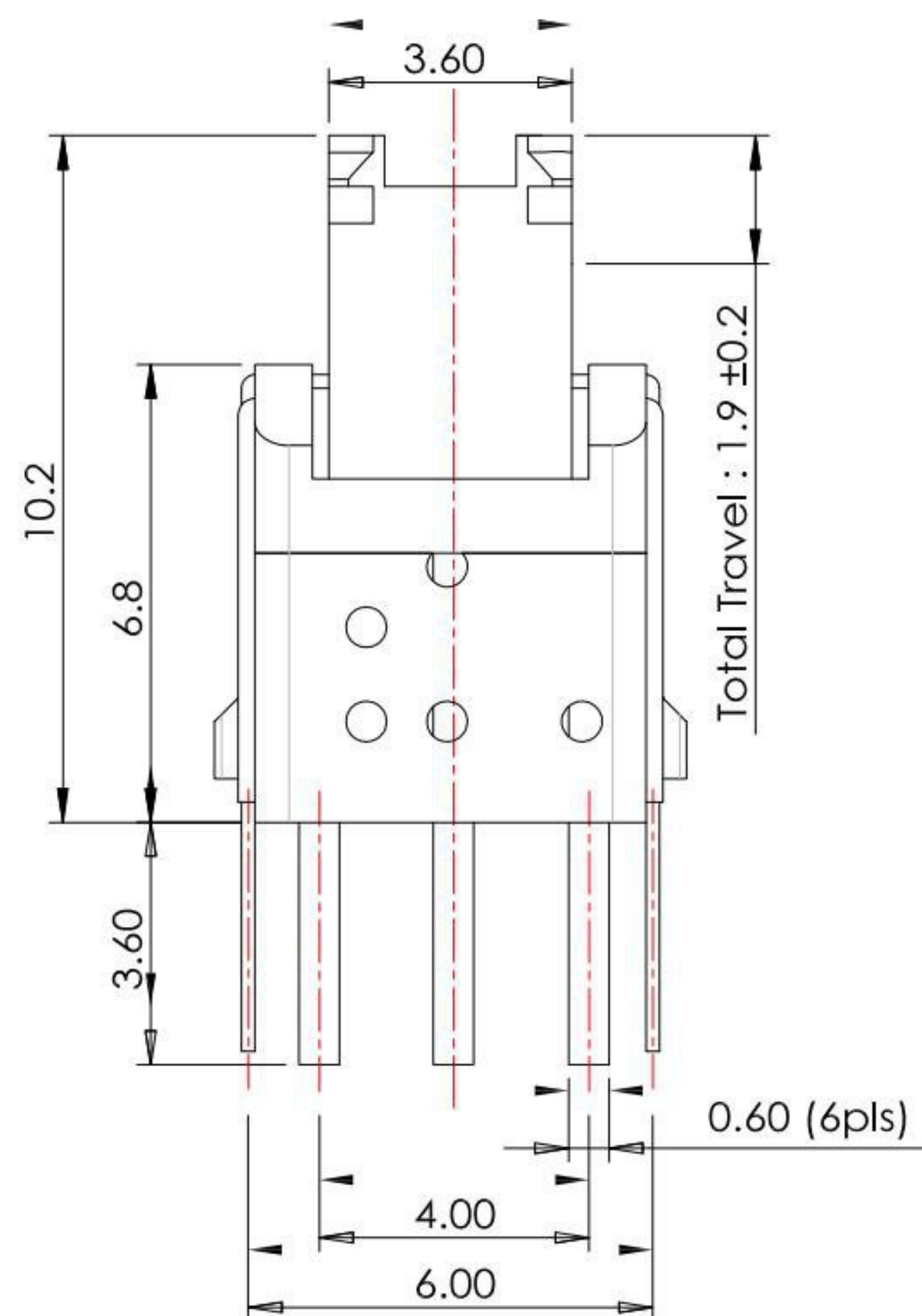
### PS-6041N-xx-S088

COLOR OF LED

0	Without	1	Red
2	Green	3	Orange
4	Yellow	7	Blue
8	White		

COLOR OF LED

0	Without	1	Red
2	Green	3	Orange
4	Yellow	7	Blue
8	White		



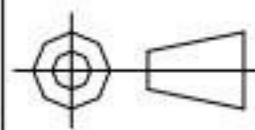
#### SPECIFICATIONS:

- 1.RATING : 0.1A , 30VDC
- 2.CONTACT RESISTANCE : 100 mΩ Max
- 3.INSULATION RESISTANCE : 100 MΩ min
- 4.DIELETRIC STRENGTH : 250 V AC / 1 MIN
- 5.OPERATING TEMPERTURE : -16°C to 60°C
- 6.OPERATING FORCE : 180 ± 500 gf
7. LIFE : 10,000 cycles .
- 8.Timing: Non-Shorting
- 9.Operation: Non-Lock TYPE

**KSD** 科斯达电子科技有限公司  
 SWITCH CONNECTOR KSD ELECTRONIC TECHNOLOGY Co., LTD  
 全球 互联零组件制造企业

TOLERANCE UNLESS OTHERWISE STATED :  
 Up to 5 ±0.2  
 Above 5 ~ 15 ±0.3  
 Above 15 ~ 30 ±0.4  
 Above 30 ~ 50 ±0.5  
 Angle ±0.3°

3RD. ANGEL'S



UNITS

MM

DRAWN BY: Jack Lu DATE: 02/24/17  
 CHECKED BY: Jacky Chen DATE: 02/24/17  
 APPROVED BY: Tony Kao DATE: 02/24/17

MAT'L		TITLE	SWITCH
FINISH		MODLE	Push switch Non-Lock Type
SCALE	1 : 1	DWG NO.	PS-6041N-xx-S088
SHEET NO.	1 of 1	PART NO.	PS-6041N-xx-S088

SIZE A4  
 VER R1

1	更新料號	Jack	022417
ITEM NO.	DESCRIPTION	DRAWN	DATE