

P.C.B LAYOUT MOUNTING PATTERN

Type	Switch Action		Circuit
TP613A	Normal ON	Push to lock ON	
Connectong Terminal	1 - 2	2 - 3	
TP613B	Normal ON	Push (ON)	
Connectong Terminal	1 - 2	2 - 3	
LED Circuit			

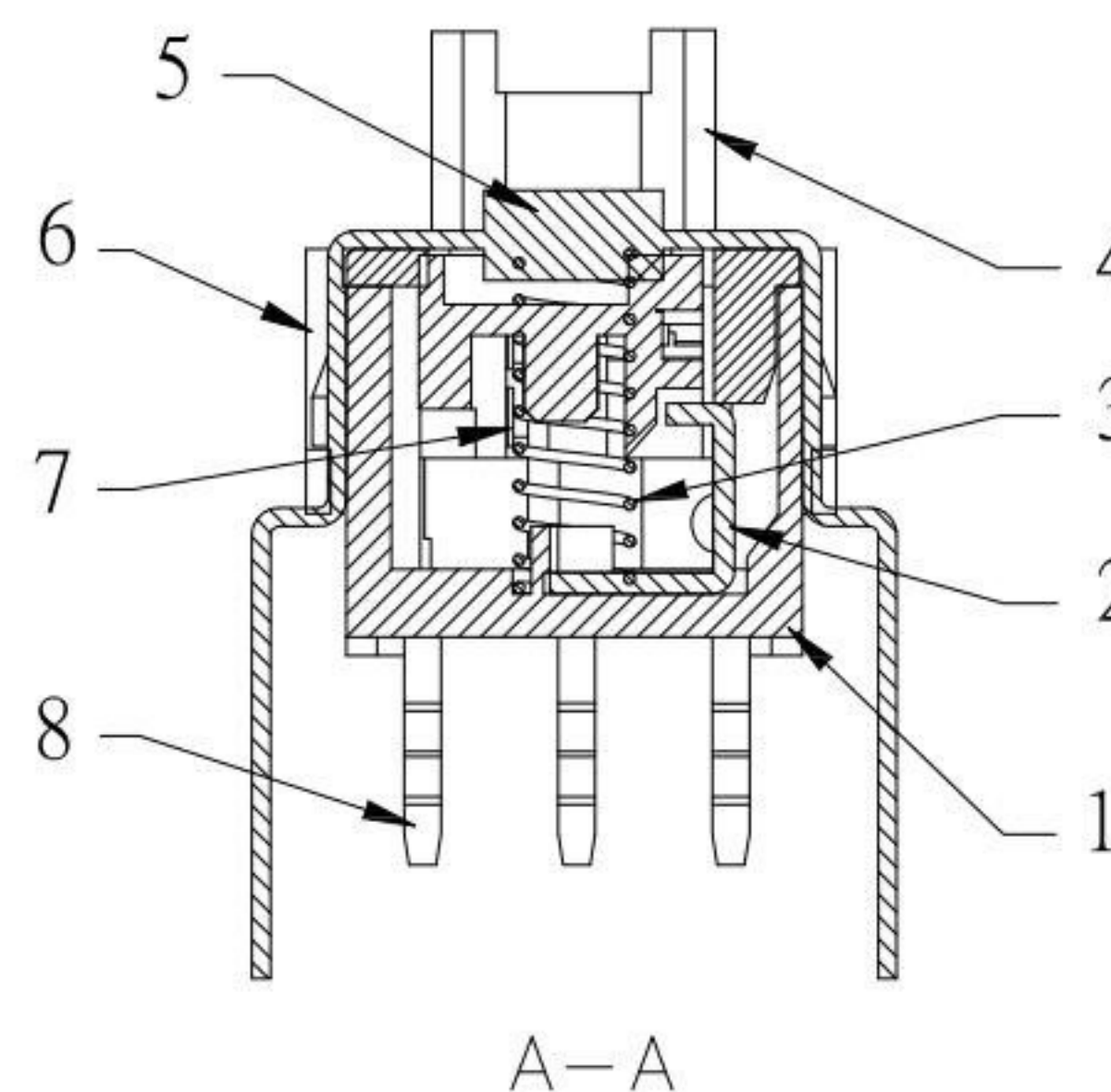
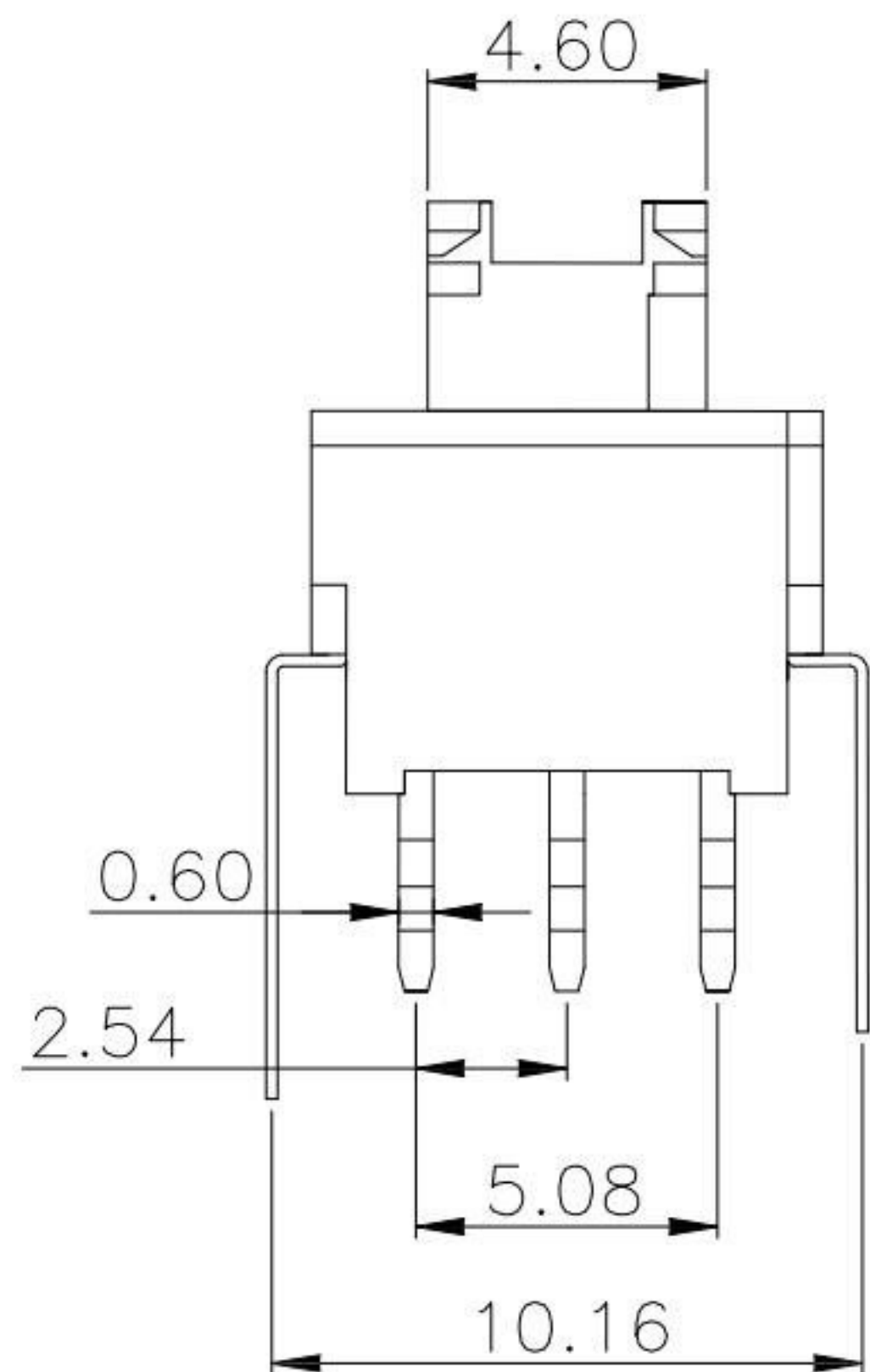
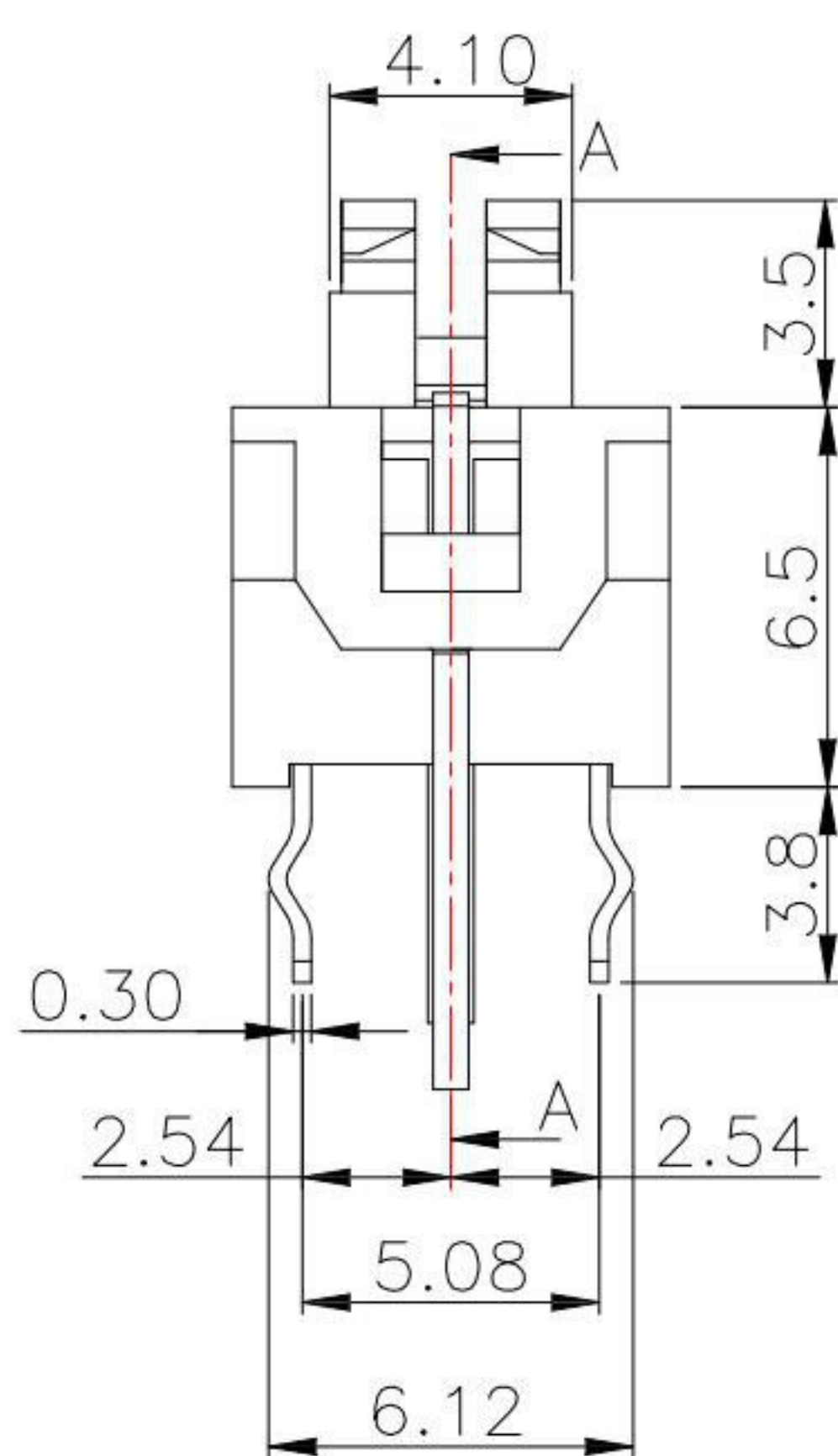
### PS-613AL-xx-S088

COLOR OF LED

0	Without	1	Red
2	Green	3	Orange
4	Yellow	7	Blue
8	White		

COLOR OF LED

0	Without	1	Red
2	Green	3	Orange
4	Yellow	7	Blue
8	White		

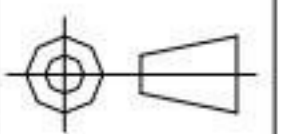


NO	DESCRIPTION	MATERIAL
1	BASE	PA66
2	CROCHET	SUS
3	SPRING	SUS
4	KNOB	PA66
5	LED	GaAsP/GaP
6	COVER	PA66
7	CONTACT	PBS Silver Clad
8	TERMINAL	C2680, Ag plated

**KSD** 科斯达电子科技有限公司  
 SWITCH CONNECTOR KSD ELECTRONIC TECHNOLOGY Co., LTD  
 全球 互聯零组件制造企业

TOLERANCE UNLESS OTHERWISE STATED:  
 Up to 5 ±0.2  
 Above 5 ~ 15 ±0.3  
 Above 15 ~ 30 ±0.4  
 Above 30 ~ 50 ±0.5  
 Angle ±0.3°

3RD. ANGEL'S



UNITS MM

DRAWN BY: Jack Lu DATE: 02/23/17  
 CHECKED BY: Jacky Chen DATE: 02/23/17  
 APPROVED BY: Tony Kao DATE: 02/23/17

MAT'L	TITLE	SWITCH
FINISH	MODLE	PUSH SWITCH
SCALE	DWG NO.	PS-613AL-xx-S088
SHEET NO.	PART NO.	PS-613AL-xx-S088

SIZE A4  
 VER R

ITEM NO.	DESCRIPTION	DRAWN	DATE