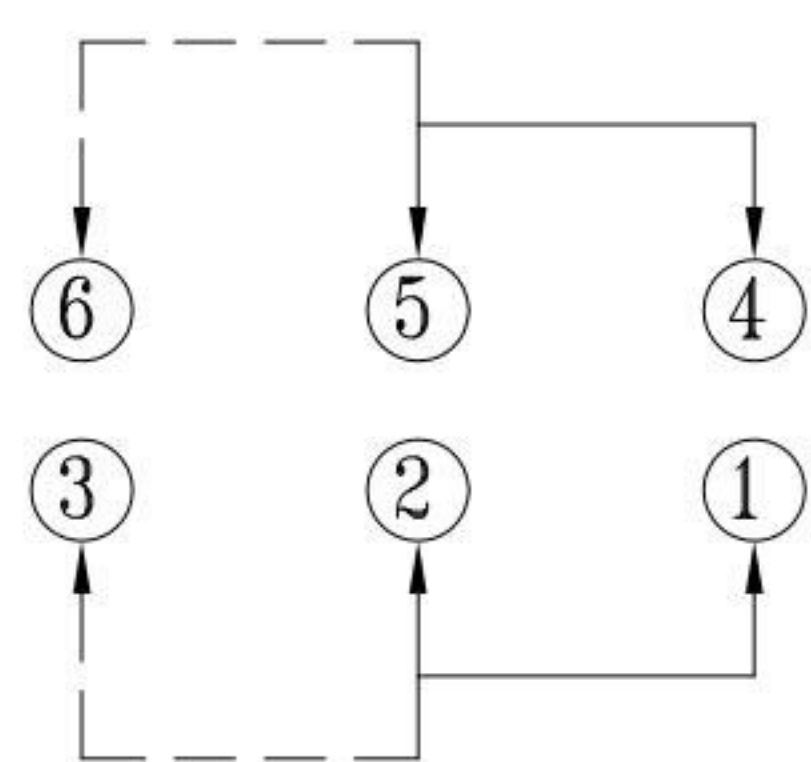


P.C.B MOUNTING PATTERN  
BOTTOM VIEW

SPECIFICATIONS

- 1. Rating : DC 30V 0.1A
- 2. Circuit : 2P2T
- 3. Timing : Non-Shorting
- 4. Operating force : 200 ± 100gf
- 5. Life test : 10,000 cycles
- 6. Operating Mode : Non-Lock



SCHEMATIC

NO.	DESCRIPTION	QTY	MATERIAL	REMARK
6	CONTACT CLIP	2	PHOSPHOR BRONZE	Ag-Plated
5	SPRING	1	SUS	NATURAL
4	TERMINAL	6	BRASS	Ag-Plated
3	CASE	1	PBT	BLACK
2	COVER	1	POM	WHITE
1	KNOB	1	POM	BLUE

**KSD** 科斯达电子科技有限公司  
 SWITCH CONNECTOR 全球 互联零组件制造企业  
 KSD ELECTRONIC TECHNOLOGY Co., LTD

TOLERANCE UNLESS OTHERWISE STATED :  
 Up to 5 ±0.2  
 Above 5 ~ 15 ±0.3  
 Above 15 ~ 30 ±0.4  
 Above 30 ~ 50 ±0.5  
 Angle ±0.3°

3RD. ANGEL'S

UNITS MM

DRAWN BY:	DATE	MAT'L	TITLE	SWITCH
Jack Lu	10/23/15			
CHECKED BY:	DATE	FINISH	MODLE	PUSH SWITCH
Jacky Chen	10/23/15			
APPROVED BY:	DATE	SCALE	DWG NO.	PS-D12FNL-S191
Tony Kao	10/23/15	1 : 1		
		SHEET NO.	PART NO.	PS-D12FNL-S191
		1 of 1		

ITEM NO.	DESCRIPTION	DRAWN	DATE
2	新增SPEC	Jack	102315
1	更新圖面	Jack	020315