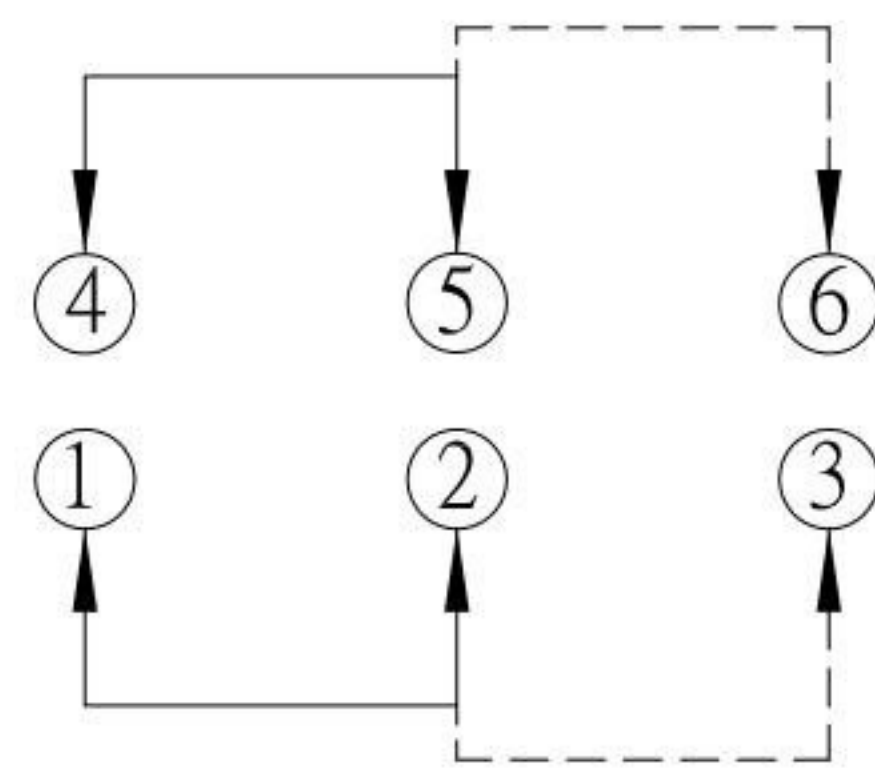
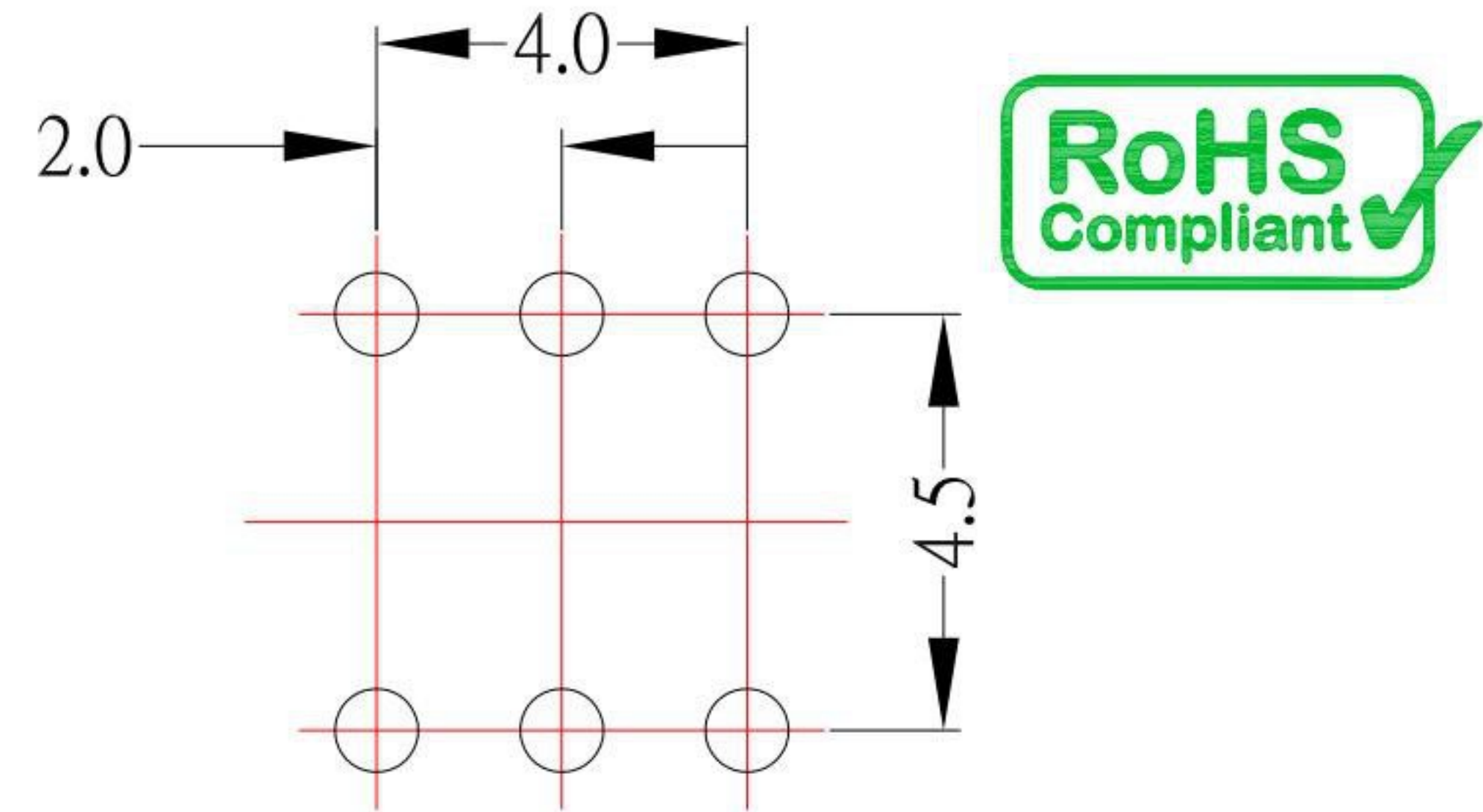


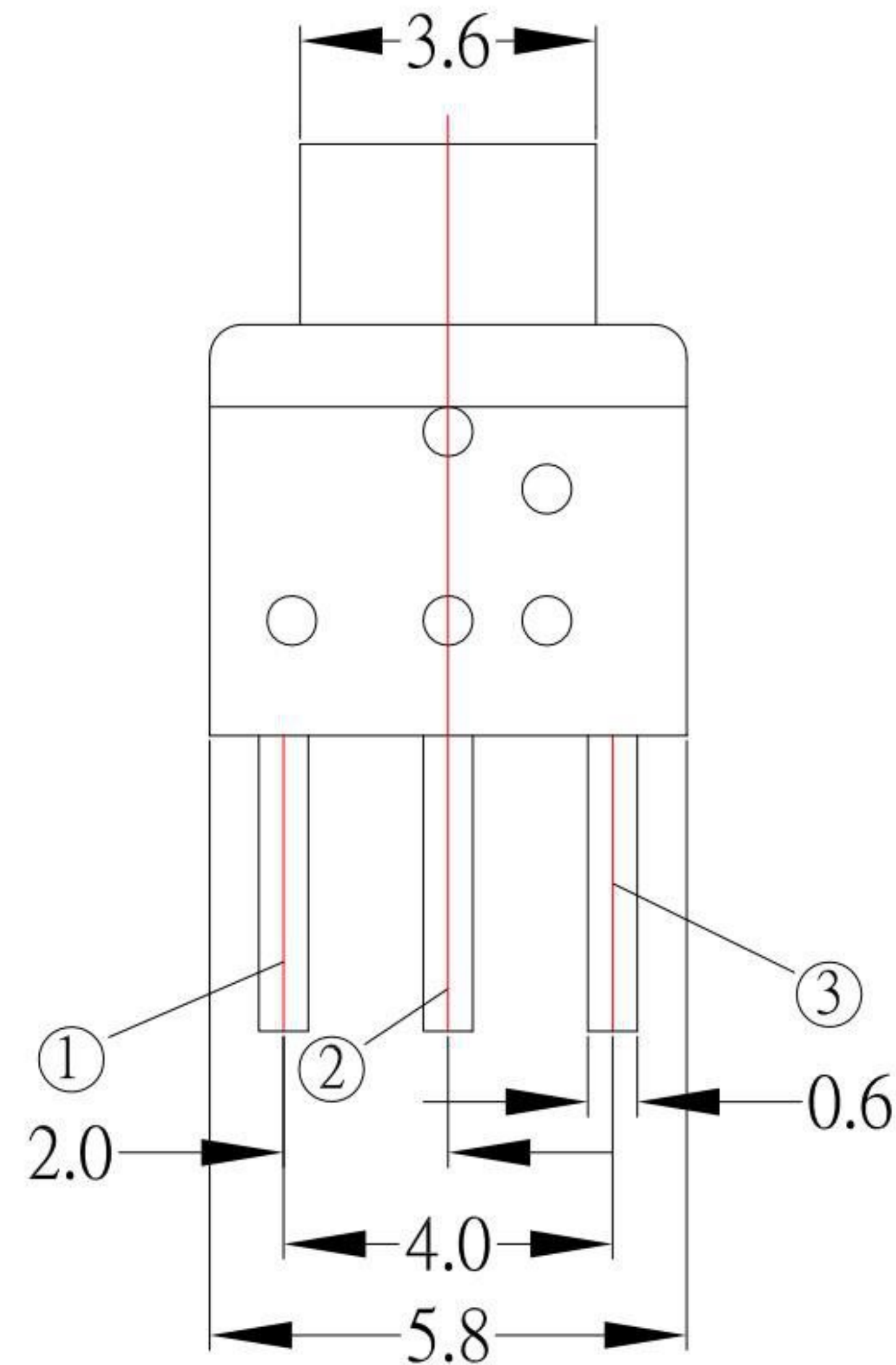
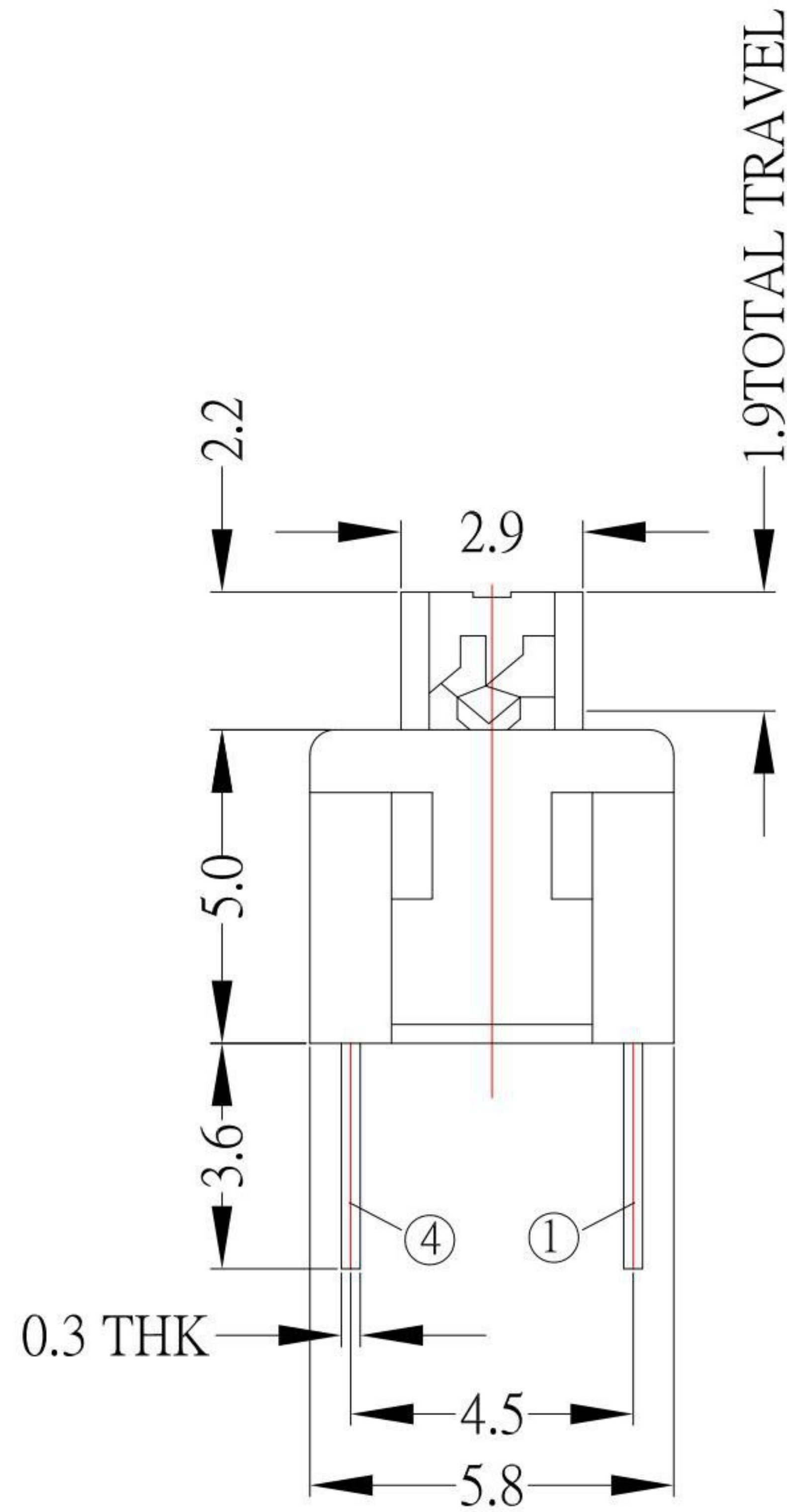
CIRCUIT DIAGRAM



SCHMATIC (NON-SHORTING)



P.C.B LAYOUT MOUNTING PATTERN



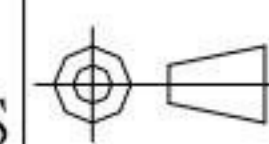
SPECIFICATIONS

Rating	30V DC / 0.1A
Circuit	2C-2P
Contact Resistance	200 mΩ MAX .
Timing	NON-SHORTING
Operating Mode	SELF-LOCK : PS-D16FL-S191 NON-LOCK : PS-D16FN-S191
Stroke	Full : 1.9mm , Lock : 1.0mm
Operating Force	SELF-LOCK : 150 gf ±80 NON-LOCK 250 gf ±80
Operating Life	10,000 CYCLES

KSD 科斯达电子科技有限公司
SWITCH CONNECTOR KSD ELECTRONIC TECHNOLOGY Co., LTD
全球 互联零组件制造企业

TOLERANCE UNLESS OTHERWISE STATED :
Up to 5 ±0.2
Above 5 ~ 15 ±0.3
Above 15 ~ 30 ±0.4
Above 30 ~ 50 ±0.5
Angle ±0.3°

3RD. ANGEL'S



UNITS MM

DRAWN BY: Jack Lu DATE: 01/06/15
CHECKED BY: Jacky Chen DATE: 01/06/15
APPROVED BY: Tony Kao DATE: 01/06/15

MAT'L	TITLE	SWITCH
FINISH	MODLE	PUSH SWITCH
SCALE 1:1	DWG NO.	PS-D16Fx-S191
SHEET NO. 1 of 1	PART NO.	PS-D16Fx-S191
	SIZE	A4
	VER	R1

2	更新Contact Resistance	Jack	010615
1	Rating Update	FrankWu	030212
ITEM NO.	DESCRIPTION	DRAWN	DATE