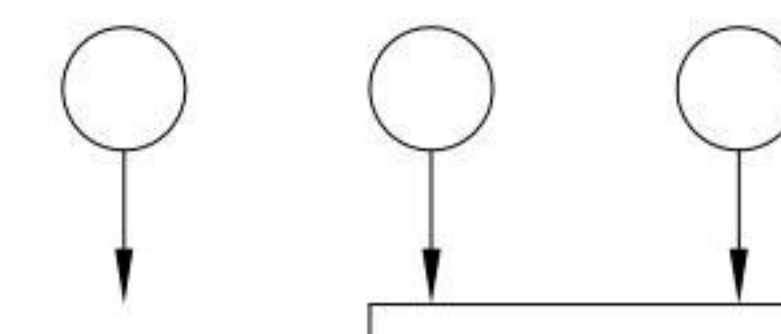


P.C.B LAYOUT

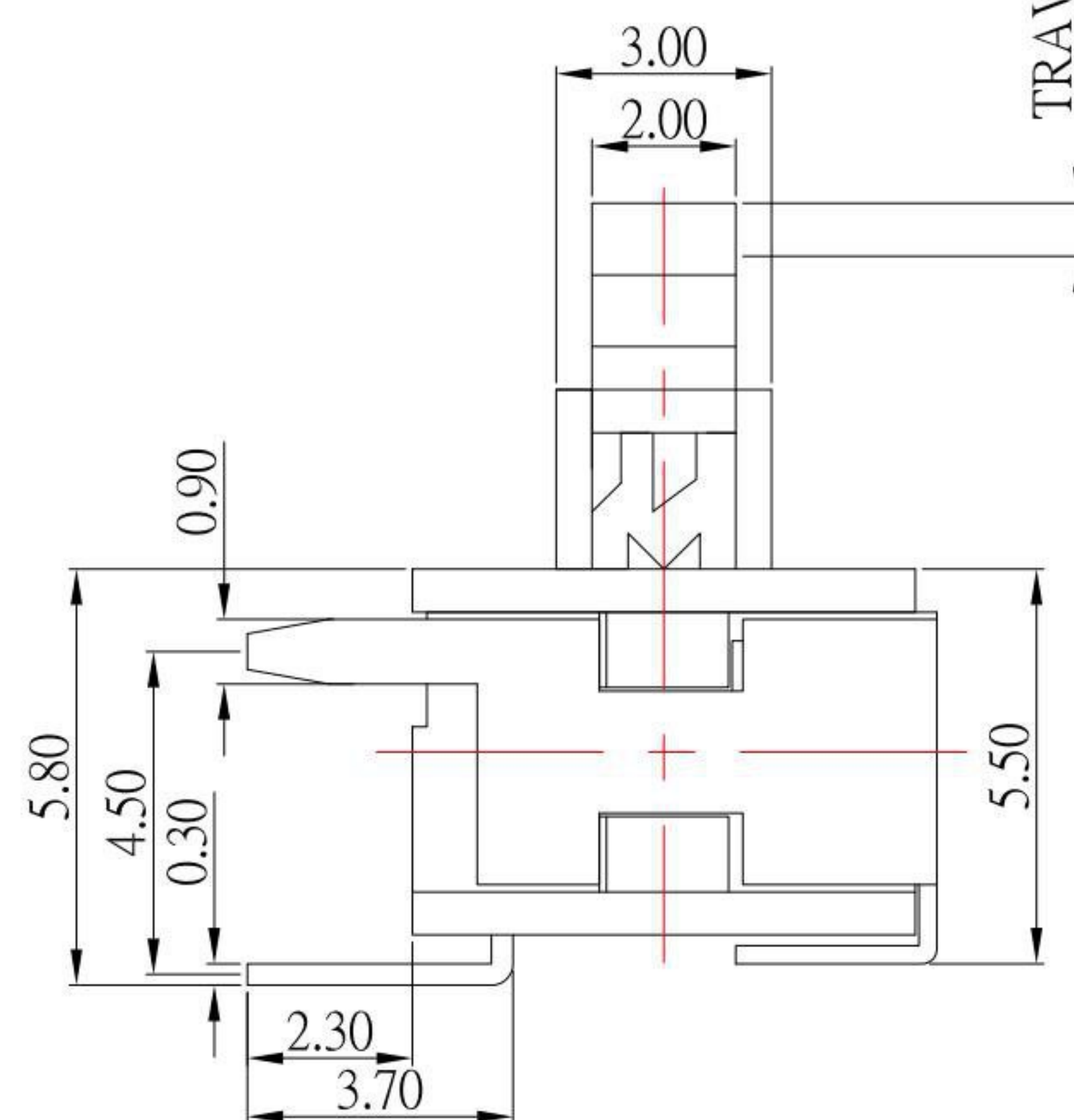
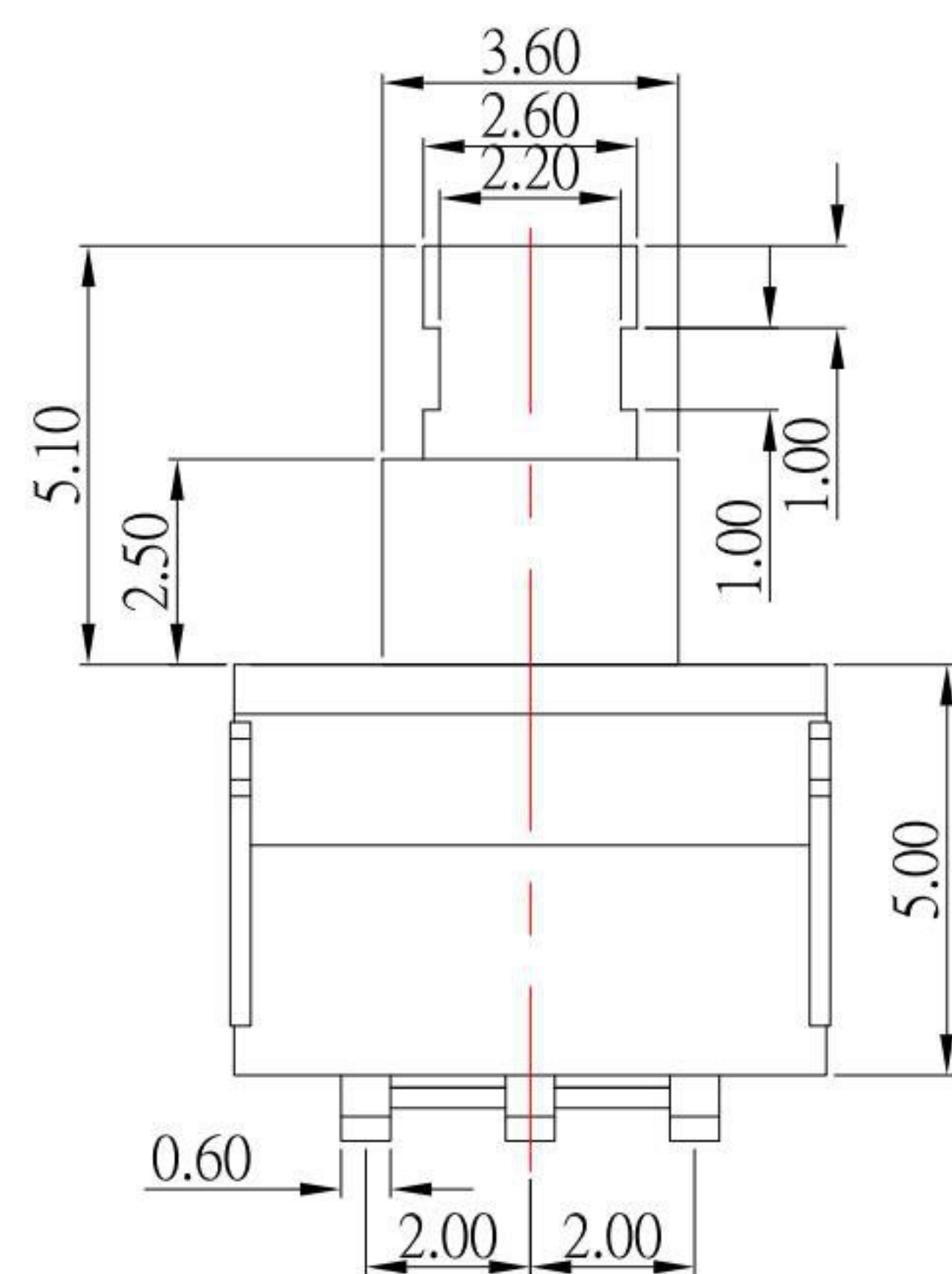


CIRCUIT DIAGRAM

OPERATING MODE : LOCK : PS-D16H3-S313

NON-LOCK : PS-D16H3N-S313

NO.	PARTS	MATERIALS	Q'TY	FINISH
8	LOCK PIN	SUS	1	NATURAL
7	BRACKET	SUS	1	
6	CONTACT	PHOSPHOR BRONZE	1	Ag PLATED
5	SPRING	SUS	1	NATURAL
4	TERMINAL	BRASS	3	Ag PLAT OVER Ni
3	COVER	PPA	1	BLACK
2	CASE	PPA	1	BLACK
1	KNOB	PA6T	1	WHITE



TRAVEL 2.0mm

KSD 科斯达电子科技有限公司
 SWITCH CONNECTOR KSD ELECTRONIC TECHNOLOGY Co., LTD
 全球 互联零组件制造企业

TOLERANCE UNLESS OTHERWISE STATED :	Up to 5 ±0.2	3RD. ANGEL'S	UNITS	MM
	Above 5 ~ 15 ±0.3			
	Above 15 ~ 30 ±0.4			
	Above 30 ~ 50 ±0.5			
	Angle ±0.3°			

ITEM NO.	DESCRIPTION	DRAWN	DATE
1	更新KNOB材質	Jack	010322

DRAWN BY:	DATE	MAT'L	TITLE	SWITCH
Jack Lu	01/03/22			
CHECKED BY:	DATE	FINISH	MODLE	PUSH SWITCH
Jacky Chen	01/03/22			
APPROVED BY:	DATE	SCALE	DWG NO.	PS-D16H3x-S313
Tony Kao	01/03/22	1 : 1		
		SHEET NO.	PART NO.	PS-D16H3x-S313
		1 of 1		

SIZE	A4
VER	R1