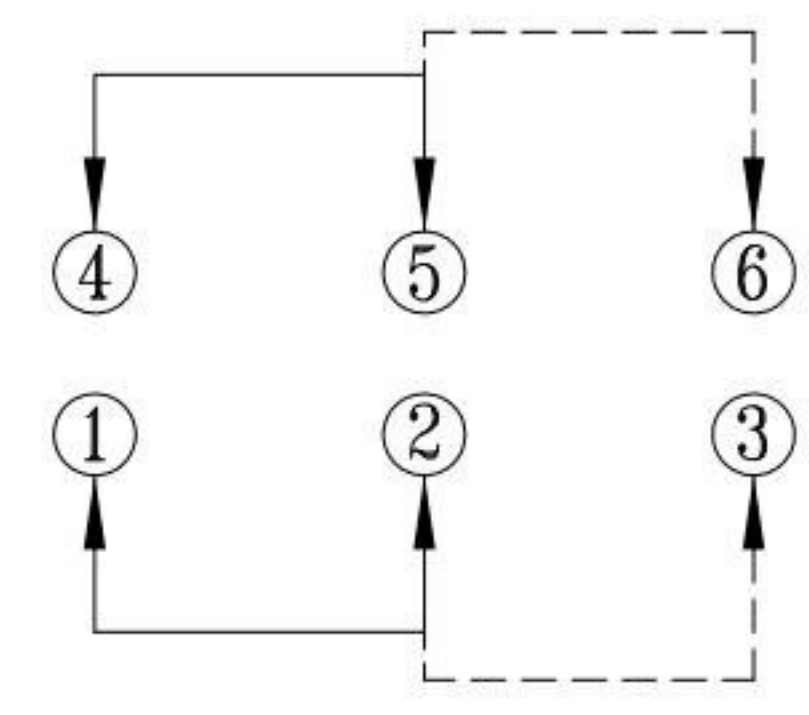


P.C.B LAYOUT
BOTTOM VIEW

SPECIFICATIONS:

- 1.RATING: 12V DC / 0.2A
- 2.CIRCUIT: 2C-2P
- 3.TIMING: NON-SHORTING
- 4.OPERATING MODE: SELF-LOCK : PS-D16L-S191(KNOB:White)
Non-LOCK : PS-D16NL-S191(KNOB:GREY)
- 5.OPERATING FORCE: 250±100 gf
- 6.OPERATING LIFE:10,000 Cycles



CIRCUIT DIAGRAM

NO.	PARTS	MATERIALS	Q'TY	FINISH
7	SPRING	SUS	1	NATURAL
6	CAM STICK	SUS	1	NATURAL
5	TERMINAL	BRASS	6	Ag PLATED
4	CASE	PPA	1	GREY
3	COVER	PA66	1	BLACK
2	CONTACT	PHOSPHOR BRONZE	2	Ag PLATED
1	KNOB	PBT	1	WHITE / GREY

ITEM NO.	DESCRIPTION	DRAWN	DATE
6	新增OPERATING LIFE	Jack	030623
5	更新圖面	Jack	102220
4	新增PCB LAYOUT尺寸	Jack	080918
3	依KNOB顏色區分代表SELF-LOCK or Non-LOCK	Jack	051616
2	新增材質	Jack	032514
1	更新圖面及SPEC	Jack	021914

KSD 科斯达电子科技有限公司
 SWITCH CONNECTOR 全球互聯零組件制造企业
 KSD ELECTRONIC TECHNOLOGY Co., LTD

TOLERANCE UNLESS OTHERWISE STATED:
 Up to 5 ±0.2
 Above 5 ~ 15 ±0.3
 Above 15 ~ 30 ±0.4
 Above 30 ~ 50 ±0.5
 Angle ±0.3°

3RD. ANGEL'S

UNITS MM

DRAWN BY:	DATE	MAT'L	TITLE	SIZE
Jack Lu	03/06/23		SWITCH	A4
CHECKED BY:	DATE	FINISH	MODLE	VER
Jacky Chen	03/06/23		PUSH SWITCH	R6
APPROVED BY:	DATE	SCALE	DWG NO.	
Tony Kao	03/06/23	1:1	PS-D16x-S191	
		SHEET NO.	PART NO.	
		1 of 1	PS-D16x-S191	