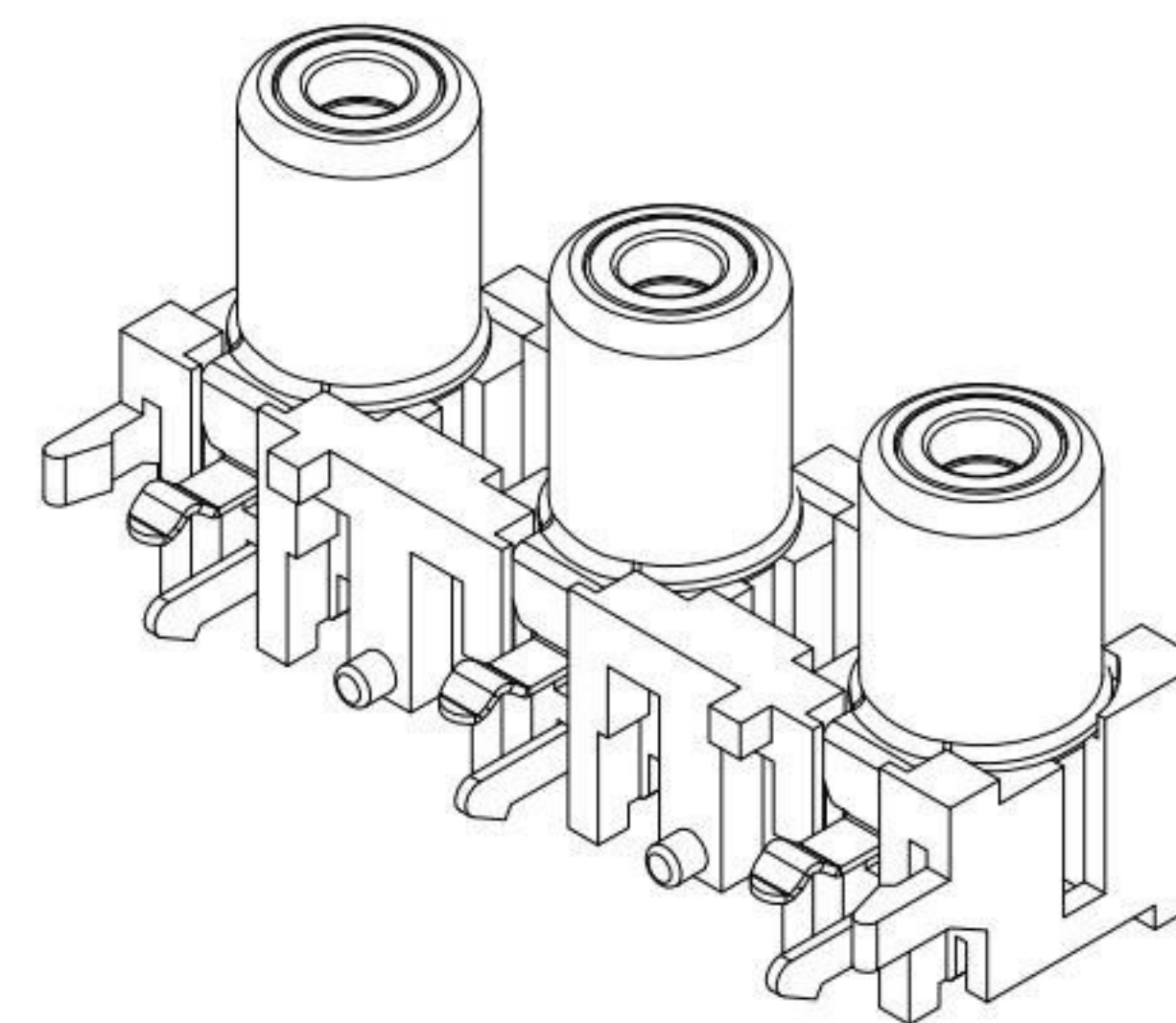


CIRCUIT DIAGRAM



COLOR TYPE			
P/N	A	B	C
R :	RED		
K :	BLACK		
Y :	YELLOW		
W :	WHITE		
G :	GREEN		
B :	BLUE		
O :	ORANGE		

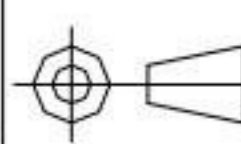
PCB HOLES DIAGRAM  
TOP VIEW

NO.	PART NAME	QTY	MATERIAL	REMARK
4	TERMINAL	3	H62	CuSn-Plated
3	OUTER CONTACT	3	H62	CuSn-Plated
2	WASHER	3	ABS	See Color Type
1	HOUSING	1	ABS	Black

**KSD** 科斯达电子科技有限公司  
SWITCH CONNECTOR KSD ELECTRONIC TECHNOLOGY Co., LTD  
全球 互联网 零组件 制造企业

TOLERANCE UNLESS OTHERWISE STATED:  
Up to 5 ±0.2  
Above 5 ~ 15 ±0.3  
Above 15 ~ 30 ±0.4  
Above 30 ~ 50 ±0.5  
Angle ±0.3

3RD. ANGEL'S



UNITS

MM

DRAWN BY: Jack Lu  
DATE: 01/28/15  
CHECKED BY: Jacky Chen  
DATE: 01/28/15  
APPROVED BY: Tony Kao  
DATE: 01/28/15

MAT'L  
FINISH  
SCALE: 1:1  
SHEET NO. 1 of 1

TITLE: JACK  
MODLE: RCA JACK  
DWG NO.: RCA-316-xxx-S147  
PART NO.: RCA-316-xxx-S147

SIZE: A4  
VER: R1

ITEM NO.	DESCRIPTION	DRAWN	DATE
2	圖面更新	Jack	012815
1	圖面更新	FrankWu	120111