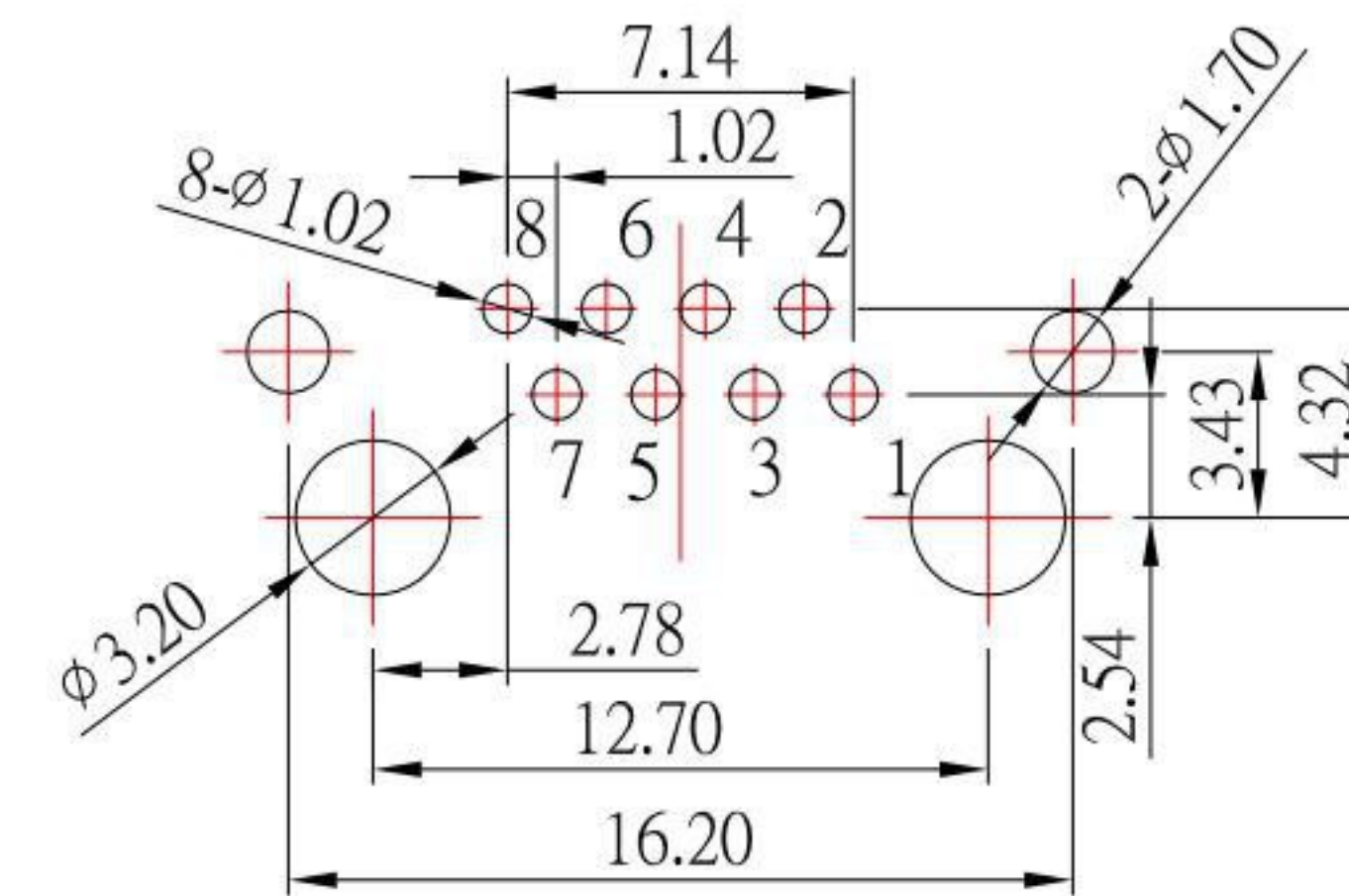


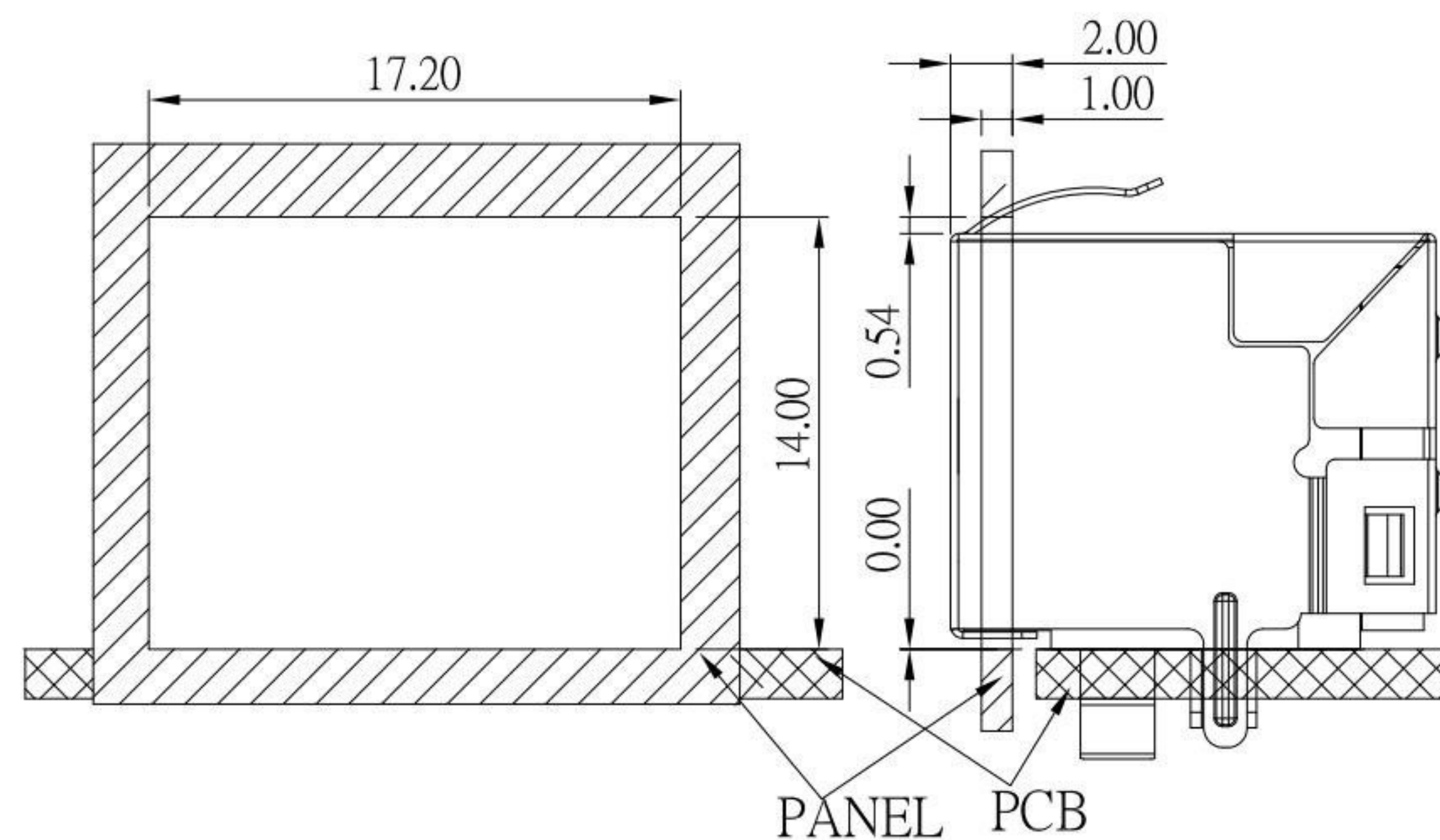
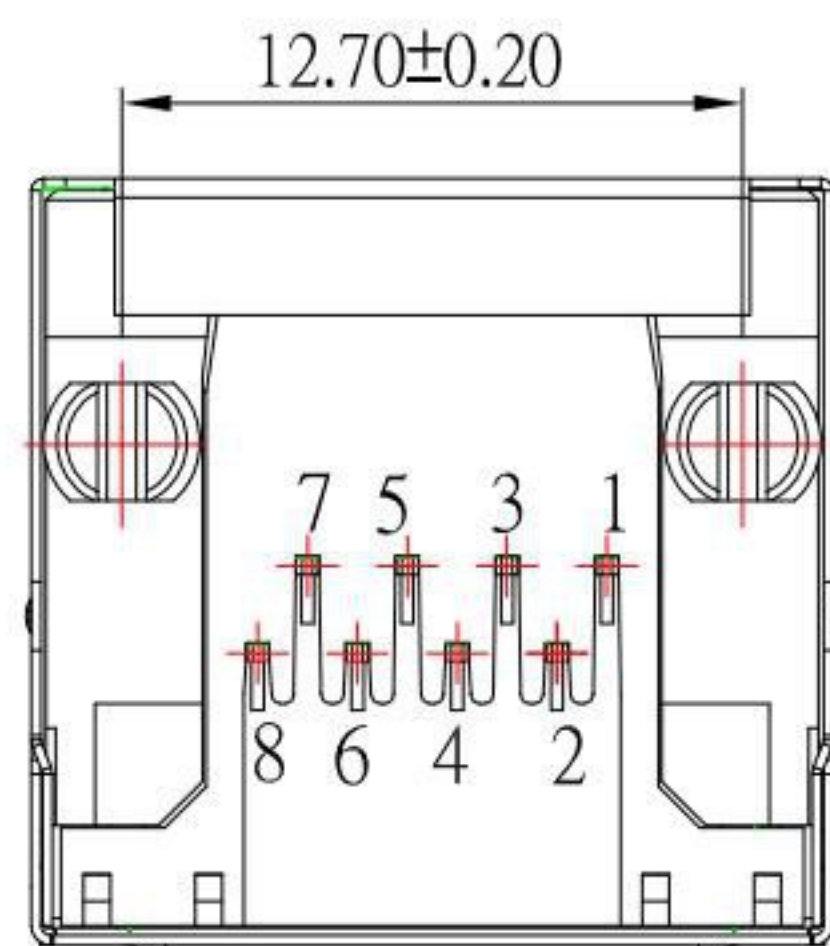
RJ45-41213-x-S118

鍍層厚度:

Blank	: 1u"
1	: 3u"
2	: 15u"
3	: 30u"
5	: 6u"
6	: 50u"



P.C.B LAYOUT



Recommended panel cutout

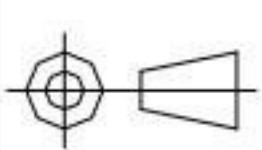
NOTE:

- 1.Housing:PA46, Black
- 2.Insert: PBT, Black
- 3.Contact: Phosphor Bronze, Gold Plating Over Nickel
- 4.Shielding: Brass,Nickel Plated

KSD 科斯达电子科技有限公司
SWITCH CONNECTOR KSD ELECTRONIC TECHNOLOGY Co., LTD
全球 互联零组件制造企业

TOLERANCE UNLESS OTHERWISE STATED:
Up to 5 ±0.2
Above 5 ~ 15 ±0.3
Above 15 ~ 30 ±0.4
Above 30 ~ 50 ±0.5
Angle ±0.3°

3RD. ANGEL'S



UNITS MM

DRAWN BY: Jack Lu
DATE: 10/13/21
CHECKED BY: Jacky Chen
DATE: 10/13/21
APPROVED BY: Tony Kao
DATE: 10/13/21

MAT'L
FINISH
SCALE: 1:1
SHEET NO. 2 of 1

TITLE: RJ45
MODLE: RJ45
DWG NO.: RJ45-41213-x-S118
PART NO.: RJ45-41213-x-S118

SIZE: A4
VER: R1

1	更新材質	Jack	101321
ITEM NO.	DESCRIPTION	DRAWN	DATE