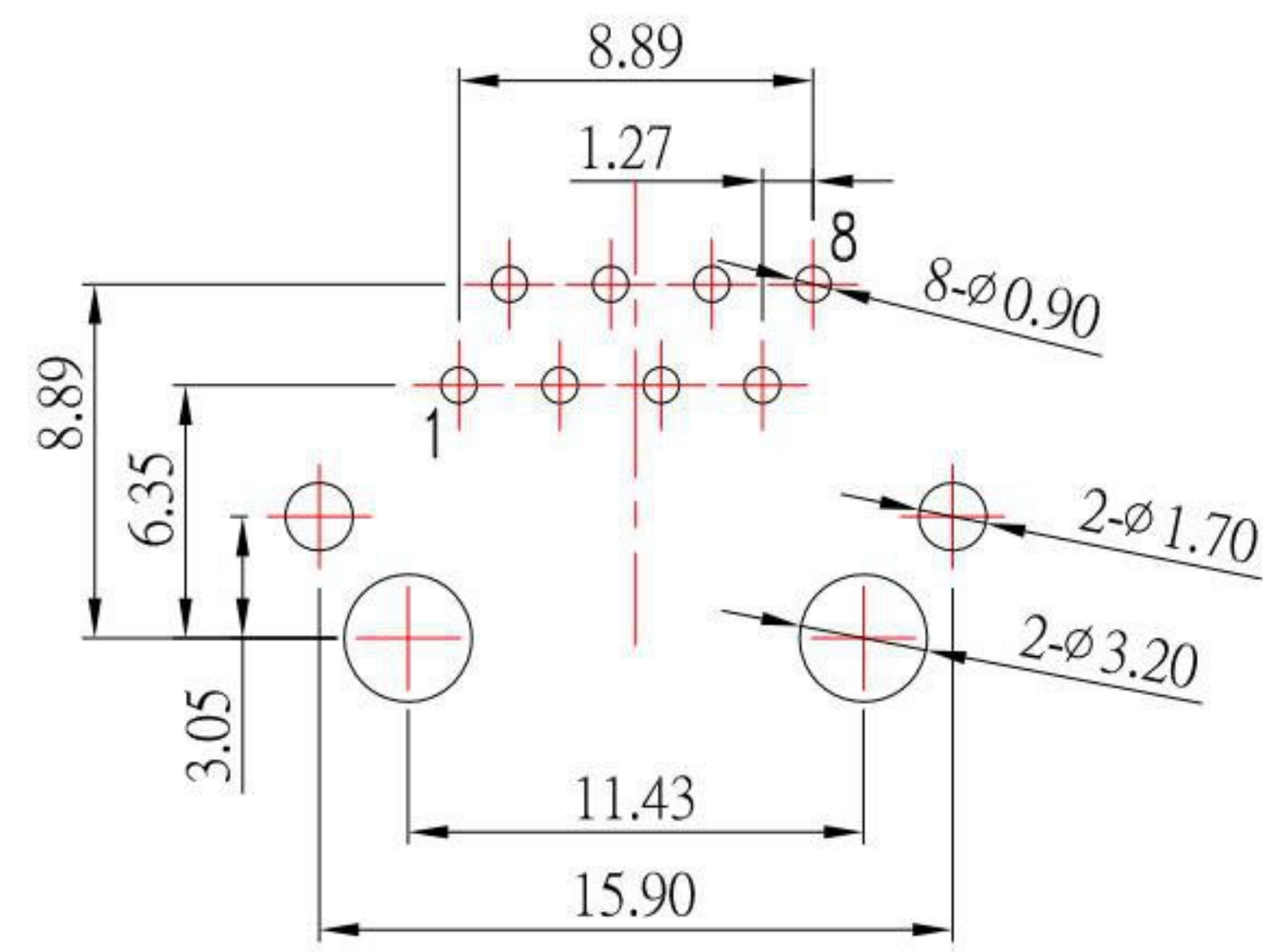


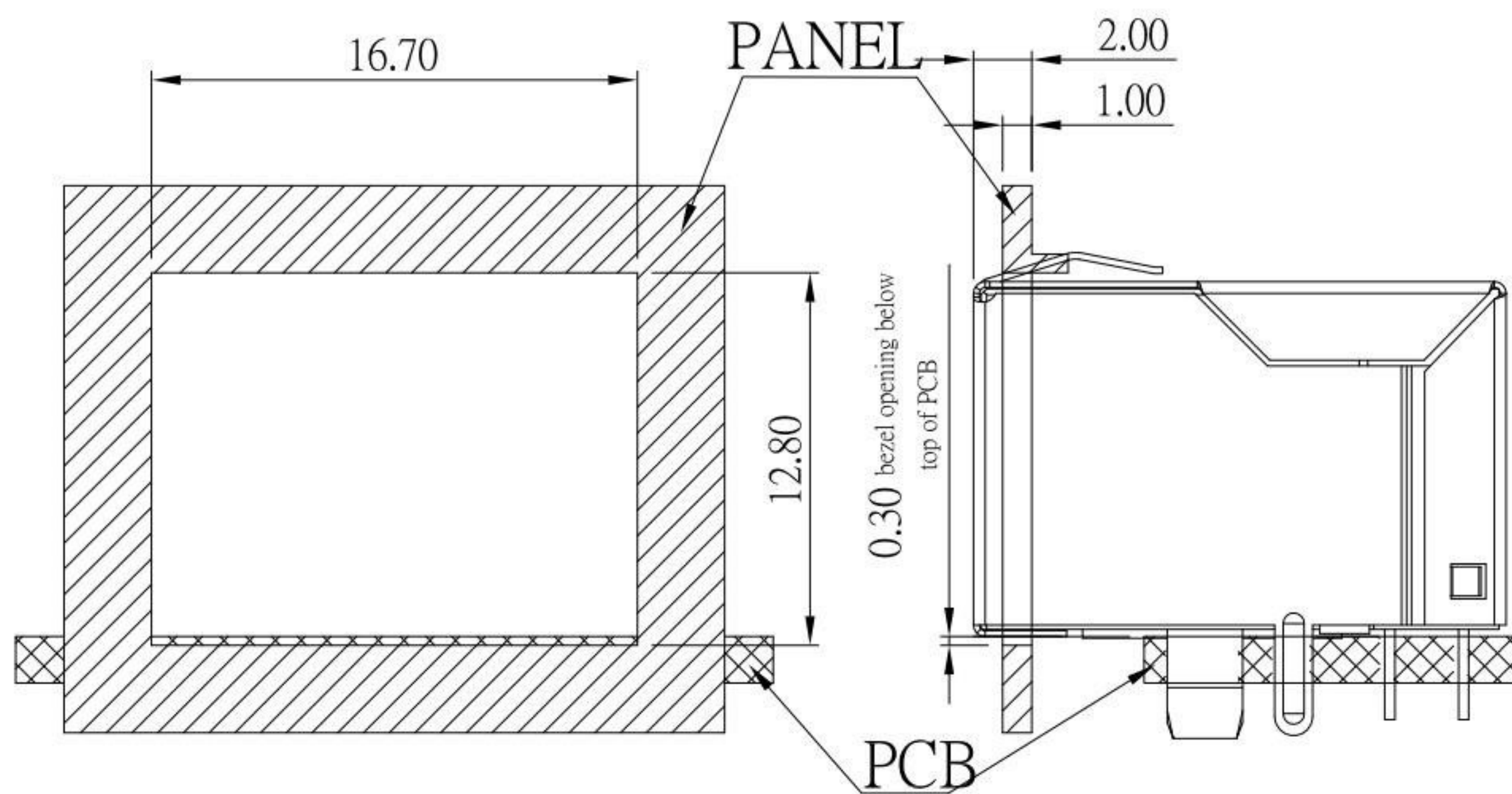
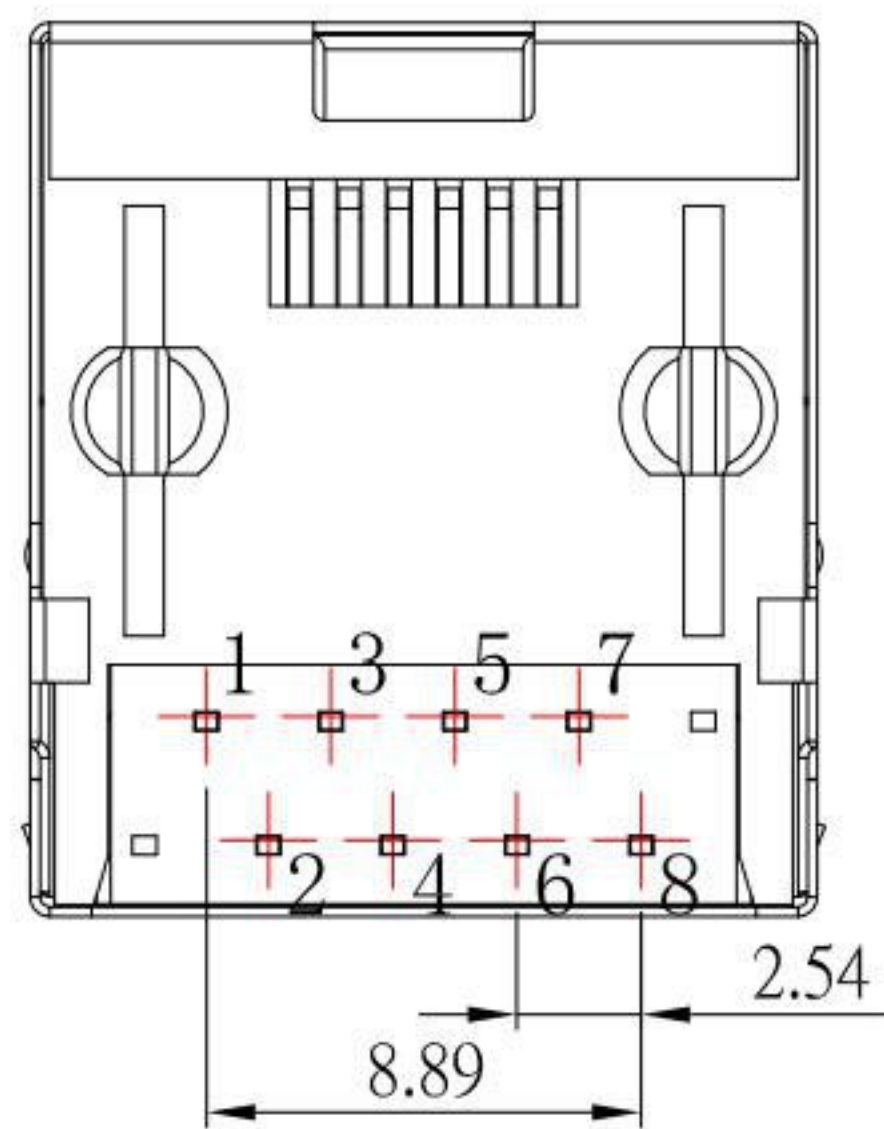
RJ45-41804-x-S118

鍍層厚度:

Blank	: 1u"
1	: 3u"
2	: 15u"
3	: 30u"
5	: 6u"
6	: 50u"



P.C.B LAYOUT



Recommended panel cutout

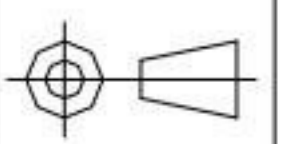
NOTE:

- 1.Housing:PA46, Black
- 2.Insert: PBT, Black
- 3.Contact: Phosphor Bronze, Gold Plating Over Nickel
- 4.Shielding: Copper Alloy,Nickel Plated

**KSD** 科斯达电子科技有限公司  
SWITCH CONNECTOR KSD ELECTRONIC TECHNOLOGY Co., LTD  
全球 互聯零組件製造企業

TOLERANCE UNLESS OTHERWISE STATED :  
Up to 5 ±0.2  
Above 5 ~ 15 ±0.3  
Above 15 ~ 30 ±0.4  
Above 30 ~ 50 ±0.5  
Angle ±0.3°

3RD. ANGEL'S



UNITS MM

DRAWN BY: Jack Lu  
DATE: 06/22/21  
CHECKED BY: Jacky Chen  
DATE: 06/22/21  
APPROVED BY: Tony Kao  
DATE: 06/22/21

MAT'L		TITLE	RJ45
FINISH		MODLE	RJ45
SCALE	1 : 1	DWG NO.	RJ45-41804-x-S118
SHEET NO.	2 of 1	PART NO.	RJ45-41804-x-S118

SIZE A4  
VER R

ITEM NO.	DESCRIPTION	DRAWN	DATE