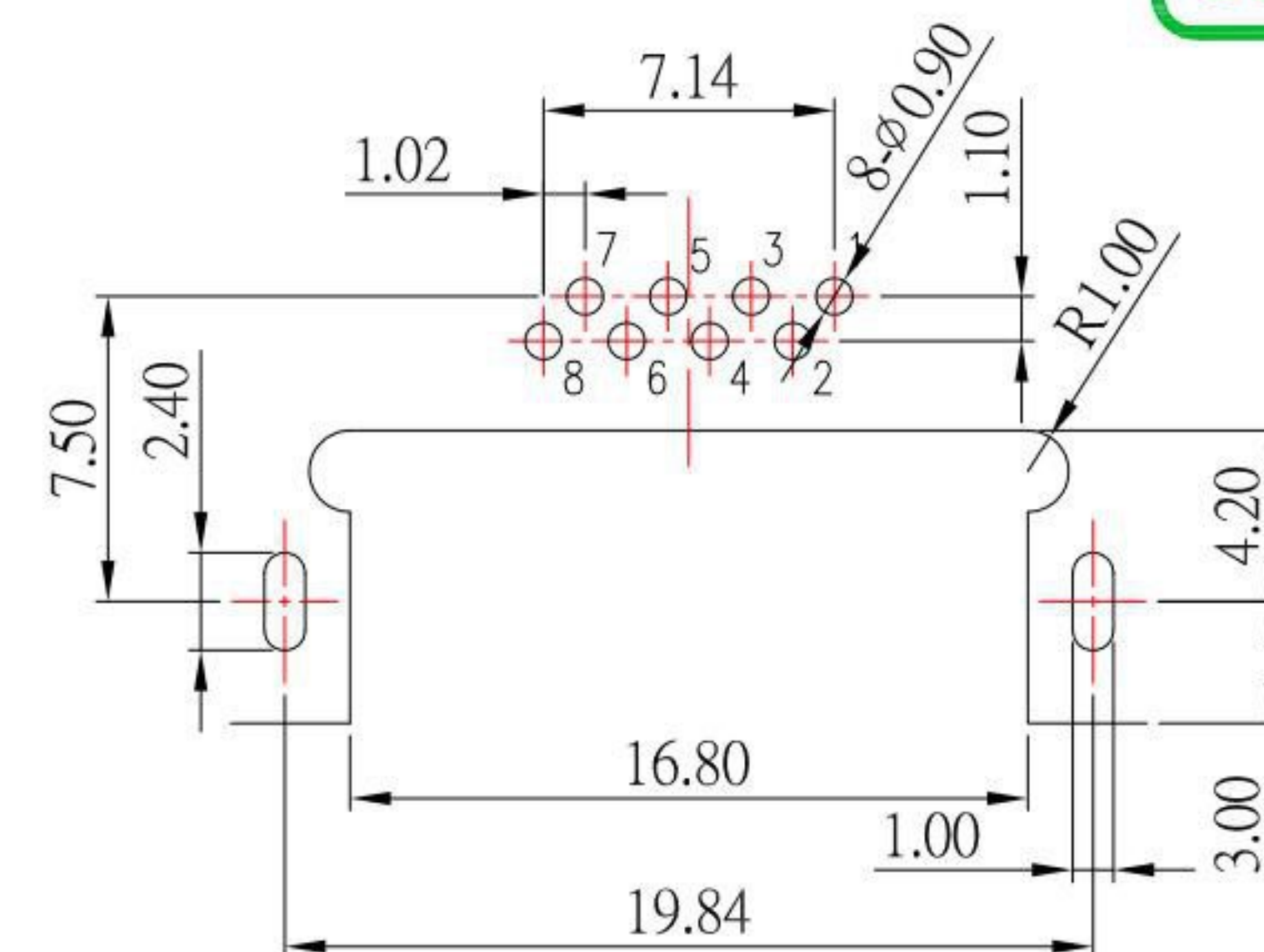
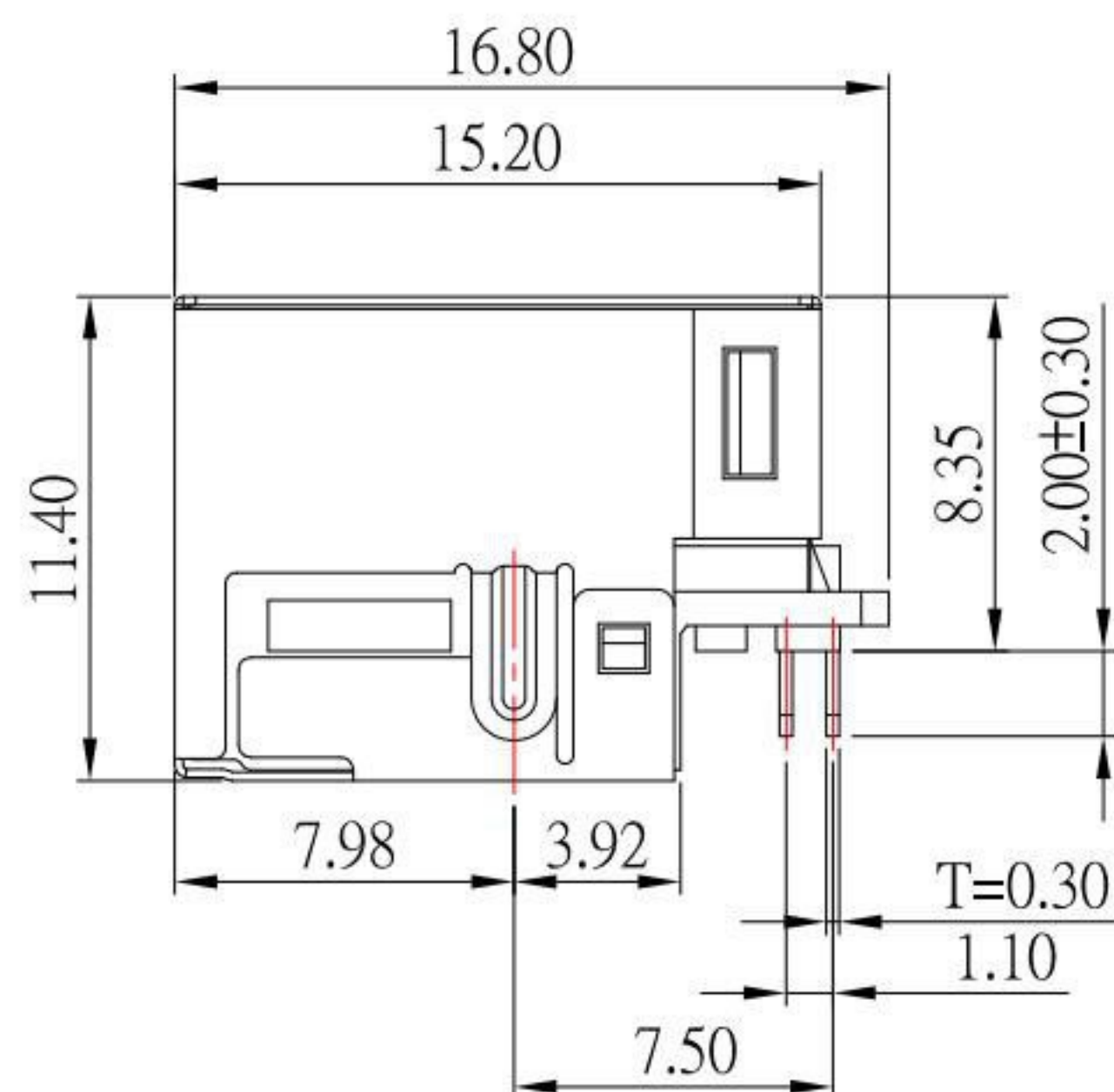
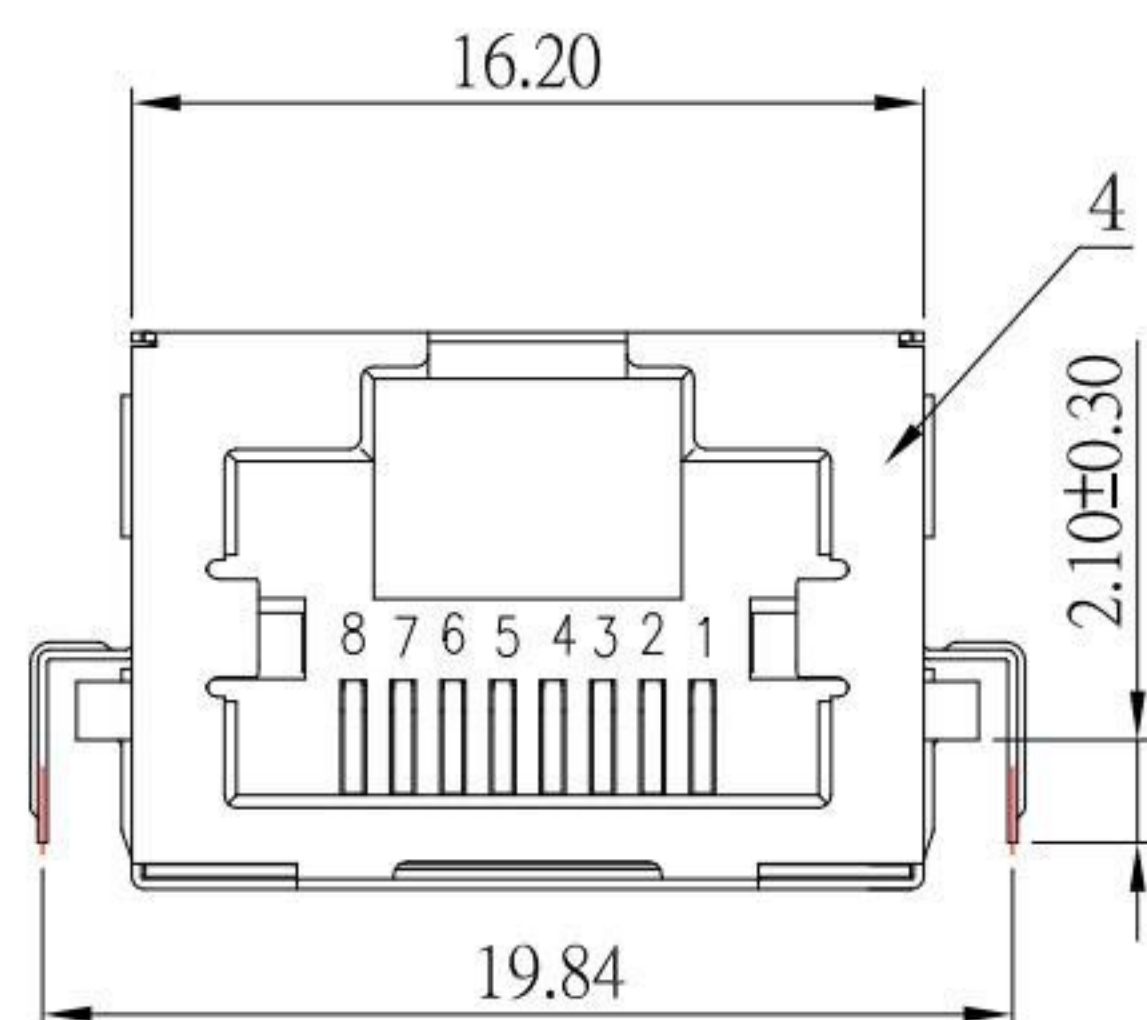
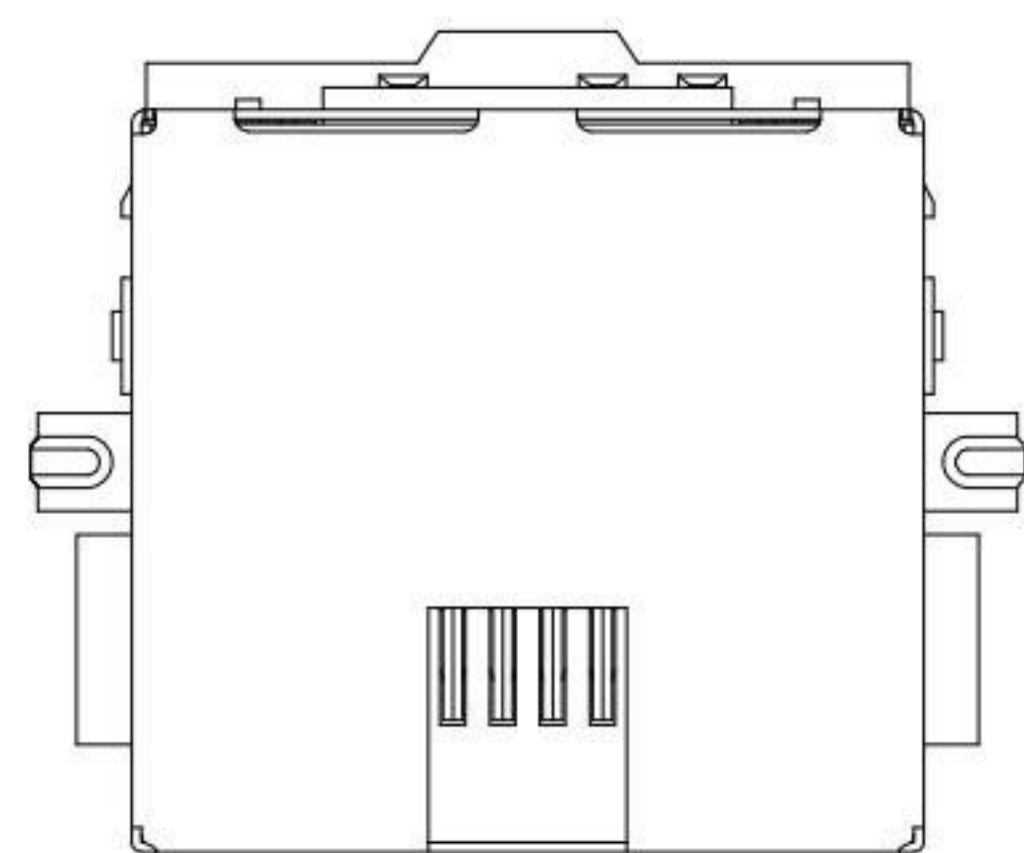




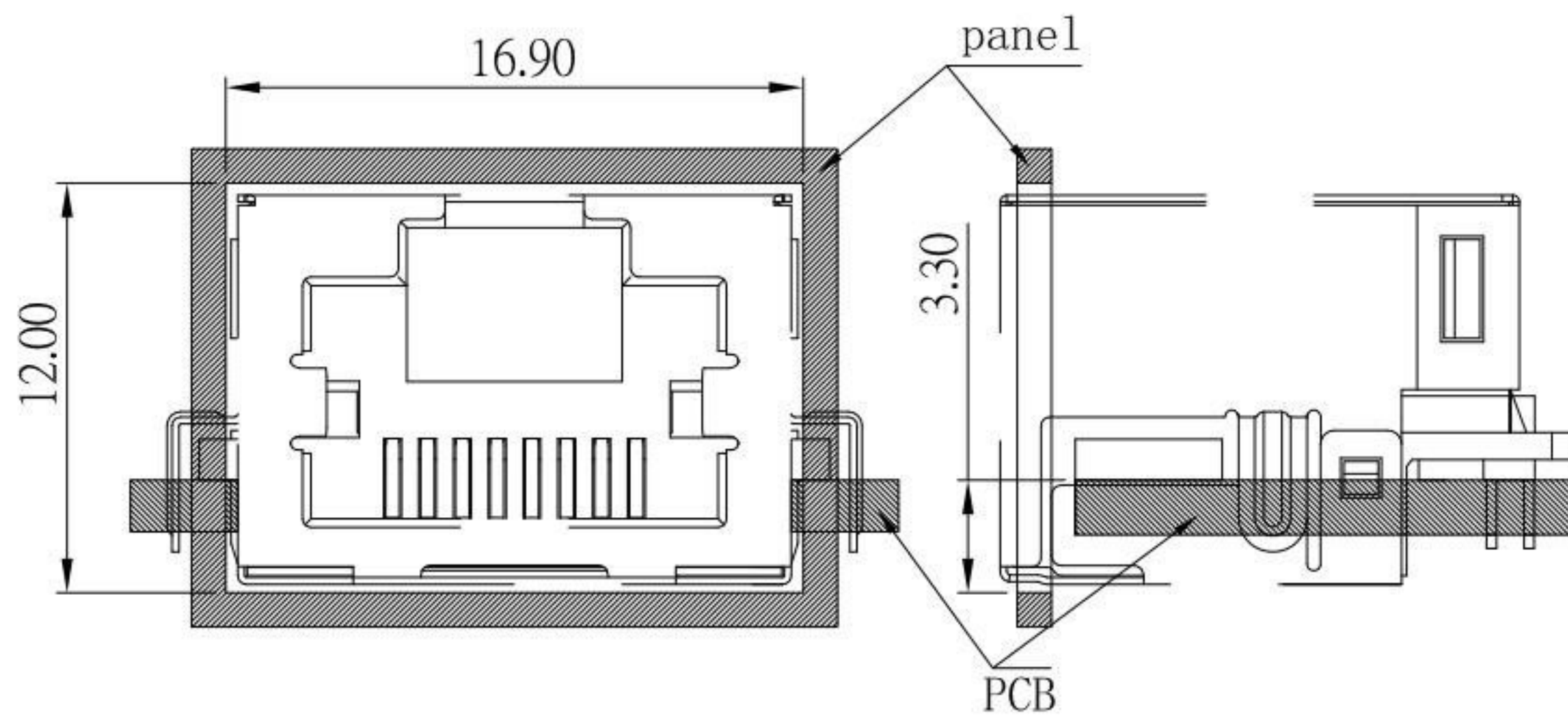
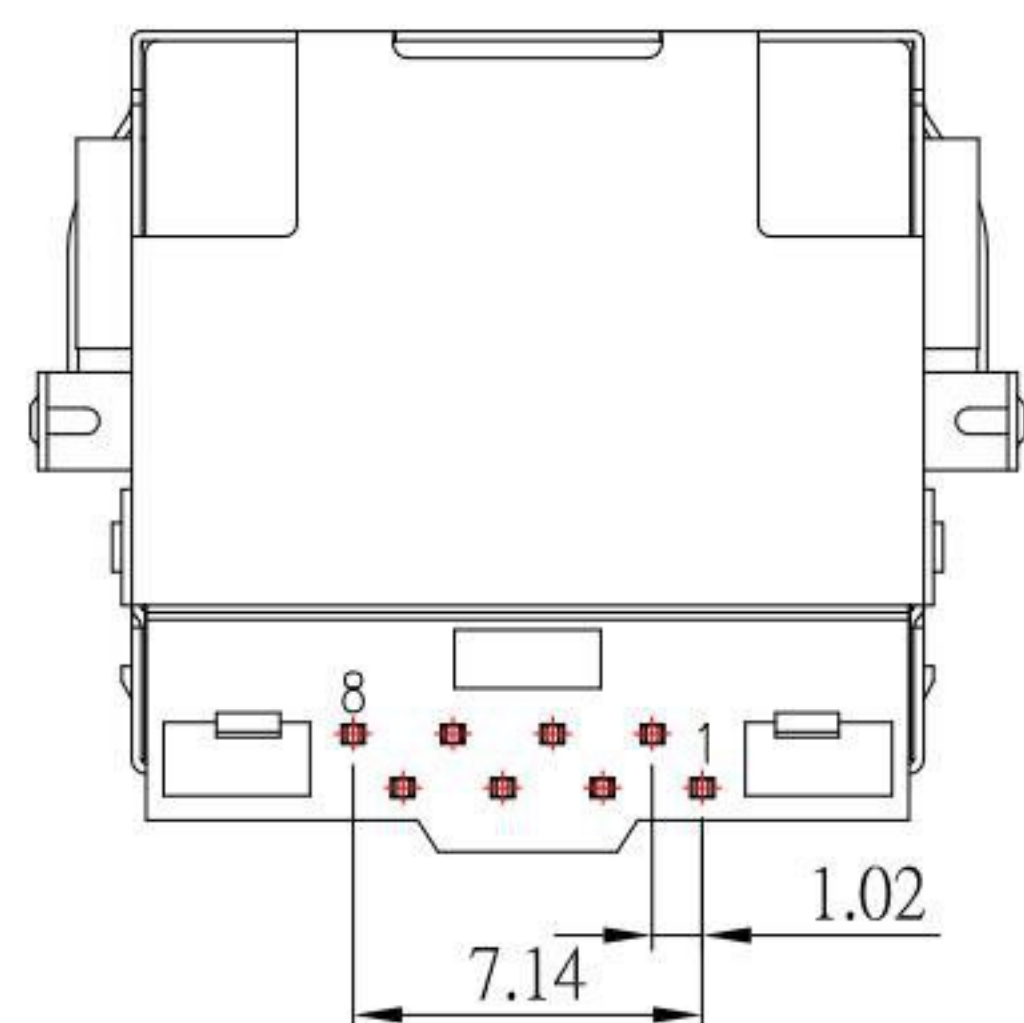
RJ45-41933-x-S118

鍍層厚度:

Blank	: 1u"
1	: 3u"
2	: 15u"
3	: 30u"
5	: 6u"



P.C.B LAYOUT
TOP VIEW



Recommended panel cutout.

NOTES:

ELECTRICAL:

1. VOLTAGE RATING : 125 VAC RMS.
2. CURRENT RATING : 1.5 AMP.
3. CONTACT RESISTANCE : 30 MILLIOHMS MAX.
4. INSULATION RESISTANCE : 1000 MEGOHMS MIN @ 500 VDC.
5. DIELECTRIC STRENGTH : 1000 VDC RMS 60Hz, 1MIN.
6. OPERATING: 750 CYCLES MIN.

MATERIALS:

1. Housing: LCP BLACK
2. Cover: LCP BLACK
3. Shielding: Copper Alloy with Nickel Plated.
4. Contact: Phosphor Bronze gold Plating Over Nickel.

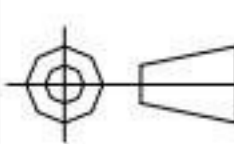
ENVIRONMENTAL:

1. STORAGE: -40° C TO +85° C.
2. OPERATION : -40° C TO +85° C.

KSD 科斯达电子科技有限公司
SWITCH CONNECTOR KSD ELECTRONIC TECHNOLOGY Co., LTD
全球 互联零组件制造企业

TOLERANCE UNLESS OTHERWISE STATED:
Up to 5 ±0.2
Above 5 ~ 15 ±0.3
Above 15 ~ 30 ±0.4
Above 30 ~ 50 ±0.5
Angle ±0.3°

3RD. ANGEL'S



UNITS MM

DRAWN BY: Jack Lu
DATE: 07/08/21
CHECKED BY: Jacky Chen
DATE: 07/08/21
APPROVED BY: Tony Kao
DATE: 07/08/21

MAT'L		TITLE	RJ45
FINISH		MODLE	RJ45
SCALE	1:1	DWG NO.	RJ45-41933-x-S118
SHEET NO.	2 of 1	PART NO.	RJ45-41933-x-S118

SIZE A4
VER R

ITEM NO.	DESCRIPTION	DRAWN	DATE