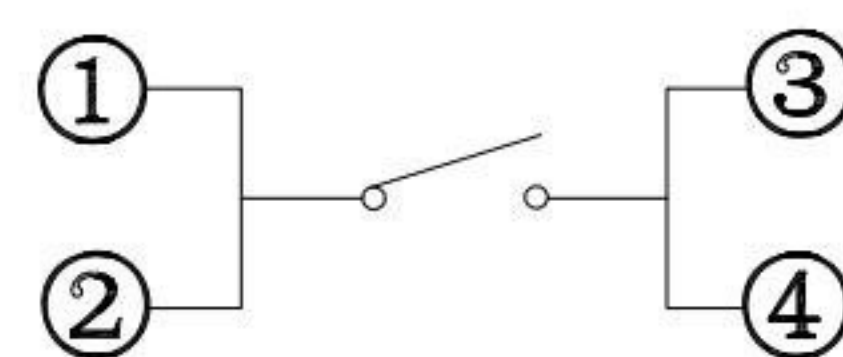
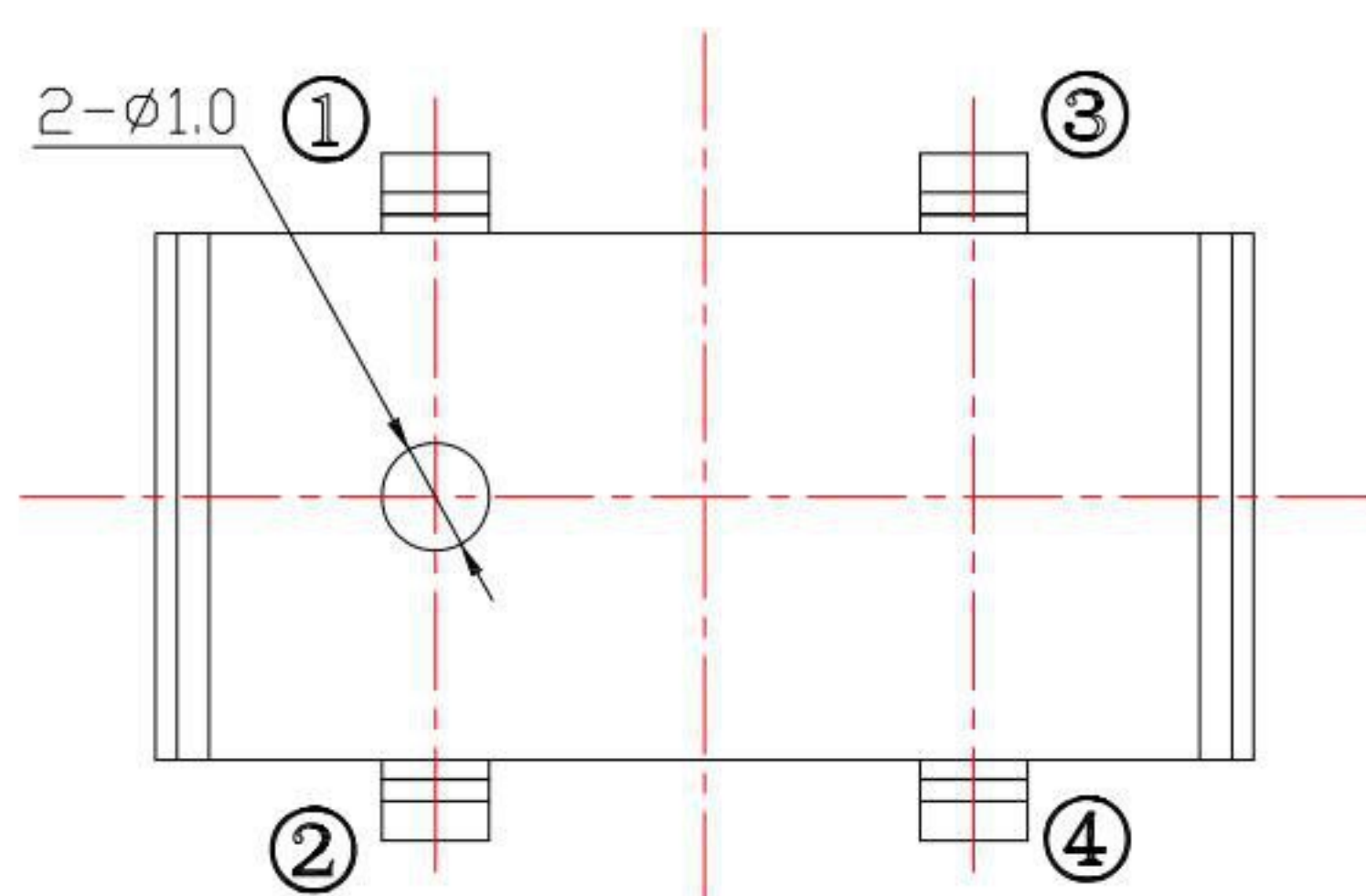


MOUNTING HOLES

SPECIFICATION

1. RATING : DC12V, 0.1A ;
2. CONTACT RESISTANCE : ≤ 100mΩ ;
3. INSULATION RESISTANCE : ≥ 100MΩ ;
- 4 .OPERATING TEMPERATURE : -25°C ~ +80°C ;
5. HUMIDITY APPLICATION : < 85% RH ;
6. OPERATING FORCE : 40±15gf ;
7. LIFE : 50,000 CYCLES ;



SCHEMATIC

ITEM	PART NAME	QTY	MATERIAL	FINISHING
⑤	Terminal	4	BRASS	Ag Plating
④	Base	1	NYLON	Black
③	Contact	1	PHOSPHOR BRONZE	Ag Plating
②	Cover	1	POM	Black
①	Button	1	POM	Black

KSD 科斯达电子科技有限公司
 SWITCH CONNECTOR KSD ELECTRONIC TECHNOLOGY Co., LTD
 全球 互 联 零 组 件 制 造 企 业

TOLERANCE UNLESS OTHERWISE STATED :	Up to 5 ±0.2	Above 5 ~ 15 ±0.3	Above 15 ~ 30 ±0.4	Above 30 ~ 50 ±0.5	Angle ±0.3°
	3RD. ANGEL'S	UNITS	MM		

DRAWN BY:	DATE	MAT'L	TITLE	SWITCH
Jack Lu	03/19/20	FINISH	MODLE	DETECTOR SWITCH
CHECKED BY:	DATE	SCALE	DWG NO.	RM021-01C-S379
Jacky Chen	03/19/20	1 : 1	PART NO.	RM021-01C-S379
APPROVED BY:	DATE	SHEET NO.		
Tony Kao	03/19/20	1 of 1		

ITEM NO.	DESCRIPTION	DRAWN	DATE