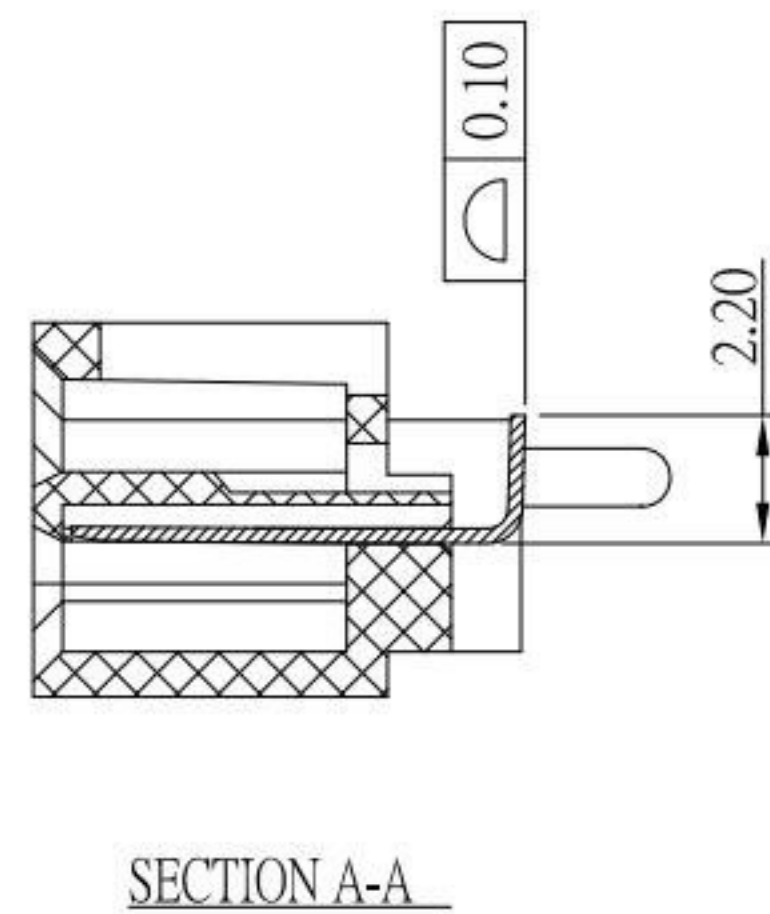
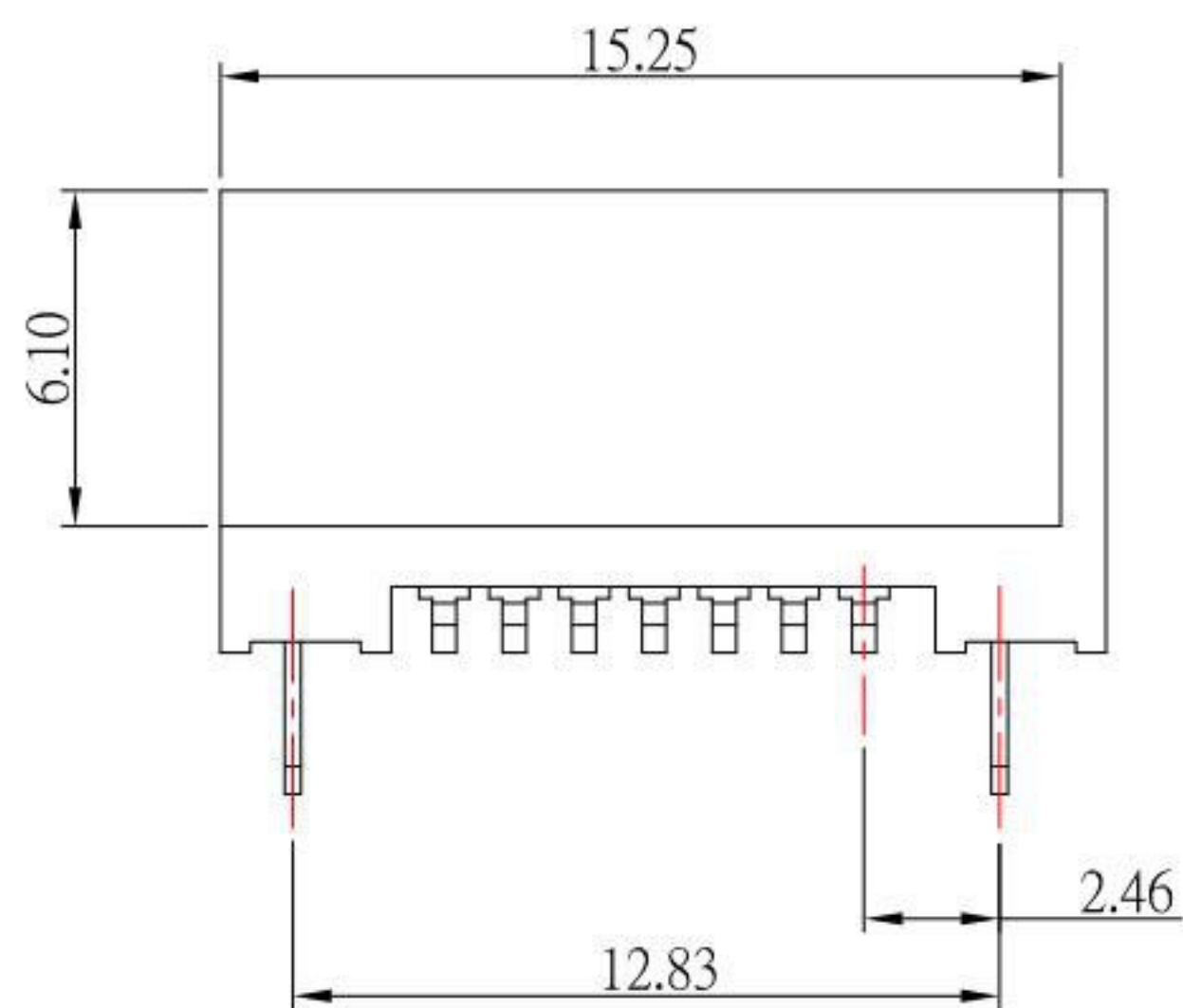
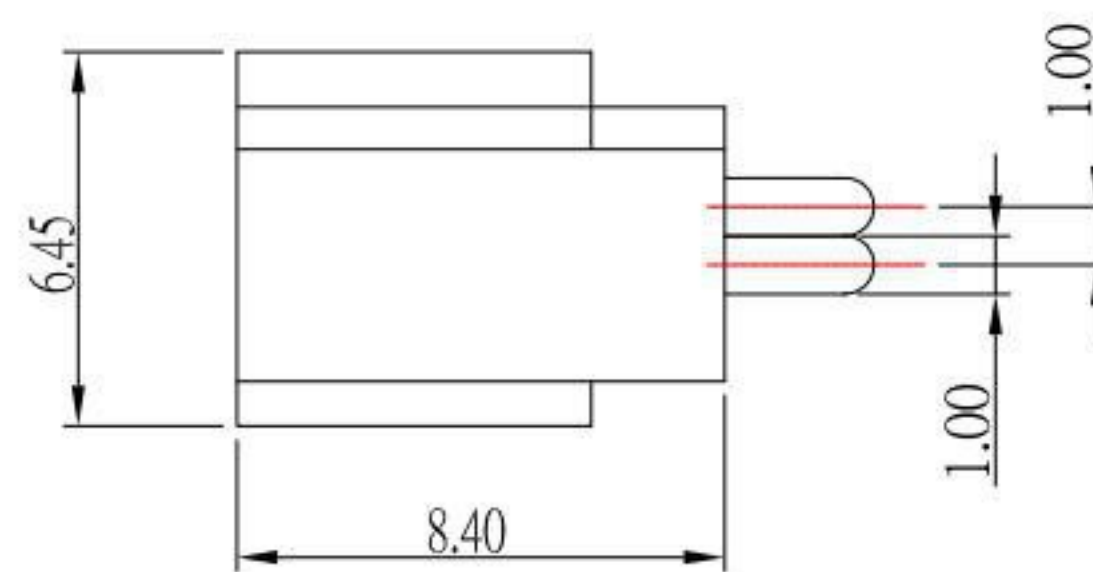
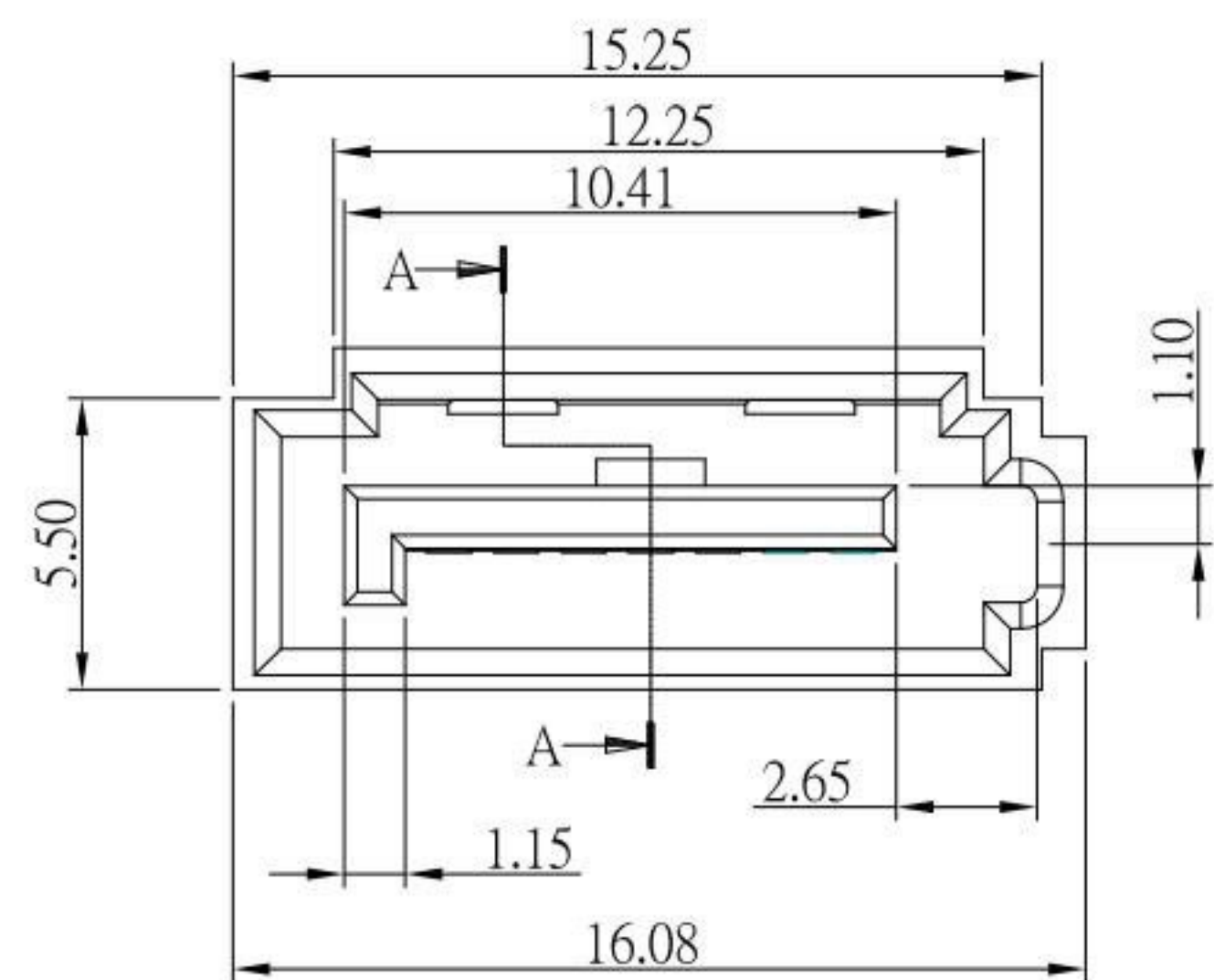


SATA-7B-84VS-x-S268

鍍層厚度:

Blank : 1u"
2 : 15u"
3 : 30u"



SPECIFICATION:

1.MATERIAL:

Housing: LCP , Black.

Contact: BRASS

Board Lock: BRASS

2.Finish:

Contact: Plated Gold in Mating Area ;

Tin Plated on Solder Balls ;

Nickel under plated overall

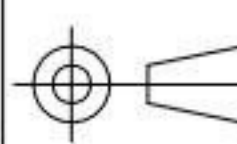
Board Lock: Tin Plated on Solder Balls ;

Nickel under plated overall

KSD 科斯达电子科技有限公司
SWITCH CONNECTOR KSD ELECTRONIC TECHNOLOGY Co., LTD
全球 互联零组件制造企业

TOLERANCE UNLESS OTHERWISE STATED :
Up to 5 ±0.2
Above 5 ~ 15 ±0.3
Above 15 ~ 30 ±0.4
Above 30 ~ 50 ±0.5
Angle ±0.3

3RD. ANGEL'S



UNITS

MM

DRAWN BY: Jack Lu
DATE: 04/02/18
CHECKED BY: Jacky Chen
DATE: 04/02/18
APPROVED BY: Tony Kao
DATE: 04/02/18

MAT'L		TITLE	CONNECTOR
FINISH		MODLE	SATA 7P B 型開槽全包裝地片SMT
SCALE	1 : 1	DWG NO.	SATA-7B-84VS-x-S268
SHEET NO.	1 of 1	PART NO.	SATA-7B-84VS-x-S268

1	更新為A0版	Jack	040218
ITEM NO.	DESCRIPTION	DRAWN	DATE