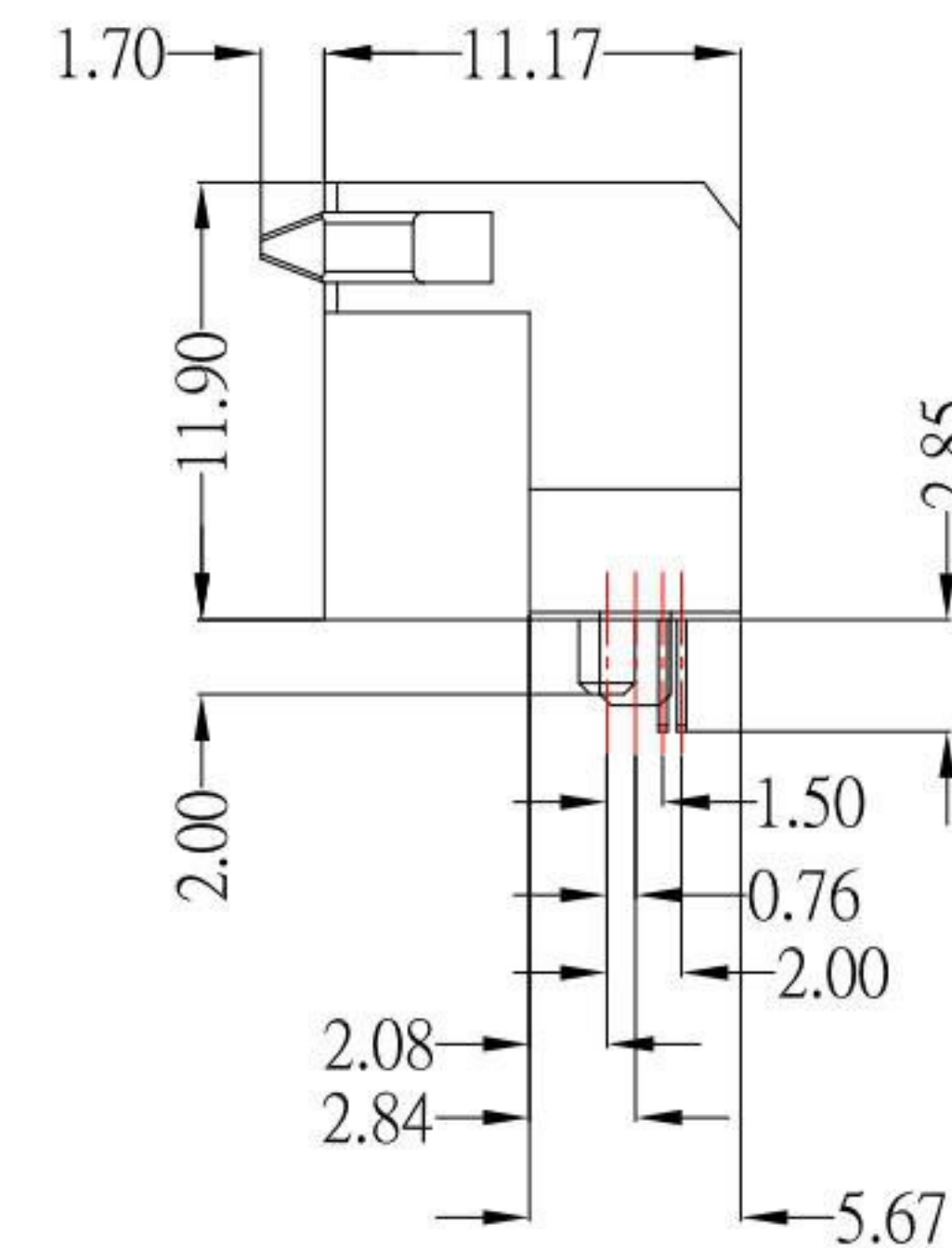
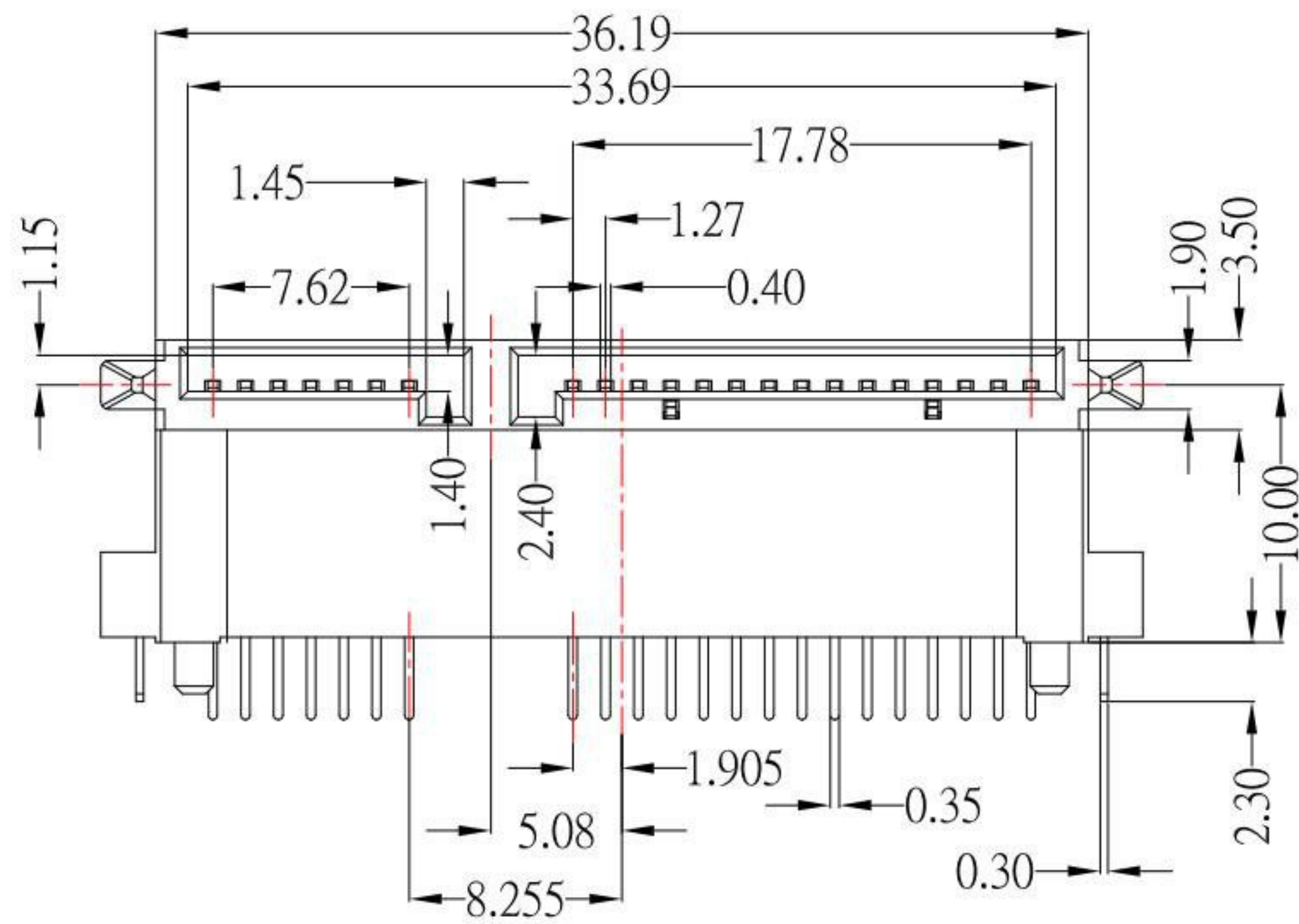


RECOMMENDED PCB LAYOUT



SPECIFICATION:

1.MATERIAL:

1.1 HOUSING: LCP , UL 94V-0 , Black.

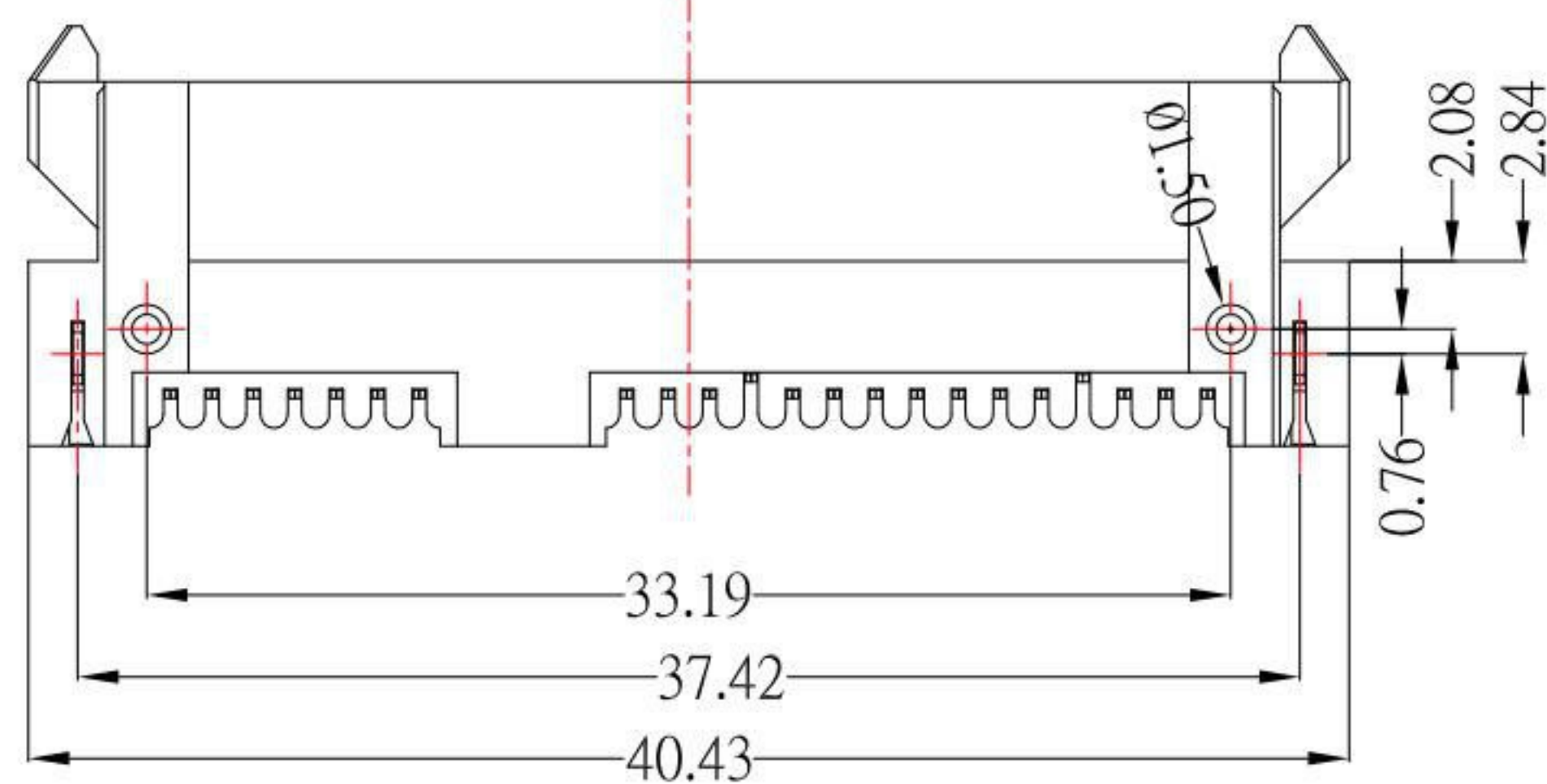
1.2 CONTACT: PHOSPHOR BRONZE

1.3 BOARD: BRASS

2.Finish:

2.1 CONTACT: PLATED TIN IN MATING AREA ;
TIN PLATED ON SOLDER BALLS ;
NICKEL UNDER PLATED OVERALL

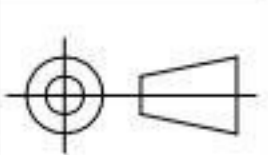
2.2 BOARD: TIN PLATED ON SOLDER BALLS ;
NICKEL UNDER PLATED OVERALL



KSD 科斯达电子科技有限公司
SWITCH CONNECTOR KSD ELECTRONIC TECHNOLOGY Co., LTD
全球 互联零组件制造企业

TOLERANCE UNLESS OTHERWISE STATED:
Up to 5 ±0.2
Above 5 ~ 15 ±0.3
Above 15 ~ 30 ±0.4
Above 30 ~ 50 ±0.5
Angle ±0.3°

3RD. ANGEL'S



UNITS MM

DRAWN BY: Jack Lu
DATE: 05/20/16
CHECKED BY: Jacky Chen
DATE: 05/20/16
APPROVED BY: Tony Kao
DATE: 05/20/16

MAT'L
FINISH
SCALE
SHEET NO.

TITLE: CONNECTOR
MODLE: SATA 7+15P 母座 R/A, 板上 DIP 塑高 11.9mm
DWG NO.: SATA-F22-119H1-S268
PART NO.: SATA-F22-119H1-S268

SIZE: A4
VER: R1

ITEM NO.	DESCRIPTION	DRAWN	DATE
1	更新料號	Jack	052016