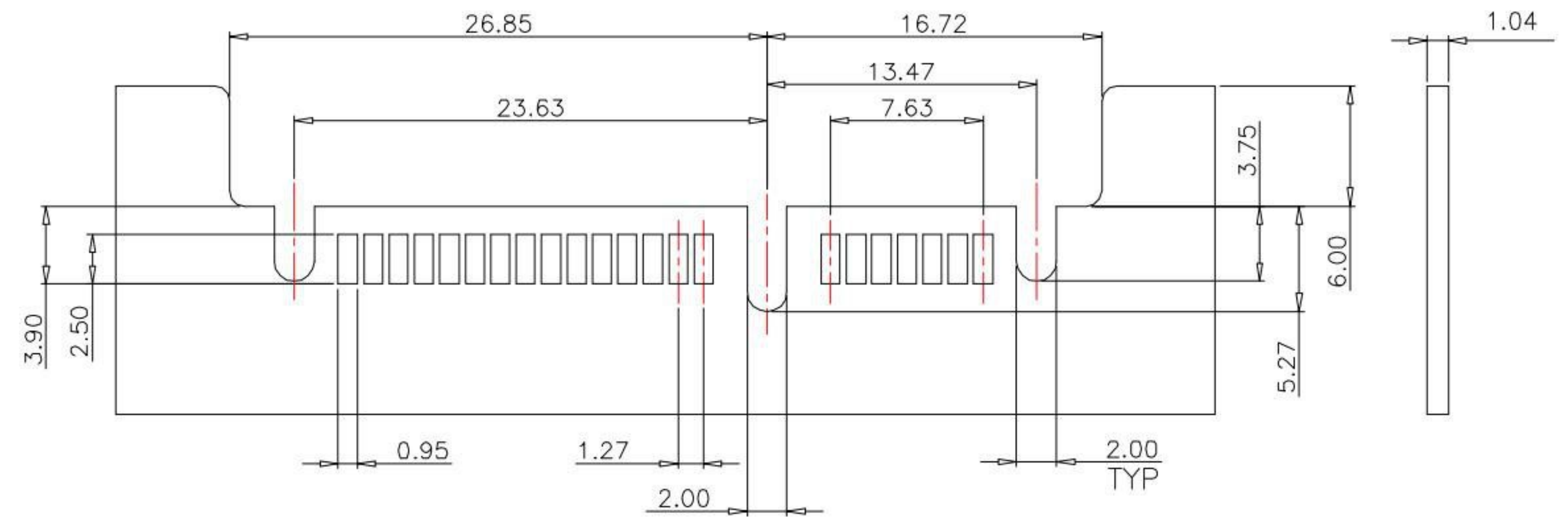
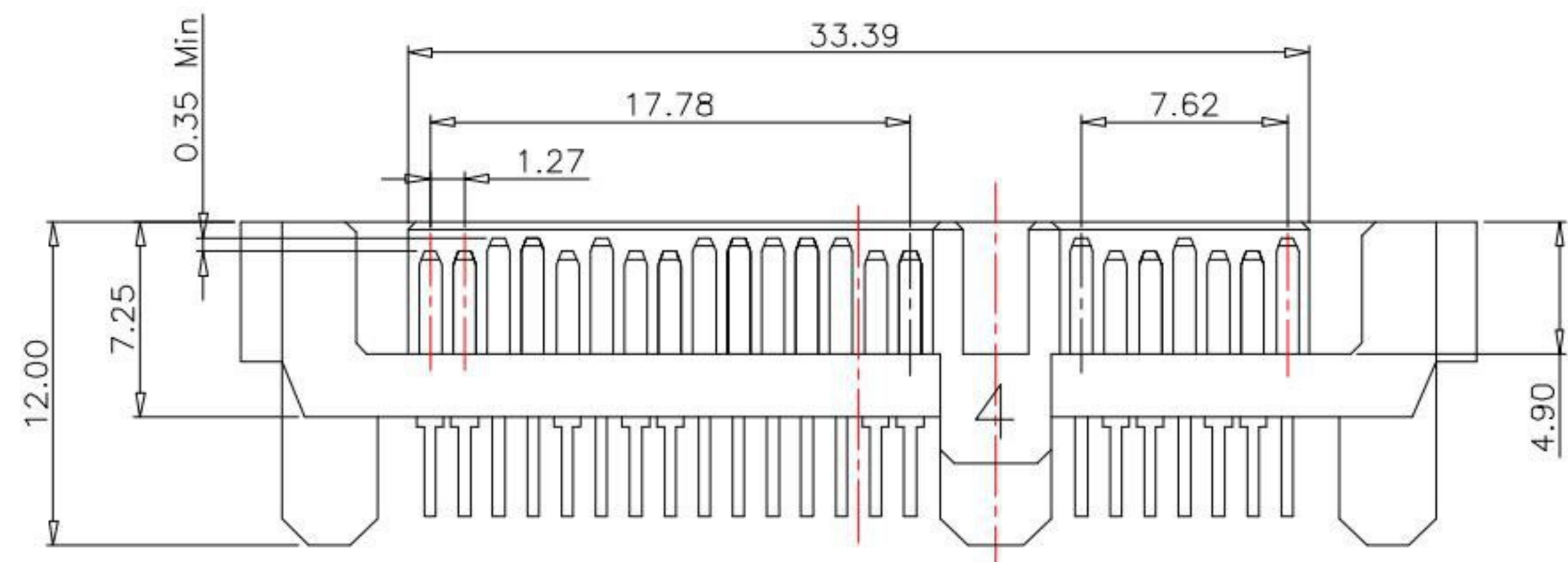
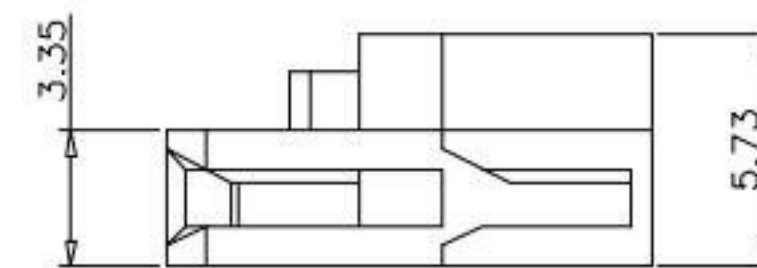
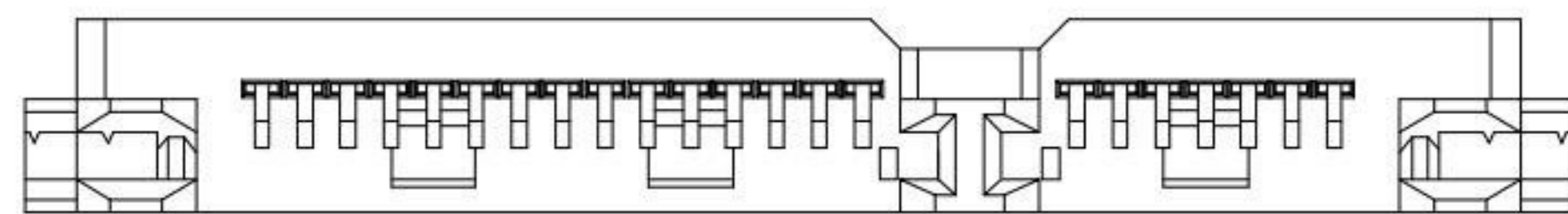


SECTION A-A



RECOMMENDED PCB LAYOUT



SPECIFICATION:

1.MATERIAL:

1.1 HOUSING: LCP , UL 94V-0 , Black.

1.2 CONTACT: BRASS

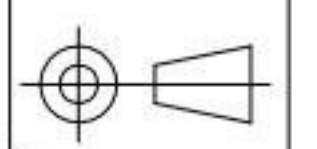
2.Finish:

2.1 CONTACT: PLATED TIN IN MATING AREA ;  
TIN PLATED ON SOLDER BALLS ;  
NICKEL UNDER PLATED OVERALL

**KSD** 科斯达电子科技有限公司  
SWITCH CONNECTOR KSD ELECTRONIC TECHNOLOGY Co., LTD  
全球 互联零组件制造企业

TOLERANCE UNLESS OTHERWISE STATED:  
Up to 5 ±0.2  
Above 5 ~ 15 ±0.3  
Above 15 ~ 30 ±0.4  
Above 30 ~ 50 ±0.5  
Angle ±0.3°

3RD. ANGEL'S



UNITS MM

DRAWN BY:	DATE	MAT'L	TITLE	CONNECTOR
Jack Lu	10/13/14			
CHECKED BY:	DATE	FINISH	MODLE	SATA 7+15P 夾板式connector 公座
Jacky Chen	10/13/14			
APPROVED BY:	DATE	SCALE	DWG NO.	SATA-M22-33S-S268
Tony Kao	10/13/14	1 : 1		
		SHEET NO.	PART NO.	SATA-M22-33S-S268
		1 of 1		

ITEM NO.	DESCRIPTION	DRAWN	DATE