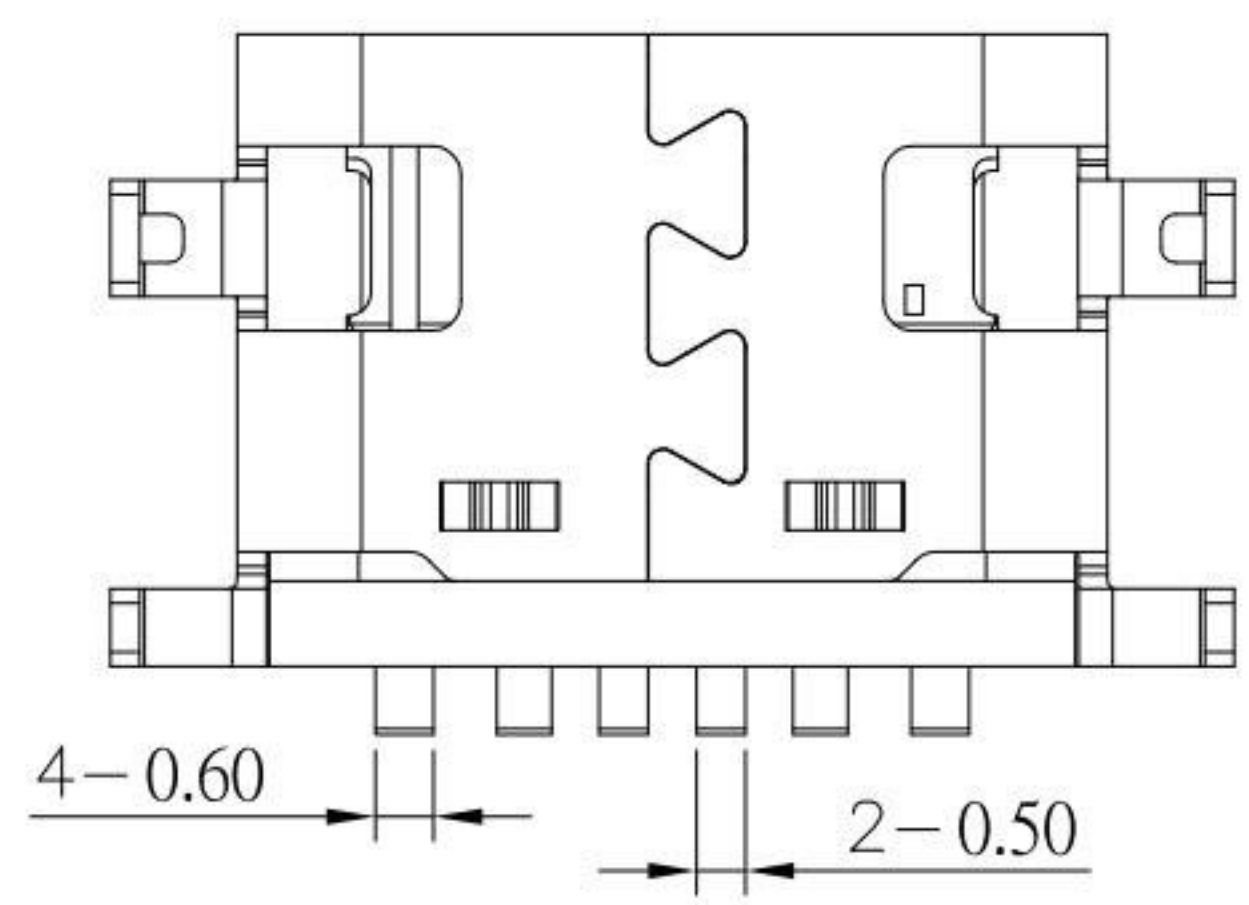
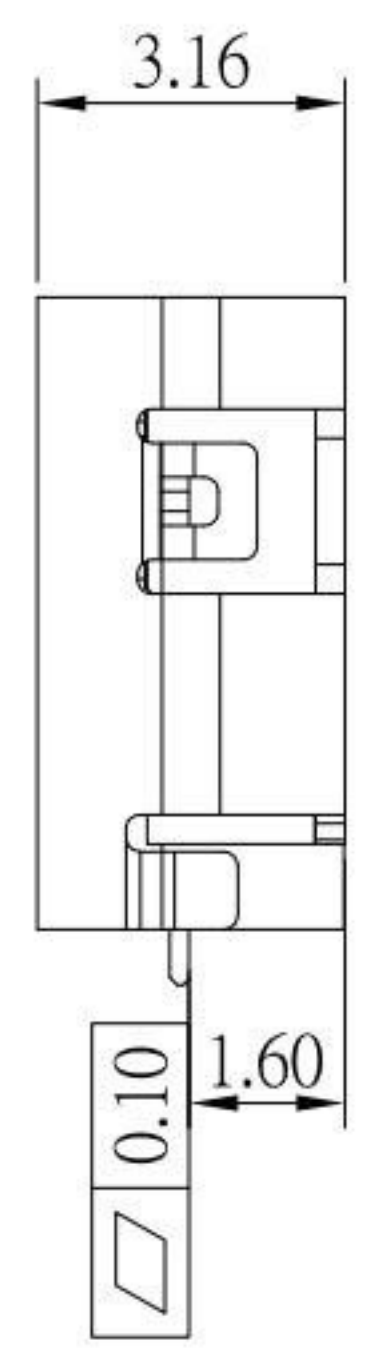
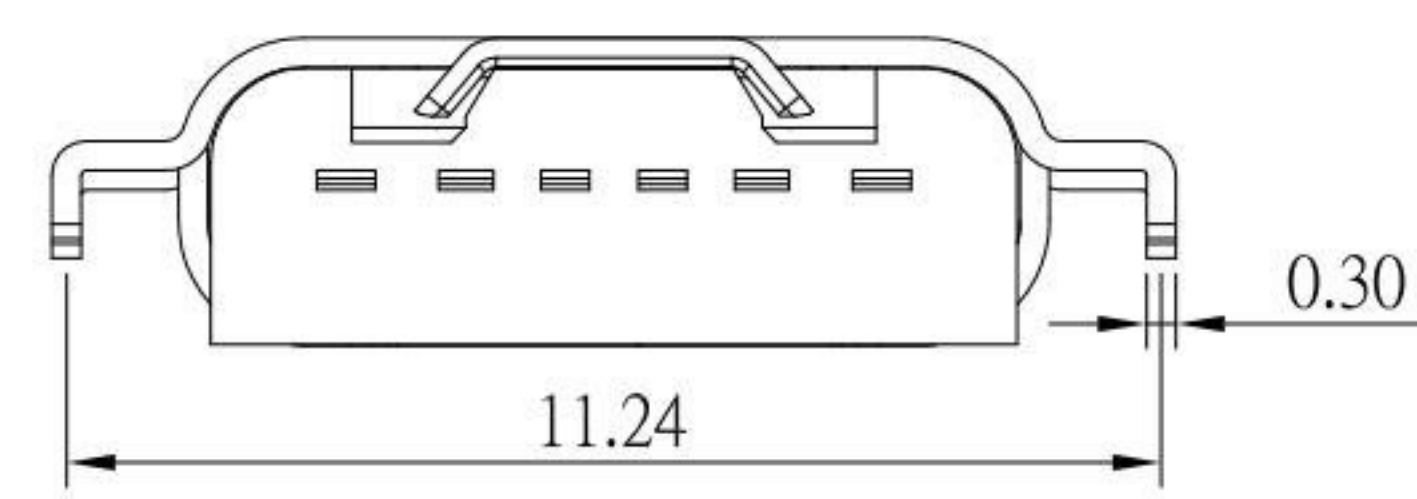
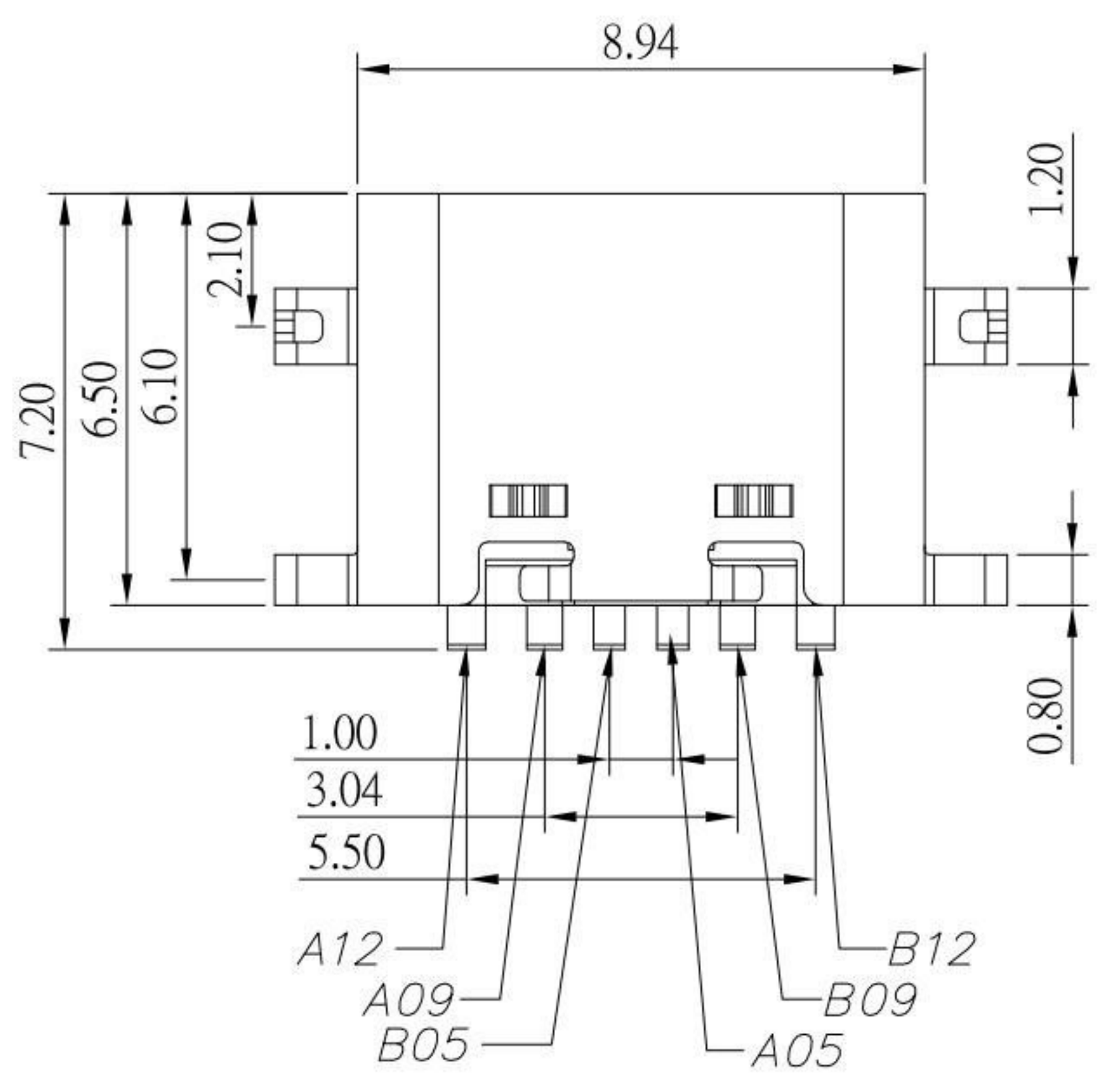
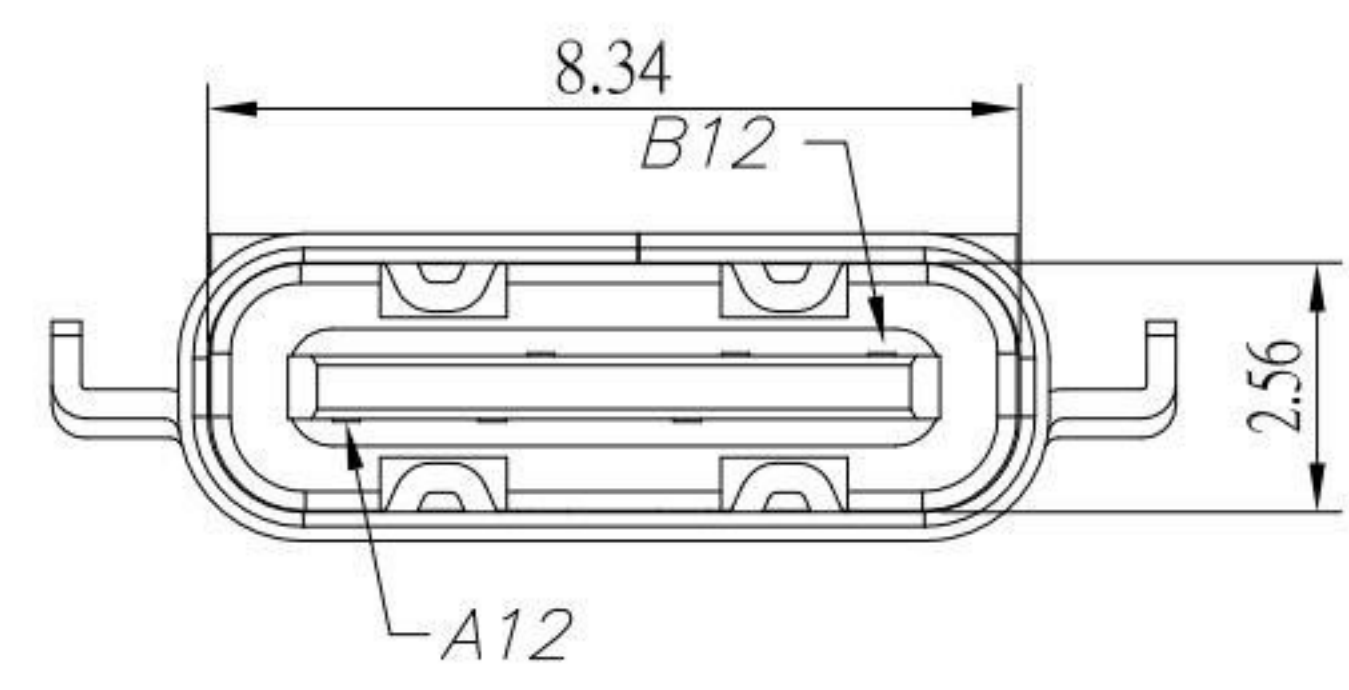




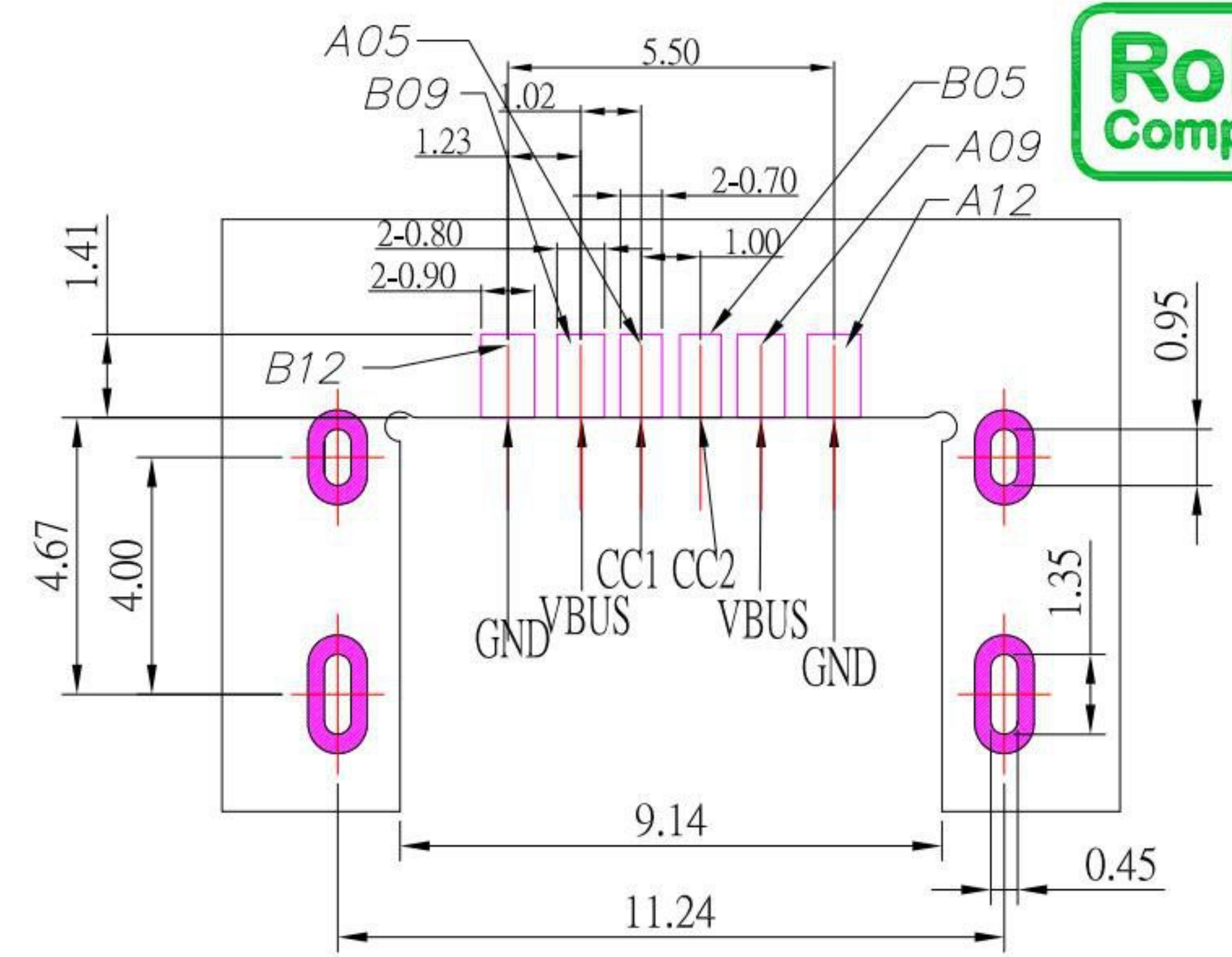
SBC-060M5-20x-S412

鍍層厚度:

Blank	: 1u"
2	: 15u"
3	: 30u"



B12	GND
B9	VBUS
B5	CC2
A5	CC1
A9	VBUS
A12	GND
PIN	SIGNAL NAME



RECOMMENDED P.C.B. LAYOUT

SPECIFICATIONS

Electrical:

- Rating: 20 V, 3.0 A for VBUS, 1.25A for GND
0.25A for other
- Dielectric Withstand Voltage: 100V AC
- Contact Resistance: 40 mΩ Max
- Insulation Resistance: 100 MΩ Min

Mechanical:

- Connector Mate and Unmate Force
 - Mate force: 5~20 N
 - Unmate force: 8~20 N

Material:

- Housing: LCP
- Contact: COPPER ALLOY
- Shell: SUS

Finish:

- Contact: Plated Gold in Mating Area ;
Tin Plated on Solder Balls ;
Nickel under plated overall
- Shell: Nickel under Plated surface layer

KSD 科斯达电子科技有限公司
SWITCH CONNECTOR KSD ELECTRONIC TECHNOLOGY Co., LTD
全球 互联零组件制造企业

TOLERANCE UNLESS OTHERWISE STATED:

Up to 5	±0.2
Above 5 ~ 15	±0.3
Above 15 ~ 30	±0.4
Above 30 ~ 50	±0.5
Angle	±0.3°

3RD. ANGEL'S

DRAWN BY:	DATE
Jack Lu	07/02/20
CHECKED BY:	DATE
Jacky Chen	07/02/20
APPROVED BY:	DATE
Tony Kao	07/02/20

MAT'L	TITLE	CONNECTOR
FINISH	MODLE	USB C TYPE 2.0 Female SMT 6PIN 沉板
SCALE	DWG NO.	SBC-060M5-20x-S412
SHEET NO.	PART NO.	SBC-060M5-20x-S412
1 of 1		

2	更新圖面	Jack	070220
1	更新尺寸	Jack	111119
ITEM NO.	DESCRIPTION	DRAWN	DATE