



SBC-060P-20x-S165

鍍層厚度:

Blank	: 1u"
2	: 15u"
3	: 30u"

SPECIFICATIONS

Electrical:

1. Rating: 100 V, 3.0 A
2. Dielectric Withstand Voltage: 100V AC
3. Contact Resistance: 40 mΩ Max
4. Insulation Resistance: 100 MΩ Min

Mechanical:

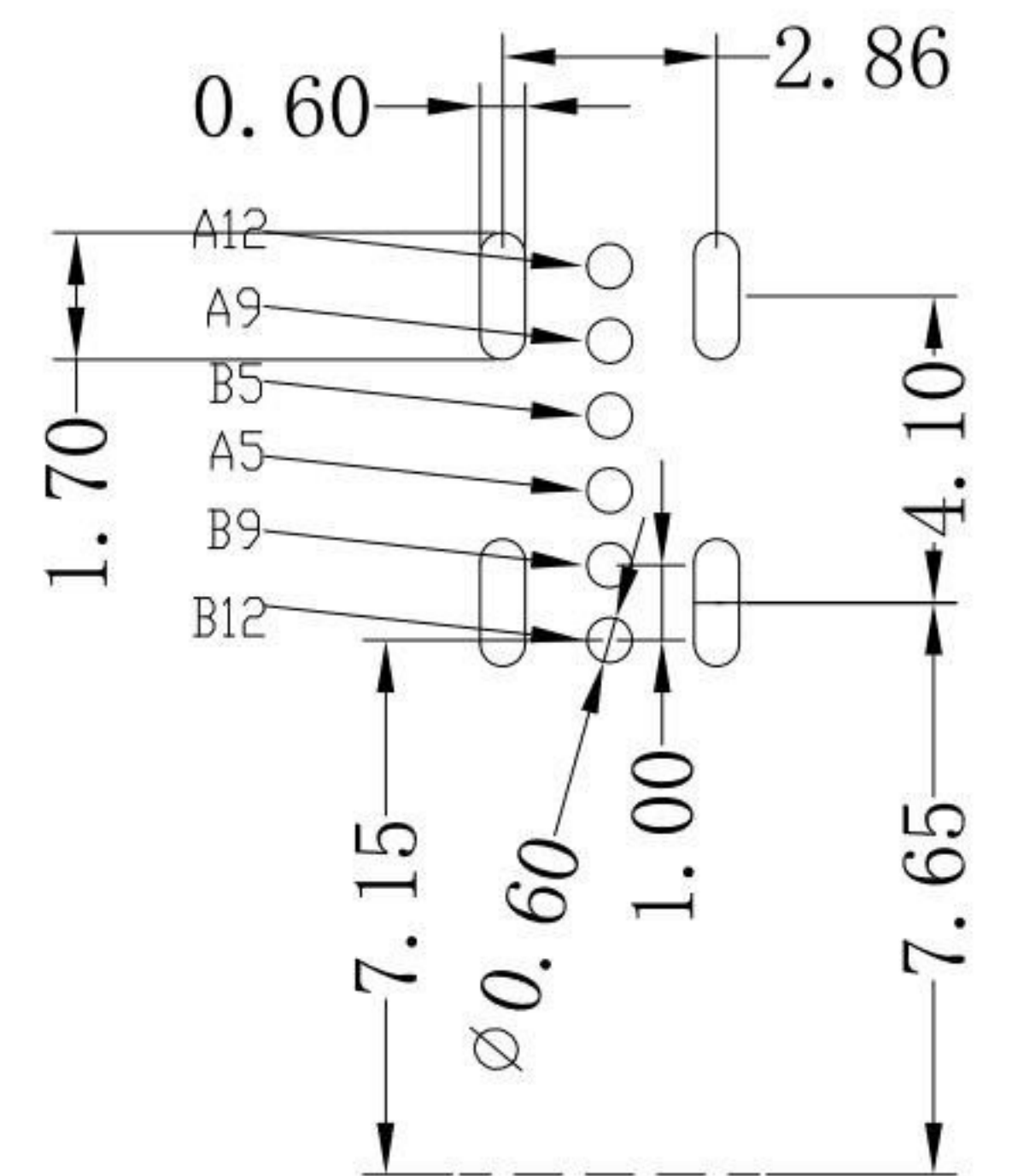
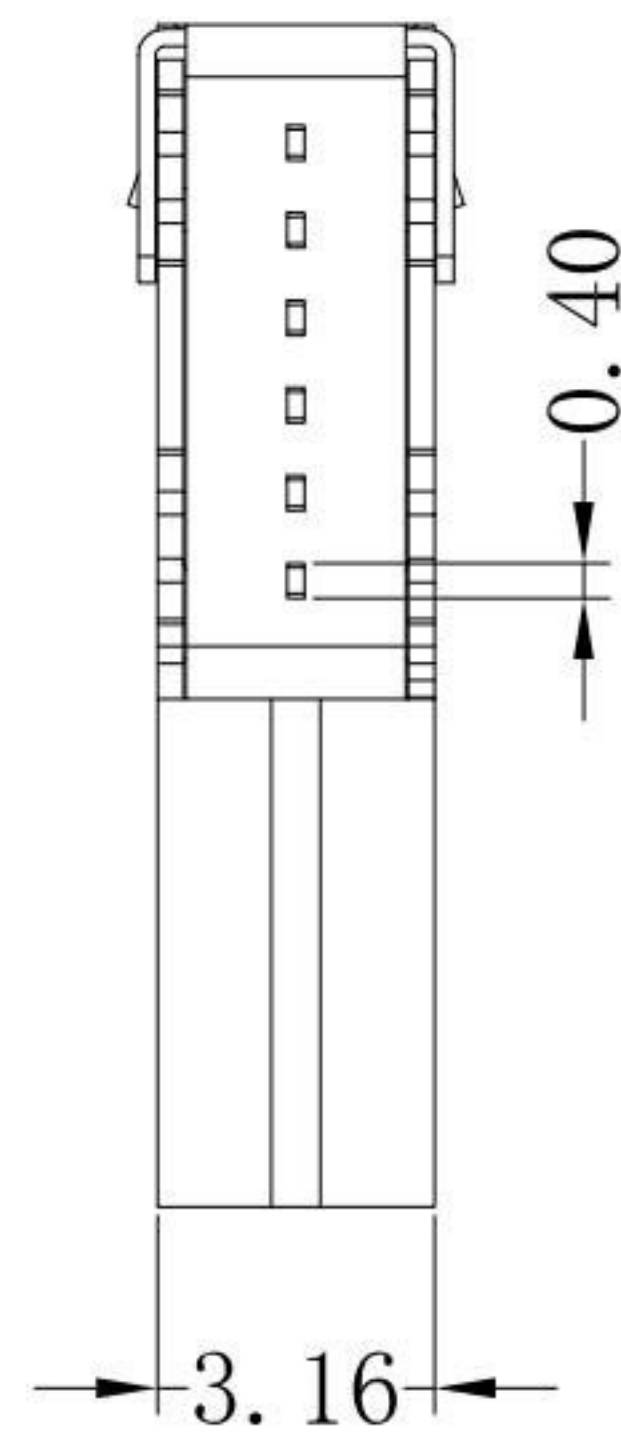
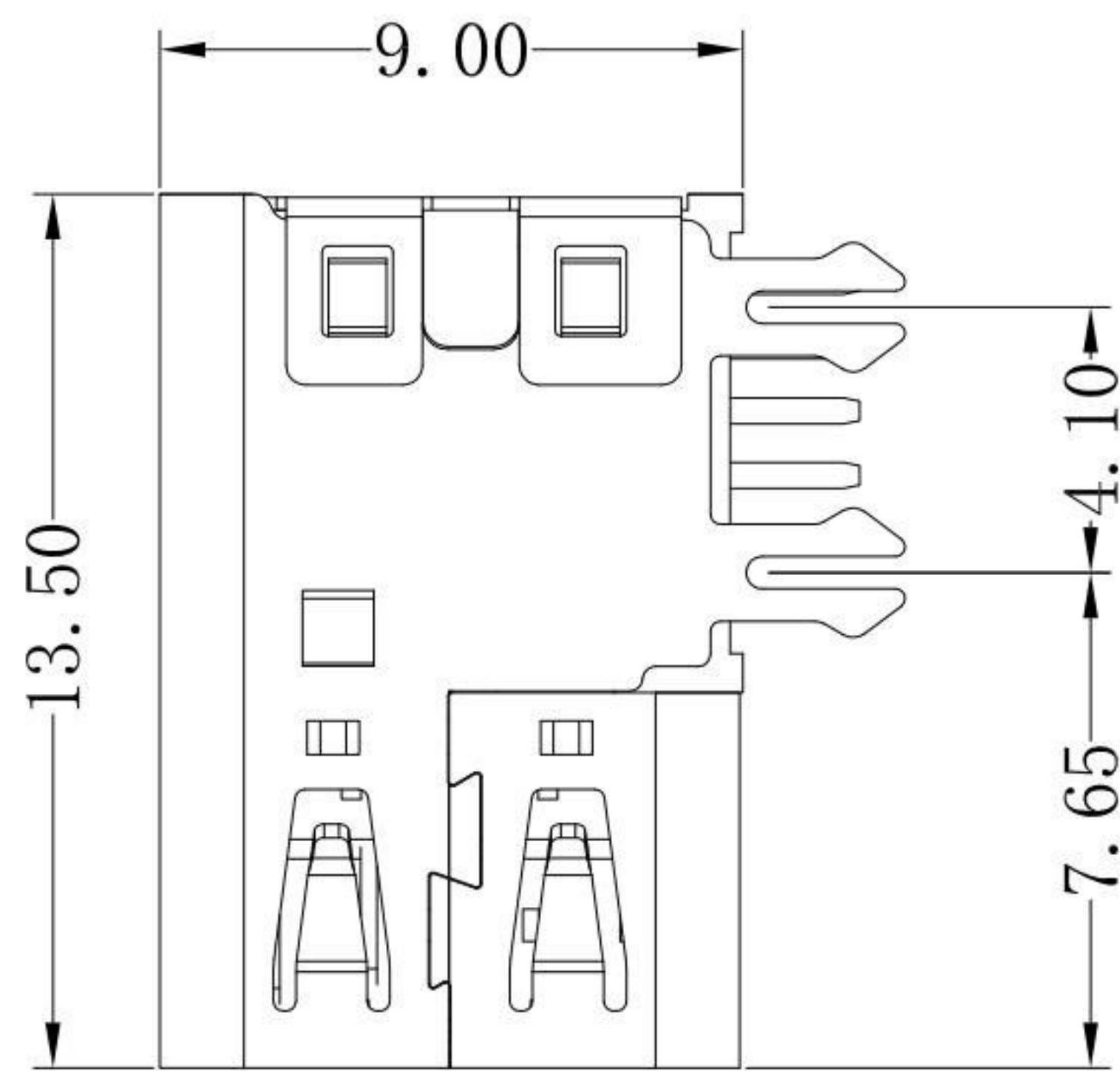
1. Connector Mate and Unmate Force
 - 1.1 Mate force: 5~20 N
 - 1.2 Unmate force: 8~20 N

Material:

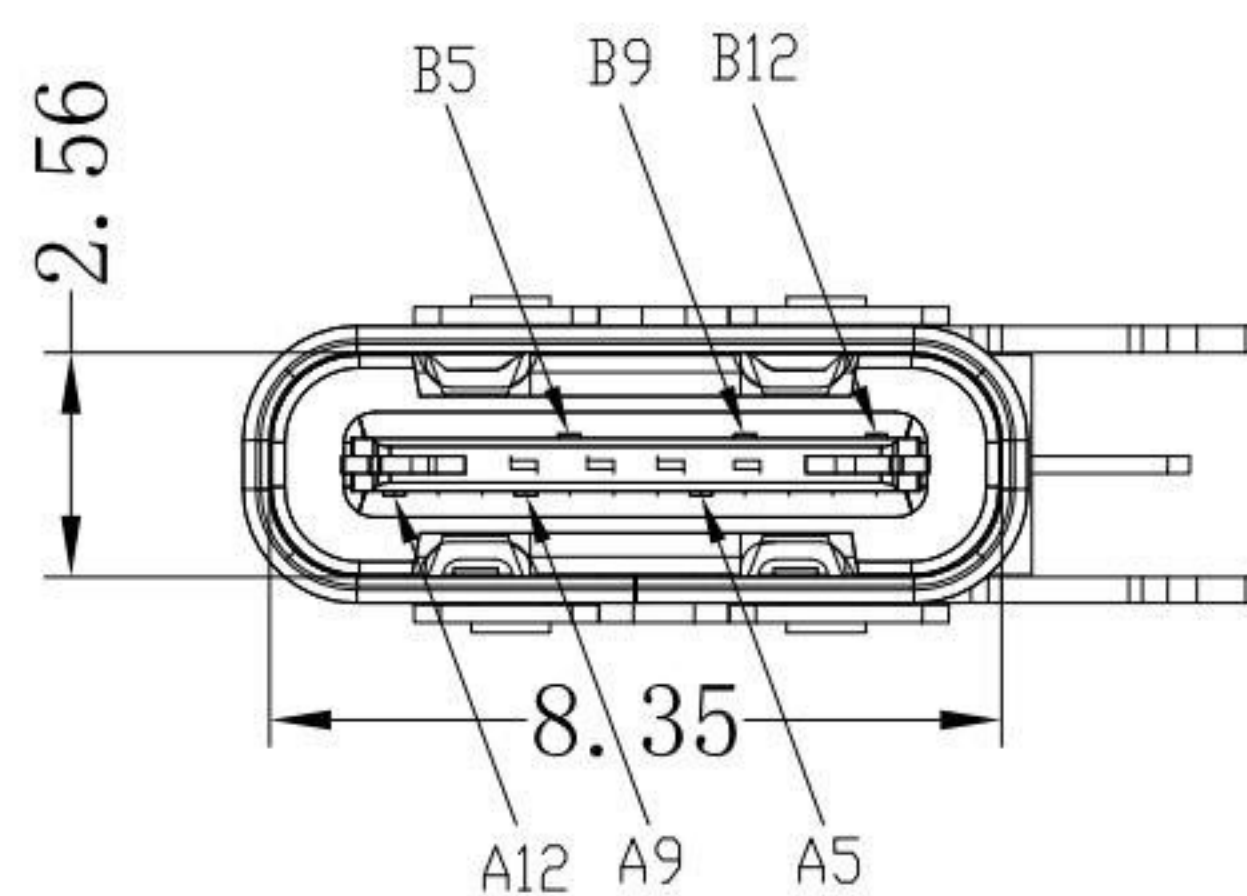
1. Housing: High-Temperature Plastic
2. Contact: COPPER ALLOY
3. Shell: SUS

Finish:

1. Contact: Plated Gold in Mating Area ;
Tin Plated on Solder Balls ;
Nickel under plated overall
2. Shell: Nickel under Plated surface layer



RECOMMENDED P.C.B. LAYOUT

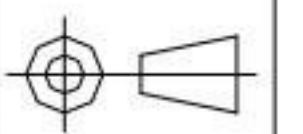


B12	GND
B9	VBUS
B5	CC2
A5	CC1
A9	VBUS
A12	GND
PIN	SIGNAL NAME

KSD 科斯达电子科技有限公司
 SWITCH CONNECTOR KSD ELECTRONIC TECHNOLOGY Co., LTD
 全球 互联零组件制造企业

TOLERANCE UNLESS OTHERWISE STATED: Up to 5 ±0.2, Above 5 ~ 15 ±0.3, Above 15 ~ 30 ±0.4, Above 30 ~ 50 ±0.5, Angle ±0.3°

3RD. ANGEL'S



UNITS

MM

DRAWN BY:	DATE
Jack Lu	09/25/19
CHECKED BY:	DATE
Jacky Chen	09/25/19
APPROVED BY:	DATE
Tony Kao	09/25/19

MAT'L		TITLE	CONNECTOR
FINISH		MODLE	USB 3.1 側插母座 6 PIN
SCALE	1 : 1	DWG NO.	SBC-060P-20x-S165
SHEET NO.	1 of 1	PART NO.	SBC-060P-20x-S165

SIZE	A4
VER	R

ITEM NO.	DESCRIPTION	DRAWN	DATE