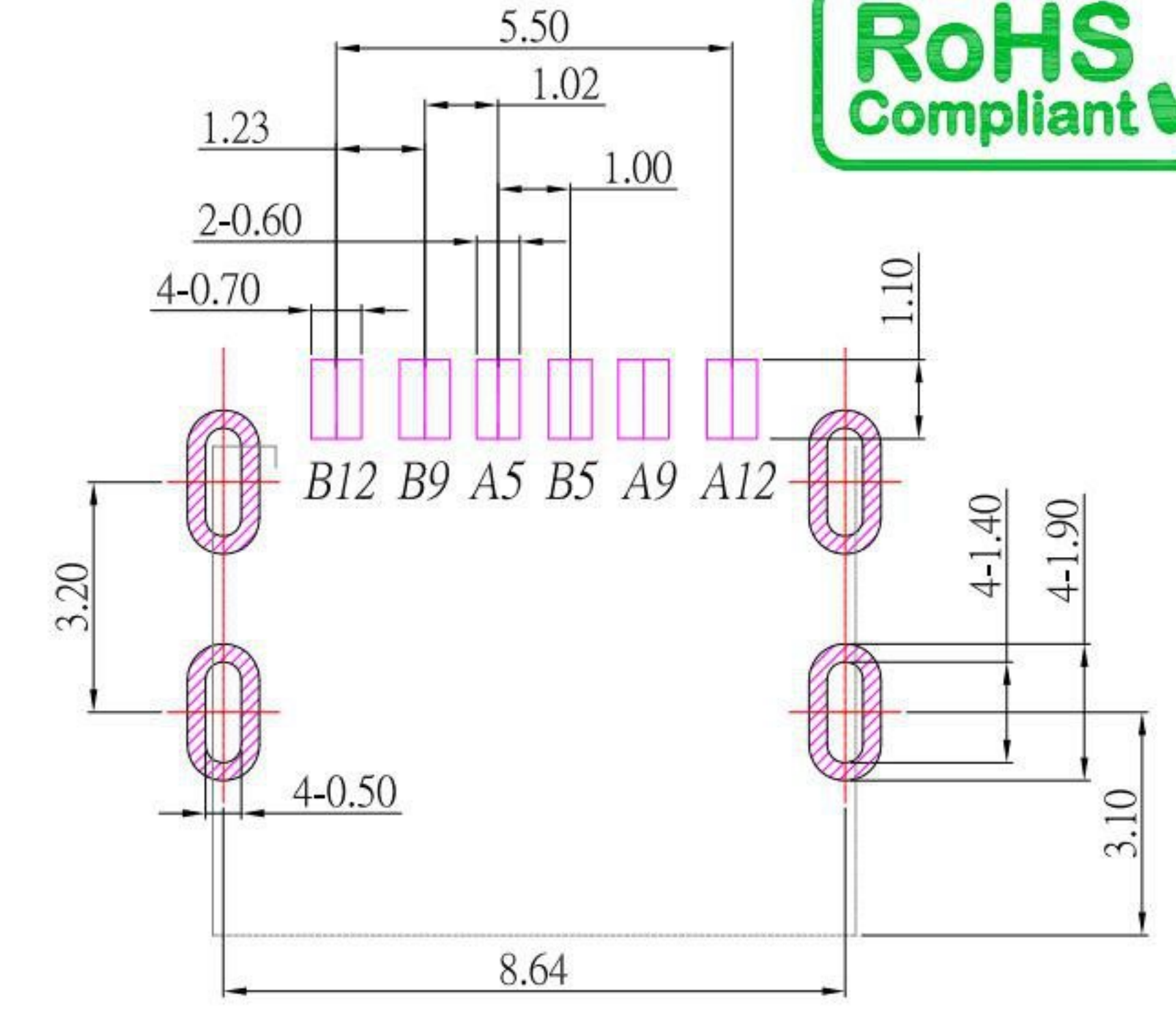
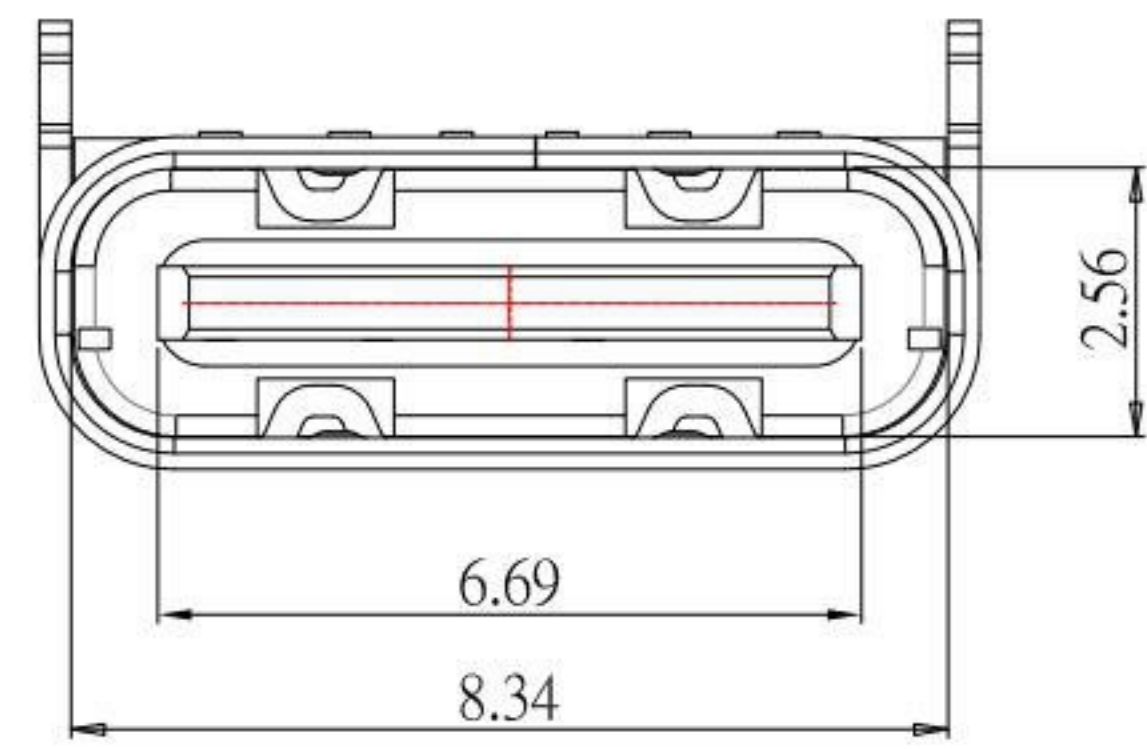




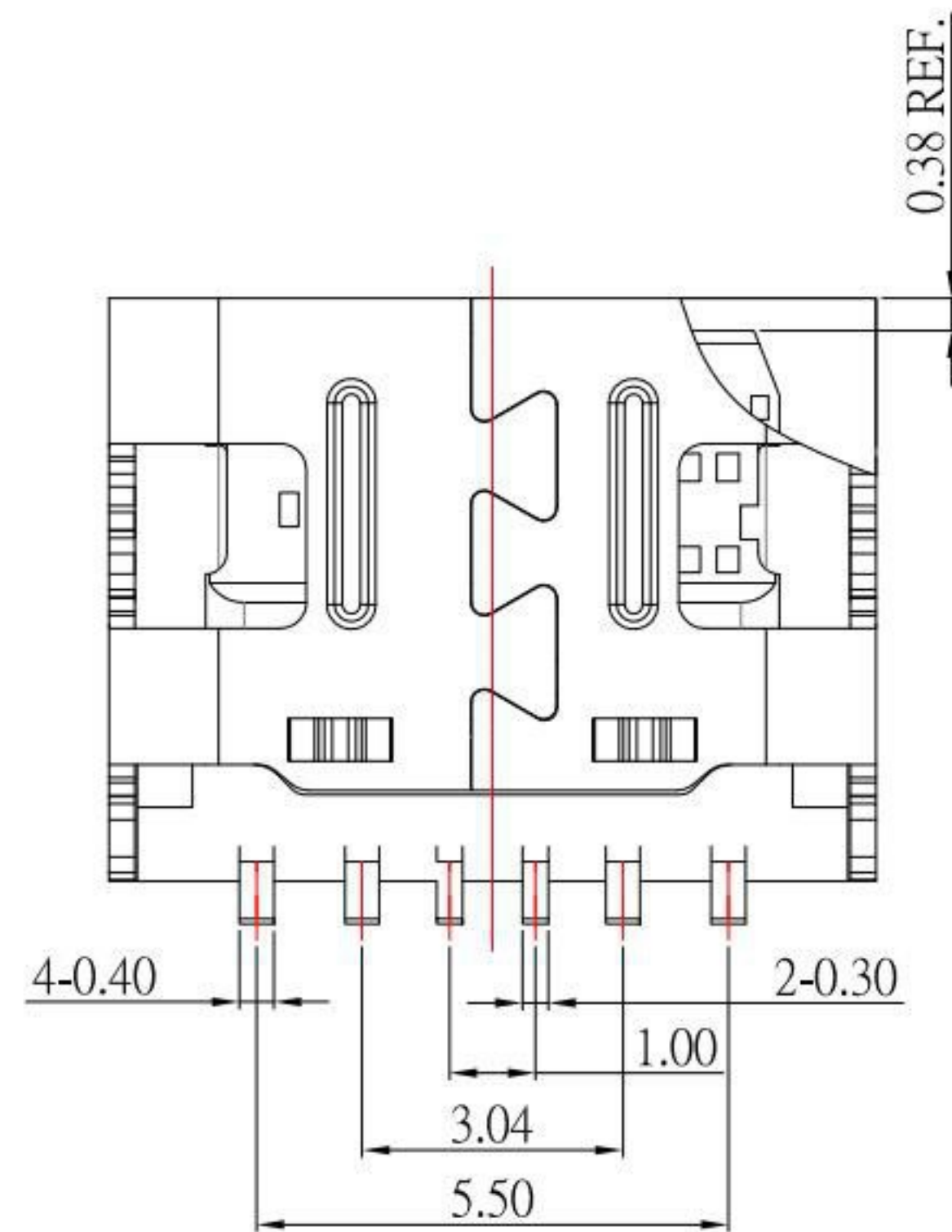
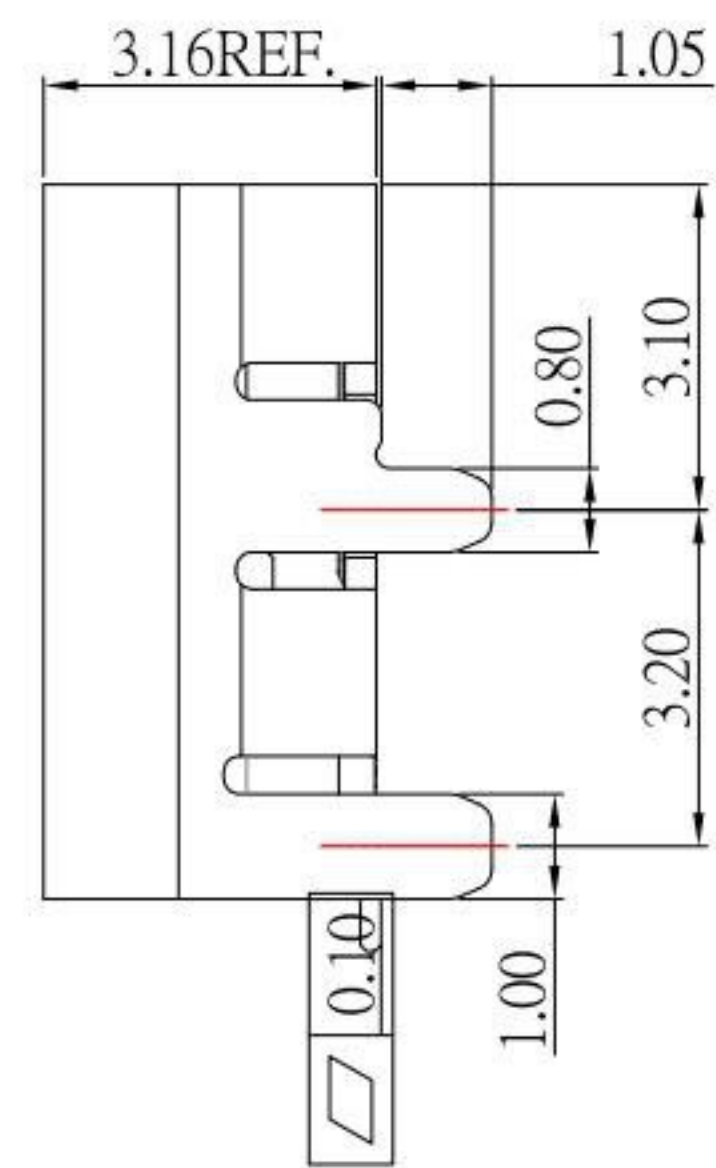
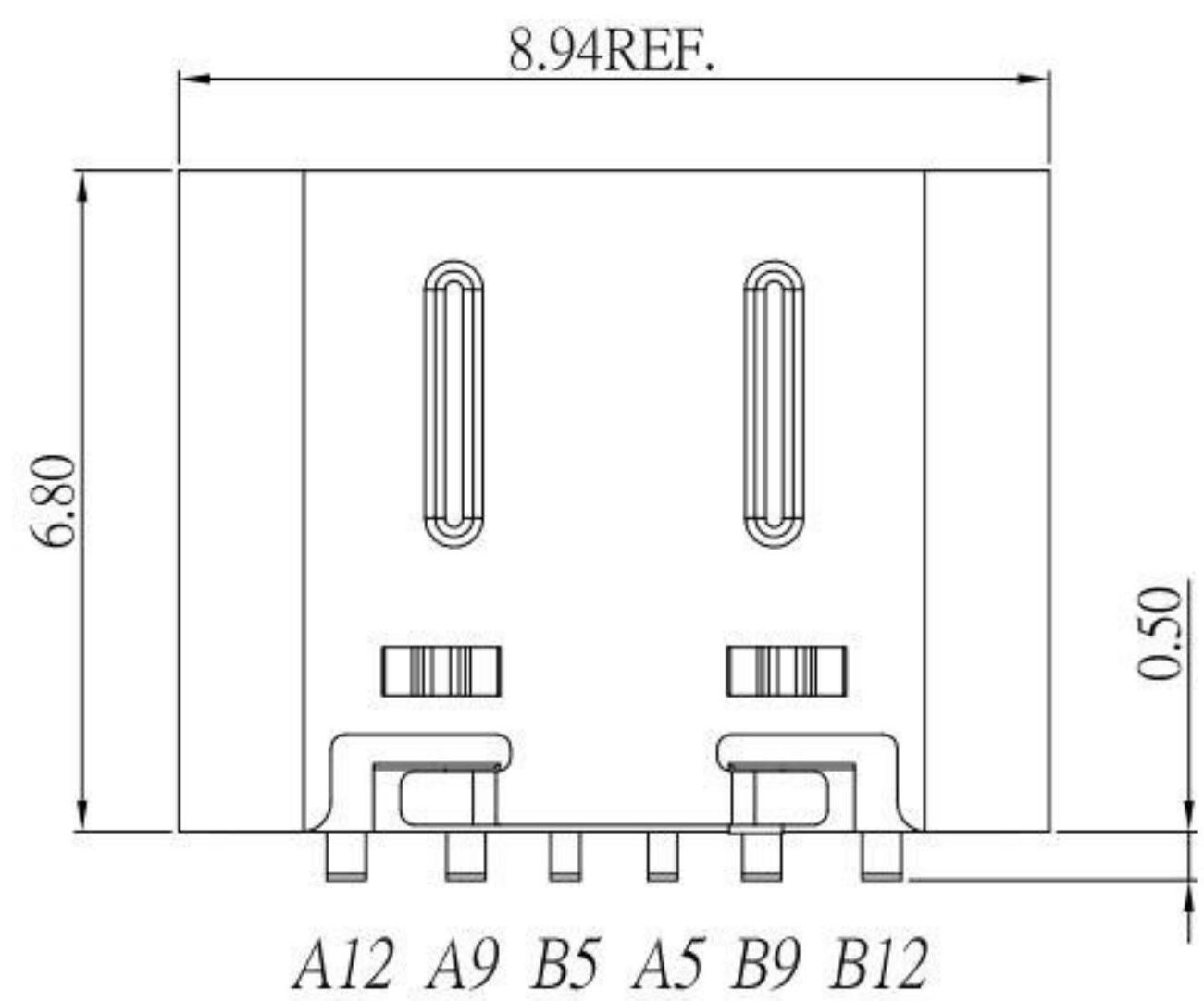
SBC-060S2-20x-S412

鍍層厚度：

Blank	: 1u"
2	: 15u"
3	: 30u"



RECOMMENDED P.C.B. LAYOUT



B12	GND
B9	VBUS
B5	CC2
A5	CC1
A9	VBUS
A12	GND
PIN	SIGNAL NAME

SPECIFICATIONS

Electrical:

1. Rating: 20 V, 3.0 A
2. Dielectric Withstand Voltage: 150V AC
3. Contact Resistance: 40 mΩ Max
4. Insulation Resistance: 100 MΩ Min

Mechanical:

1. Connector Mate and Unmate Force
 - 1.1 Mate force: 5~20 N
 - 1.2 Unmate force: 8~20 N

Material:

1. Housing: LCP
2. Contact: BRASS
3. Shell: SUS

Finish:

1. Contact: Plated Gold in Mating Area ;
Tin Plated on Solder Balls ;
Nickel under plated overall
2. Shell: Nickel under Plated surface layer

6	更新圖面	Jack	120522
5	更新Rating	Jack	053122
4	更新材質	Jack	111921
3	新增pcb layout尺寸	Jack	110620
2	新增尺寸	Jack	073020
1	更新圖面	Jack	111419
ITEM NO.	DESCRIPTION	DRAWN	DATE

KSD 科斯达电子科技有限公司
 SWITCH CONNECTOR 全球 互聯零組件製造企業
KSD ELECTRONIC TECHNOLOGY Co., LTD

TOLERANCE UNLESS OTHERWISE STATED:

Up to 5	±0.2
Above 5 ~ 15	±0.3
Above 15 ~ 30	±0.4
Above 30 ~ 50	±0.5
Angle	±0.3°

3RD. ANGEL'S

UNITS MM

DRAWN BY:	DATE	MAT'L	TITLE	CONNECTOR
Jack Lu	12/05/22			
CHECKED BY:	DATE	FINISH	MODLE	USB C TYPE 2.0 Female SMT 6PIN
Jacky Chen	12/05/22			
APPROVED BY:	DATE	SCALE	DWG NO.	SBC-060S2-20x-S412
Tony Kao	12/05/22	1 : 1		
SHEET NO.	1 of 1	PART NO.	SBC-060S2-20x-S412	SIZE A4
				VER R6