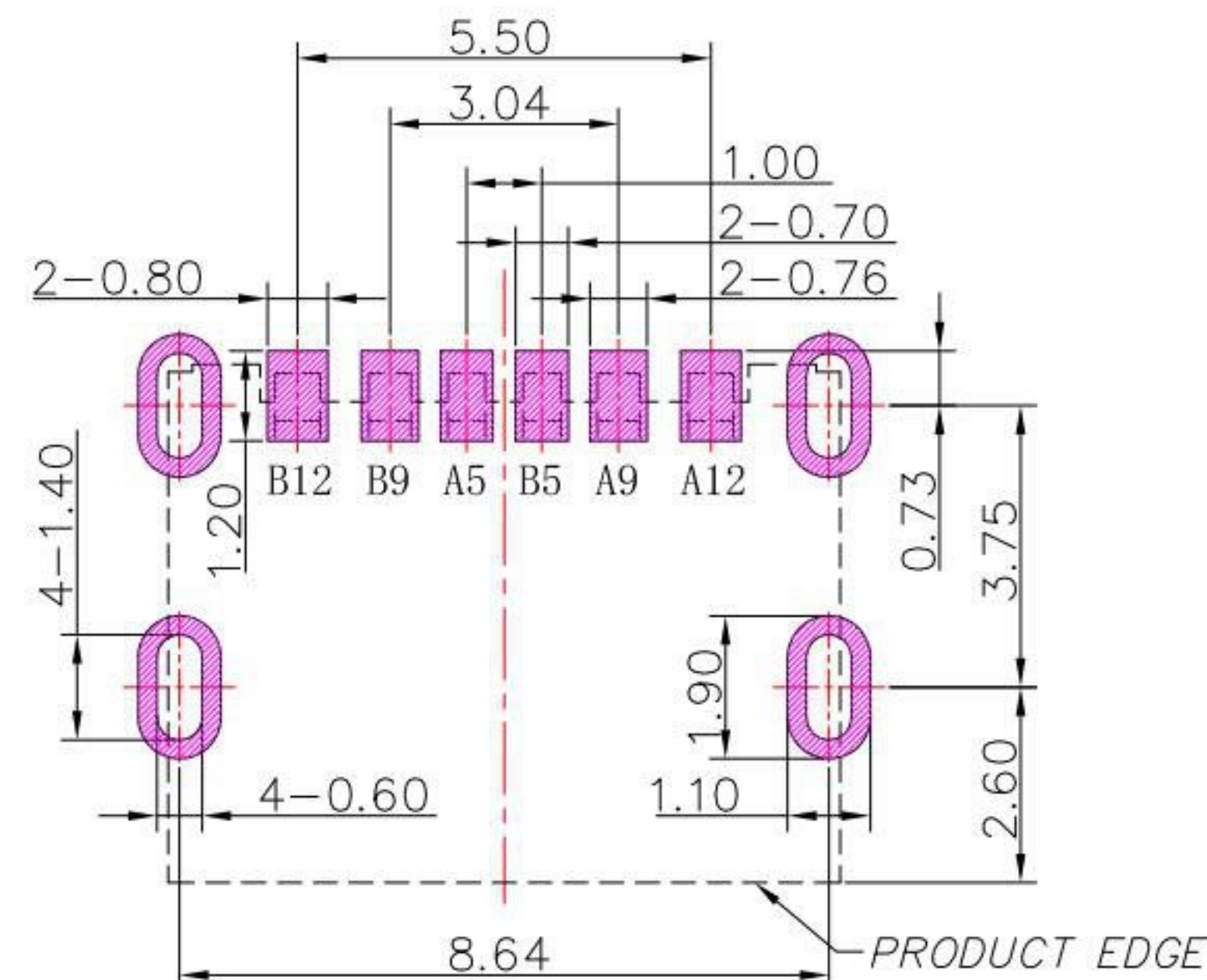
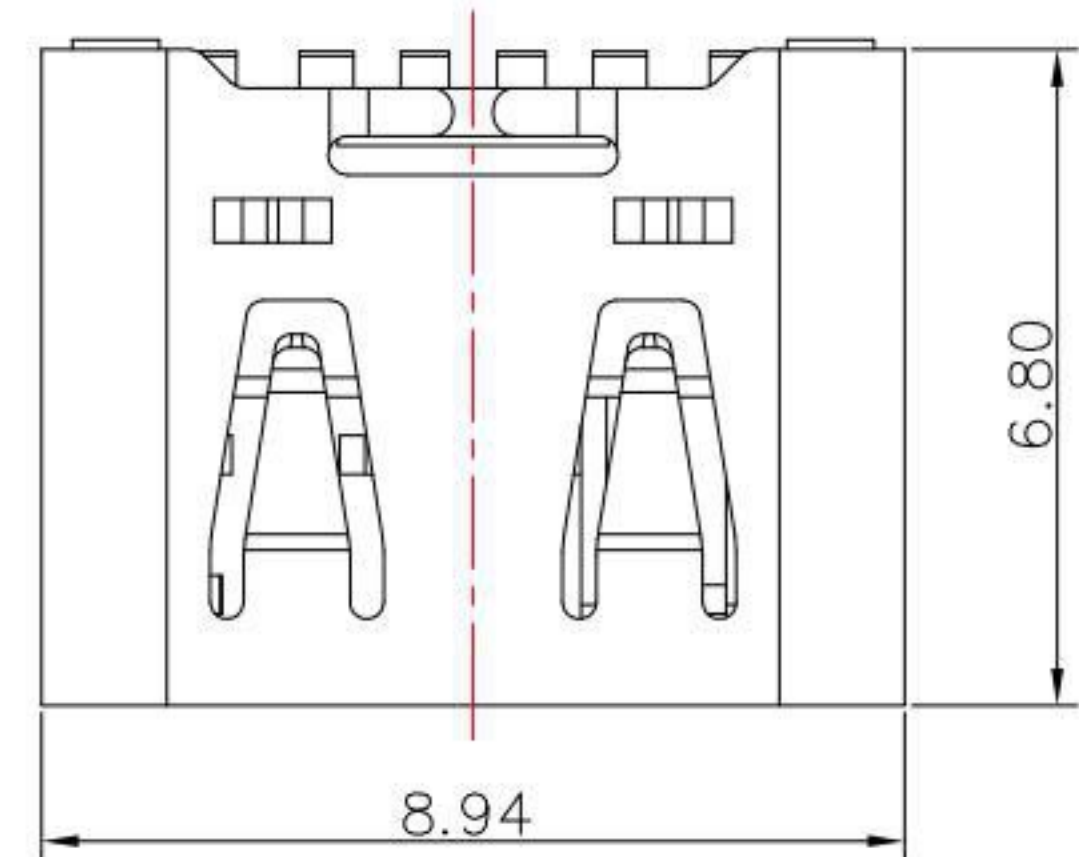




# SBC-060SA-20x-S175

鍍層厚度:

Blank	: 1u"
2	: 15u"
3	: 30u"



RECOMMENDED P.C.B. LAYOUT

## SPECIFICATIONS

### Electrical:

1. Rating: 20 V, 3.0 A
2. Dielectric Withstand Voltage: 100V AC
3. Contact Resistance: 40 mΩ Max
4. Insulation Resistance: 100 MΩ Min

### Mechanical:

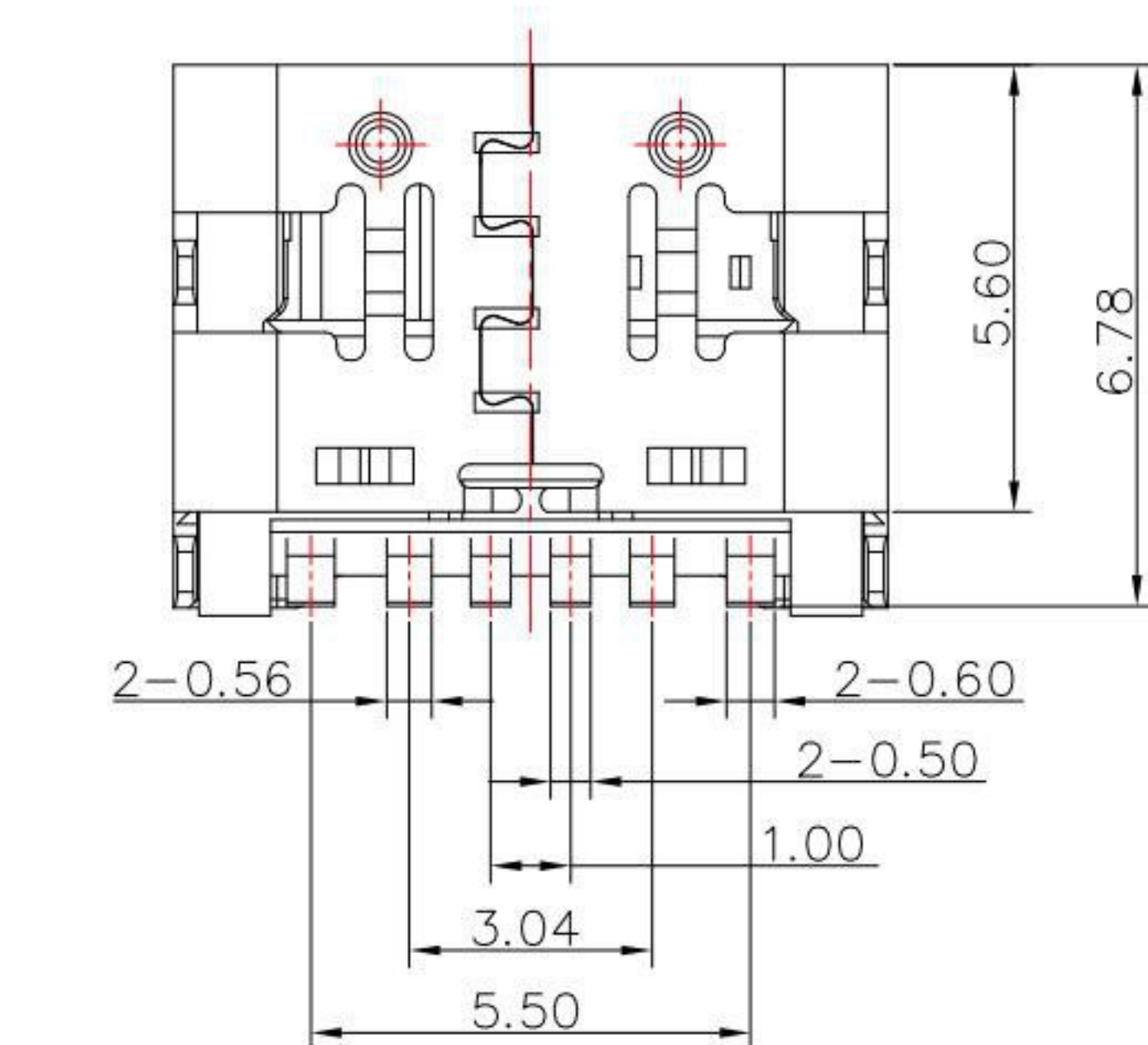
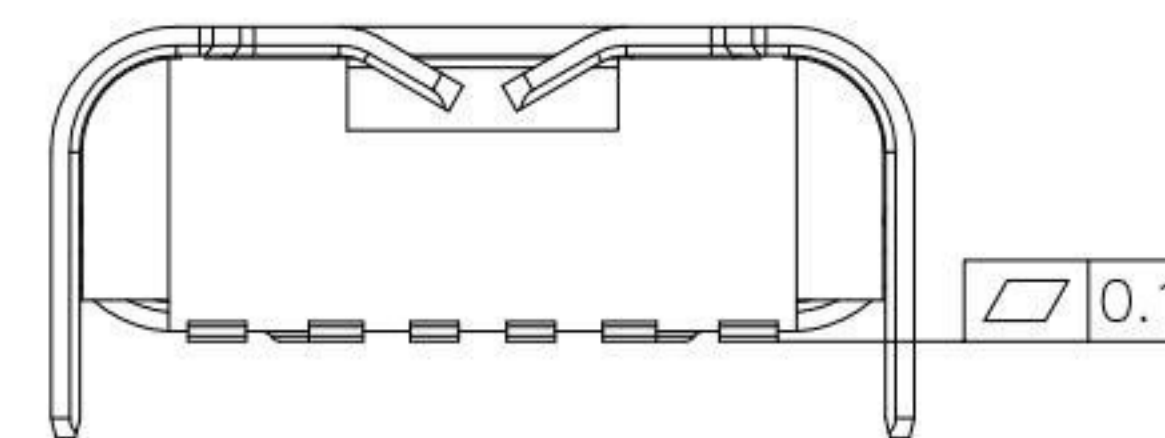
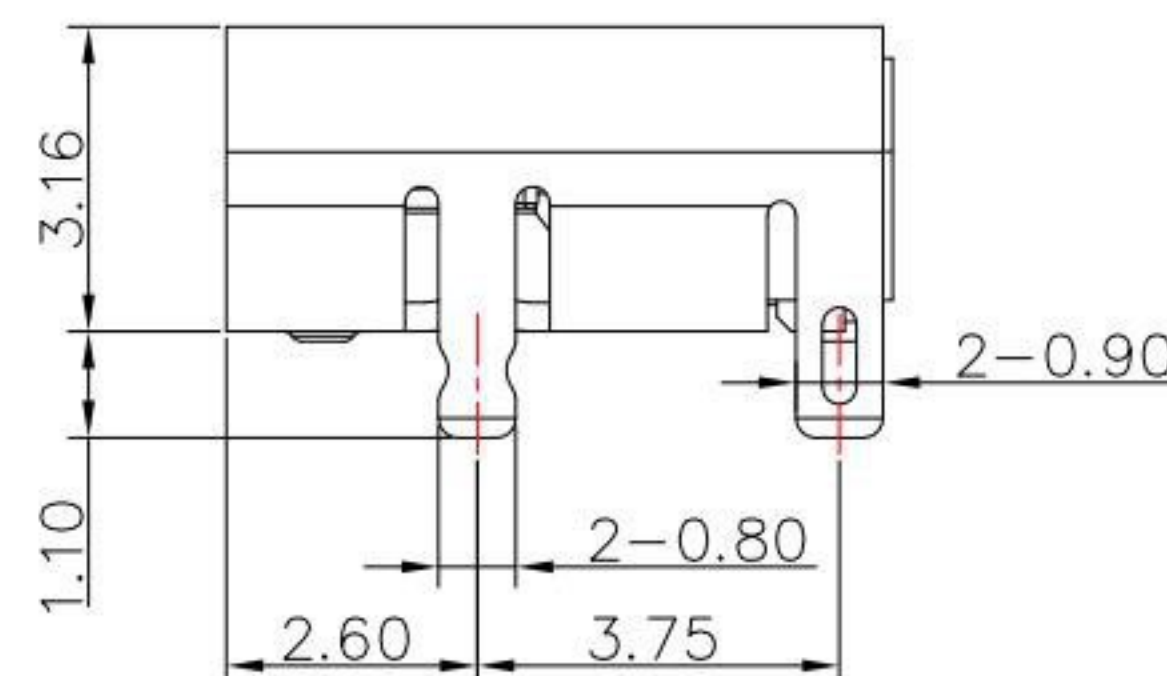
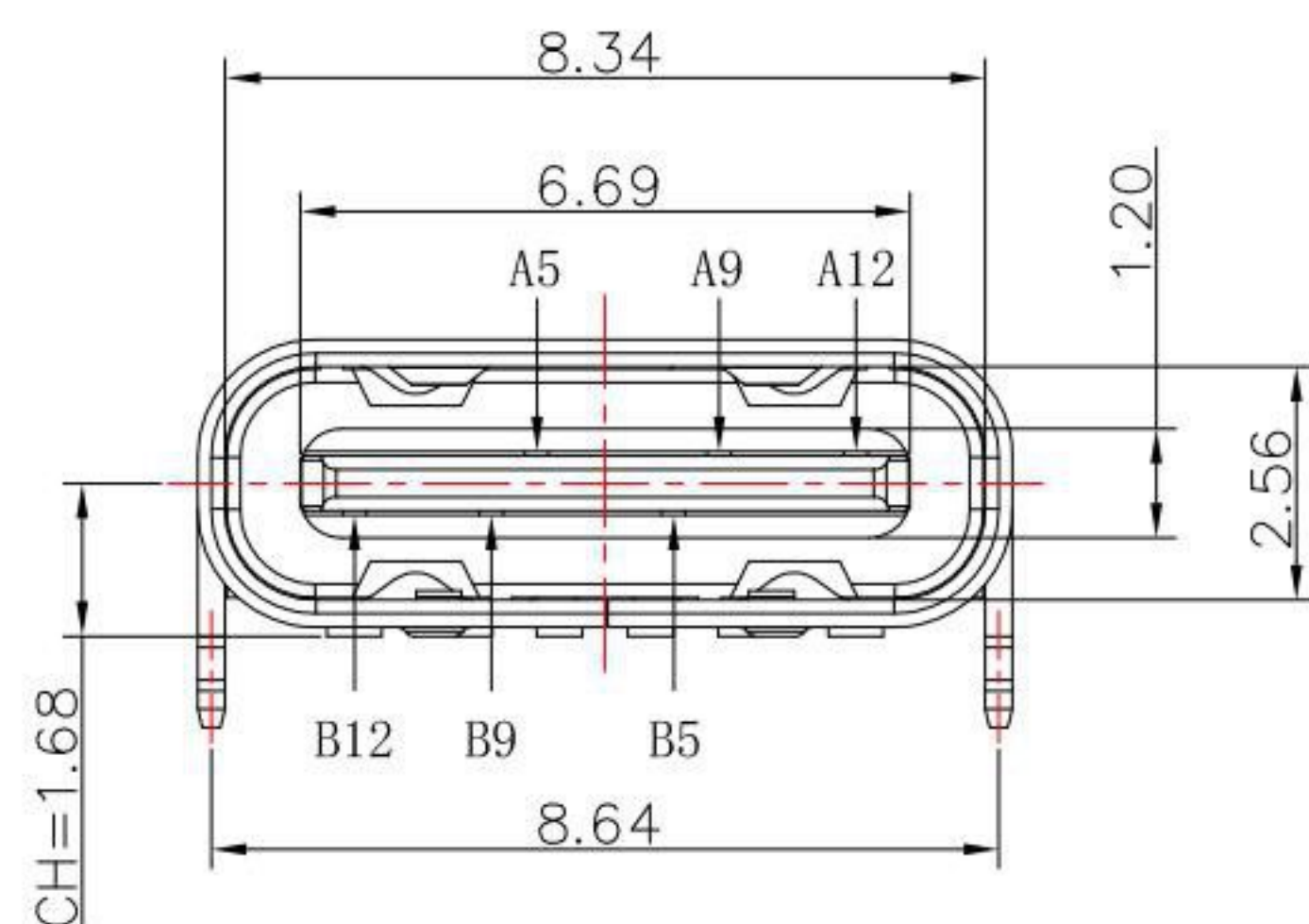
1. Connector Mate and Unmate Force
  - 1.1 Mate force: 5~20 N
  - 1.2 Unmate force: 8~20 N

### Material:

1. Housing: LCP
2. Contact: Copper Alloy
3. Shell: SUS

### Finish:

1. Contact: Plated Gold in Mating Area ;  
Tin Plated on Solder Balls ;  
Nickel under plated overall
2. Shell: Nickel under Plated surface layer



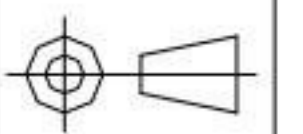
USB TYPE C PIN ASSIGNMENTS

PIN NUMBER	SIGNAL NAME	PIN NUMBER	SIGNAL NAME
A5	CC1	B12	GND
A9	VBUS	B9	VBUS
A12	GND	B5	CC2

**KSD** 科斯达电子科技有限公司  
SWITCH CONNECTOR KSD ELECTRONIC TECHNOLOGY Co., LTD  
全球 互联网 零组件 制造企业

TOLERANCE UNLESS OTHERWISE STATED:  
Up to 5 ±0.2  
Above 5 ~ 15 ±0.3  
Above 15 ~ 30 ±0.4  
Above 30 ~ 50 ±0.5  
Angle ±0.3°

3RD. ANGEL'S



UNITS MM

DRAWN BY: Jack Lu  
DATE: 08/20/20  
CHECKED BY: Jacky Chen  
DATE: 08/20/20  
APPROVED BY: Tony Kao  
DATE: 08/20/20

MAT'L		TITLE	CONNECTOR
FINISH		MODLE	USB C TYPE 2.0 Female SMT 6PIN 外殼腳長1.10 帶彈片
SCALE	1:1	DWG NO.	SBC-060SA-20x-S175
SHEET NO.	1 of 1	PART NO.	SBC-060SA-20x-S175

SIZE A4  
VER R

ITEM NO. DESCRIPTION DRAWN DATE