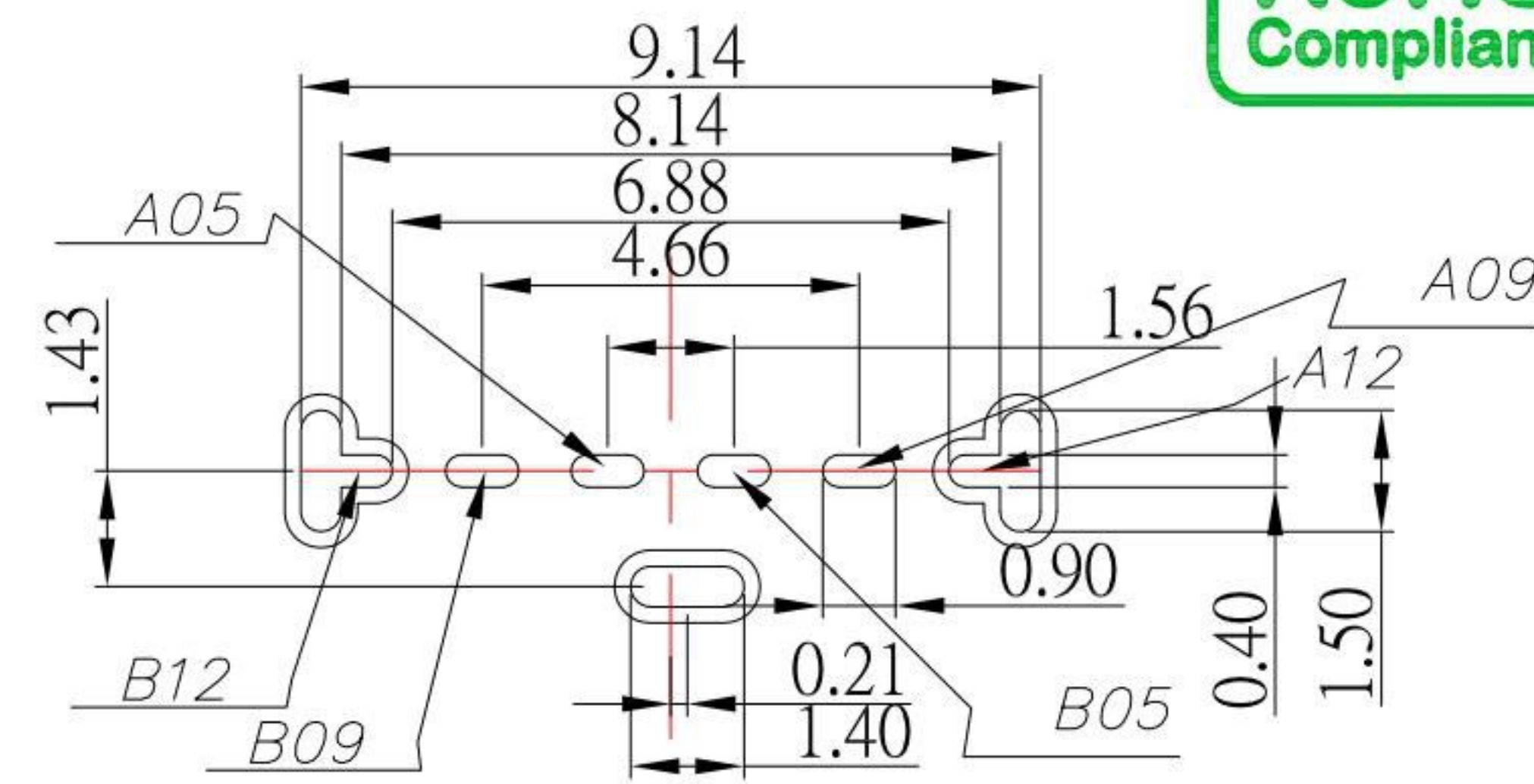


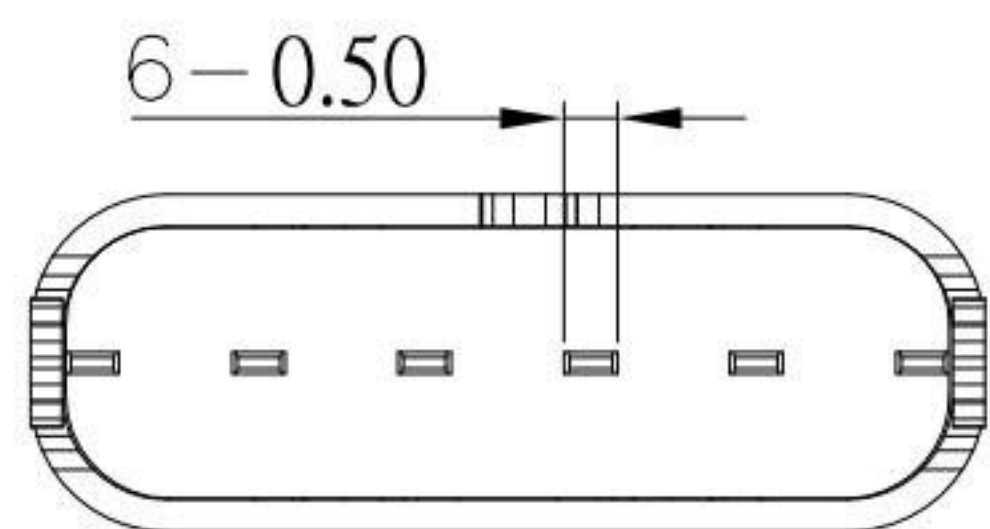
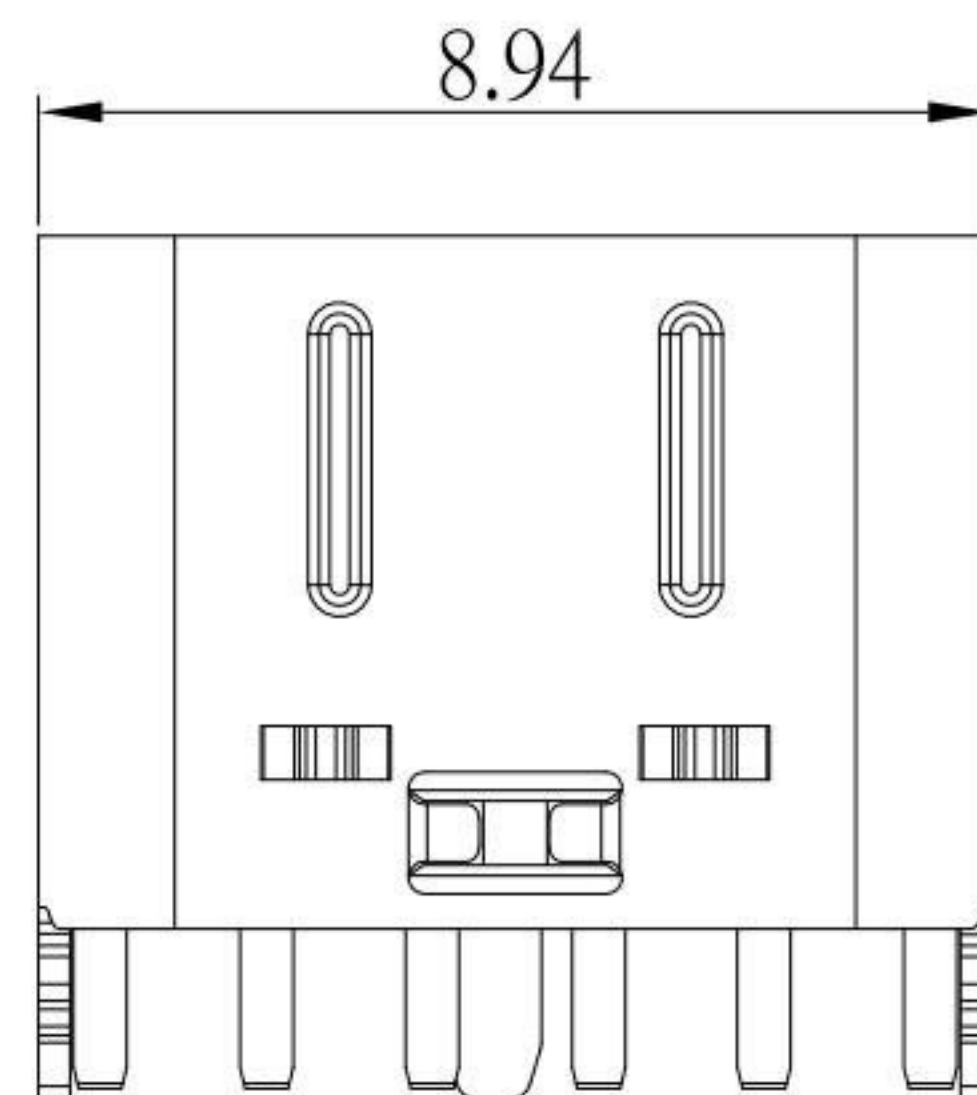
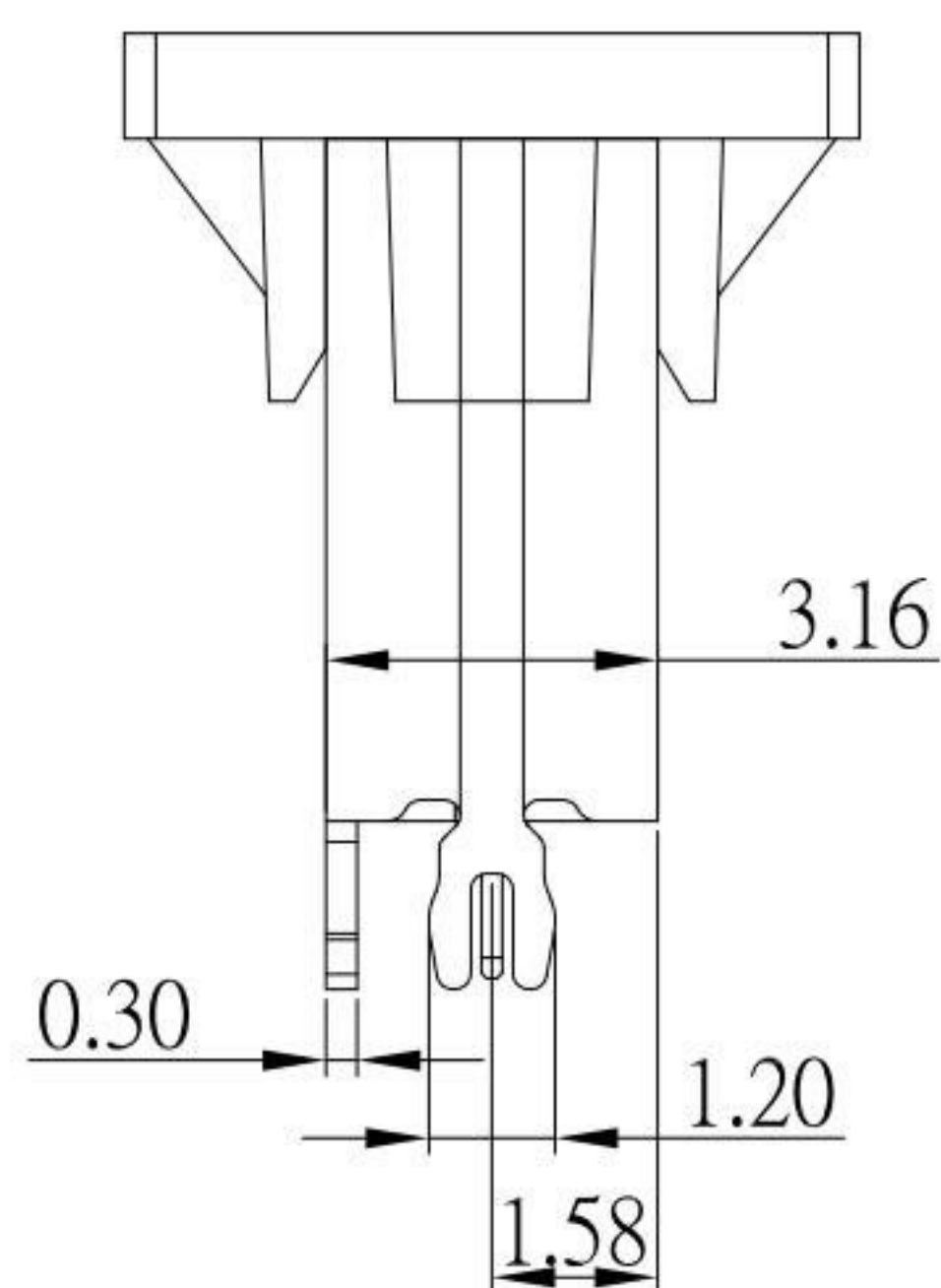
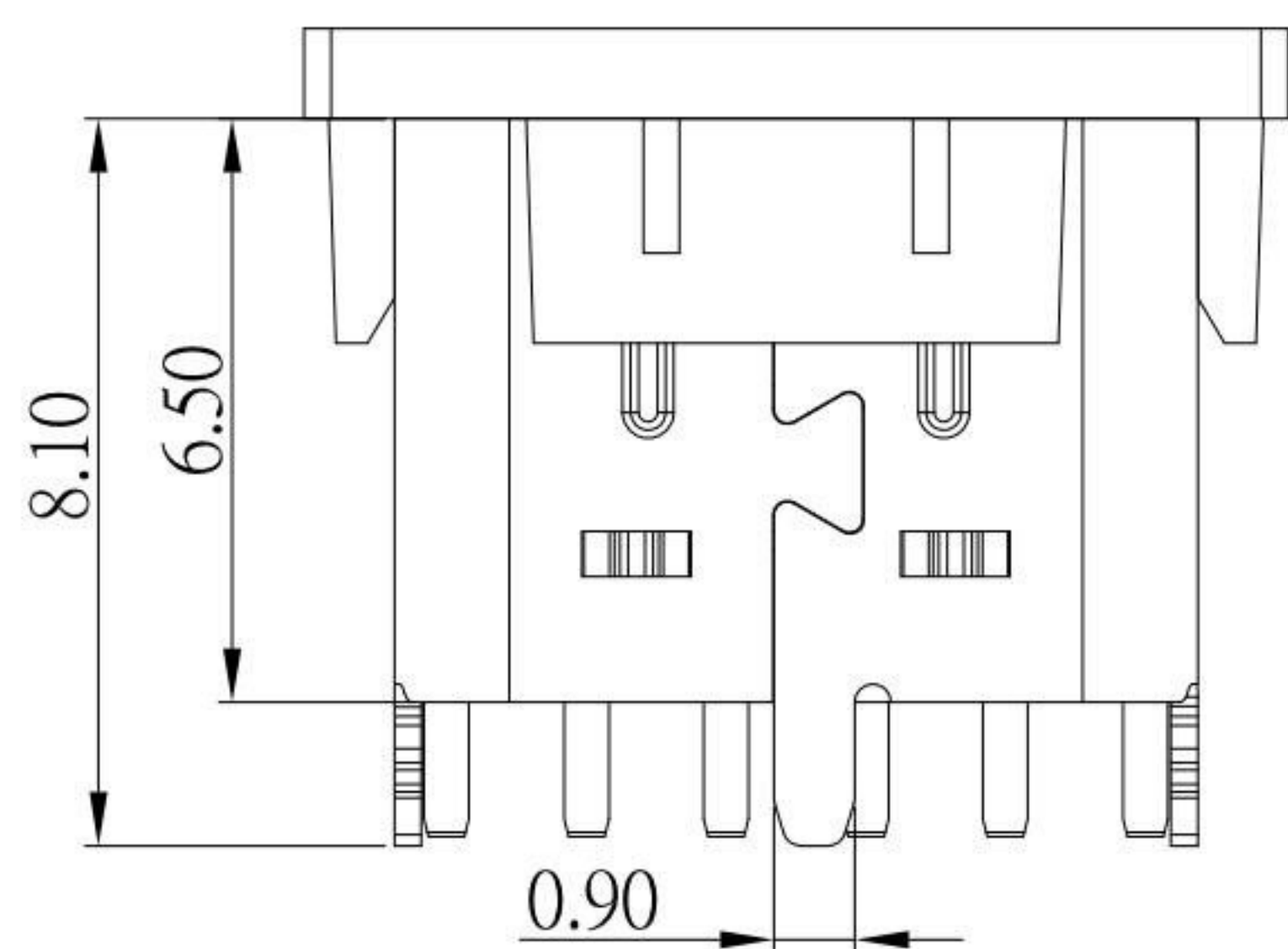
SBC-060V-20x-S412

鍍層厚度:

Blank	: 1u"
2	: 15u"
3	: 30u"



RECOMMENDED P.C.B. LAYOUT



SPECIFICATIONS

Electrical:

- Rating: 20V , 3.0A For VBUS
1.25A For GND
0.25A For OTHER
- Dielectric Withstand Voltage: 100V AC
- Contact Resistance: 40 mΩ Max
- Insulation Resistance: 100 MΩ Min

Mechanical:

- Connector Mate and Unmate Force
 - Mate force: 5~20 N
 - Unmate force: 8~20 N

Material:

- Housing: LCP
- Contact: Copper Alloy
- Shell: SUS

Finish:

- Contact: Plated Gold in Mating Area ;
Gold Plated on Solder Balls ;
Nickel under plated overall
- Shell: Nickel under Plated surface layer

B12	GND
B9	VBUS
B5	CC2
A5	CC1
A9	VBUS
A12	GND
PIN	SIGNAL NAME

ITEM NO.	DESCRIPTION	DRAWN	DATE
4	更新PCB LAYOUT	Jack	010521
3	更新PCB LAYOUT及新增尺寸	Jack	123120
2	新增尺寸及更新PCB LAYOUT尺寸	Jack	121120
1	更新圖面	Jack	120820

KSD 科斯达电子科技有限公司
SWITCH CONNECTOR KSD ELECTRONIC TECHNOLOGY Co., LTD
全球 互聯零組件製造企業

TOLERANCE UNLESS OTHERWISE STATED:

Up to 5	±0.2
Above 5 ~ 15	±0.3
Above 15 ~ 30	±0.4
Above 30 ~ 50	±0.5
Angle	±0.3°

3RD. ANGEL'S

UNITS MM

DRAWN BY:	DATE	MAT'L	TITLE	CONNECTOR
Jack Lu	01/05/21		MODLE	TYPE C 6PIN 直立式DIP L6.5mm
CHECKED BY:	DATE	FINISH	DWG NO.	SBC-060V-20x-S412
Jacky Chen	01/05/21		PART NO.	SBC-060V-20x-S412
APPROVED BY:	DATE	SCALE	1 : 1	
Tony Kao	01/05/21	SHEET NO.	1 of 1	