



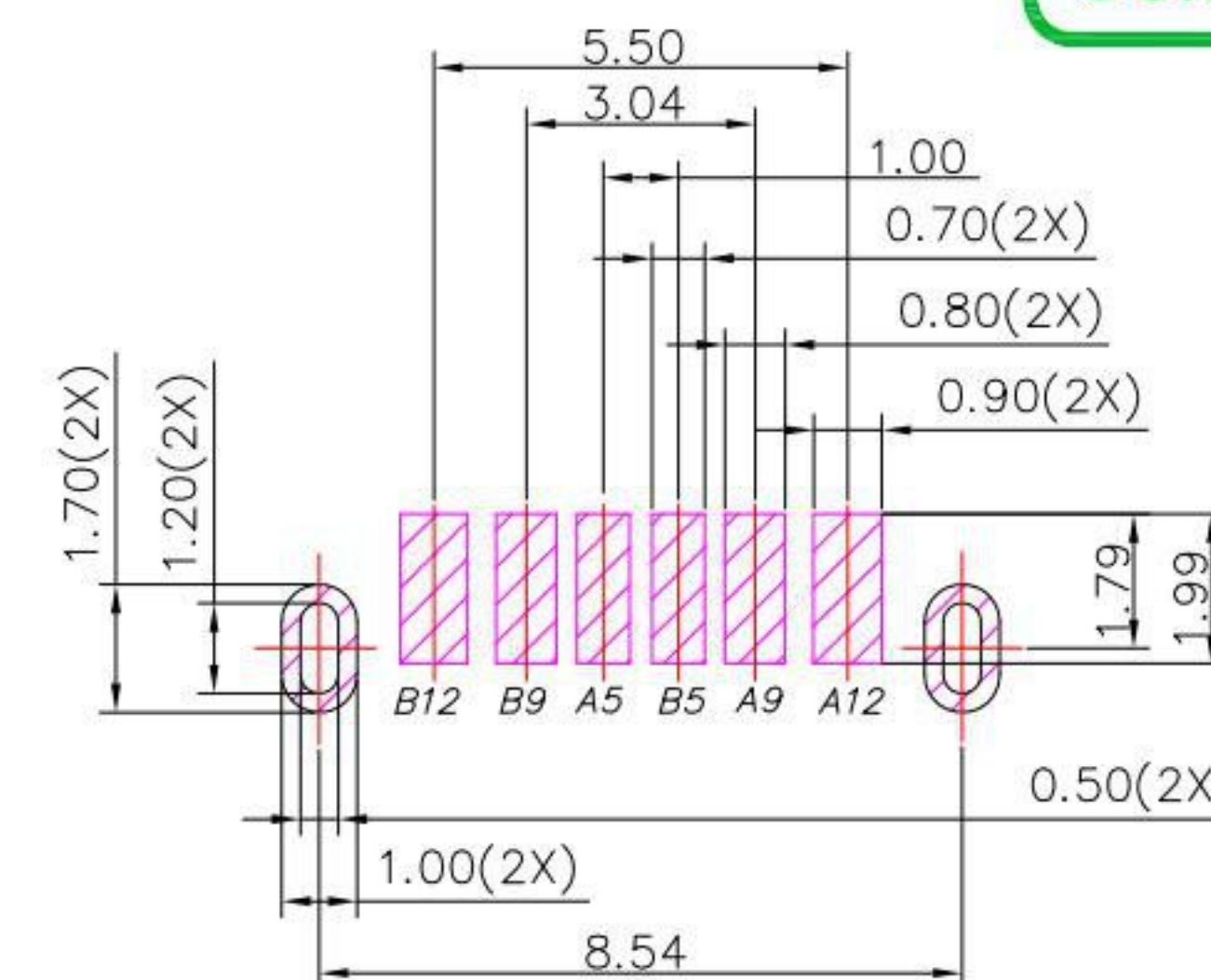
SBC-060VSA-20x-S331

鍍層厚度:

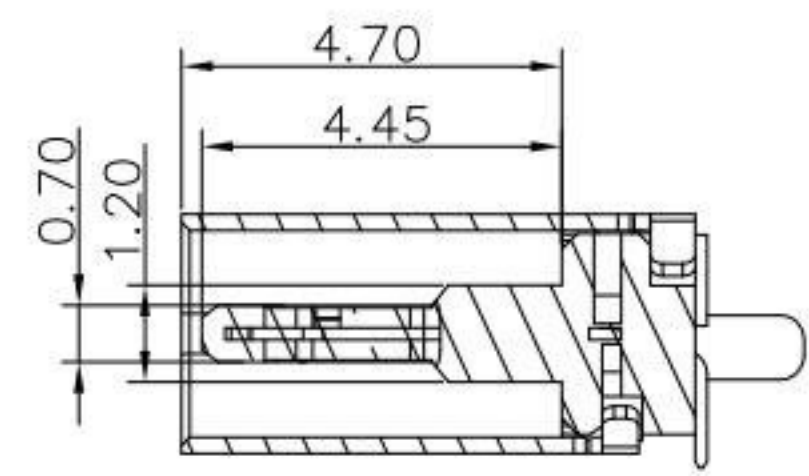
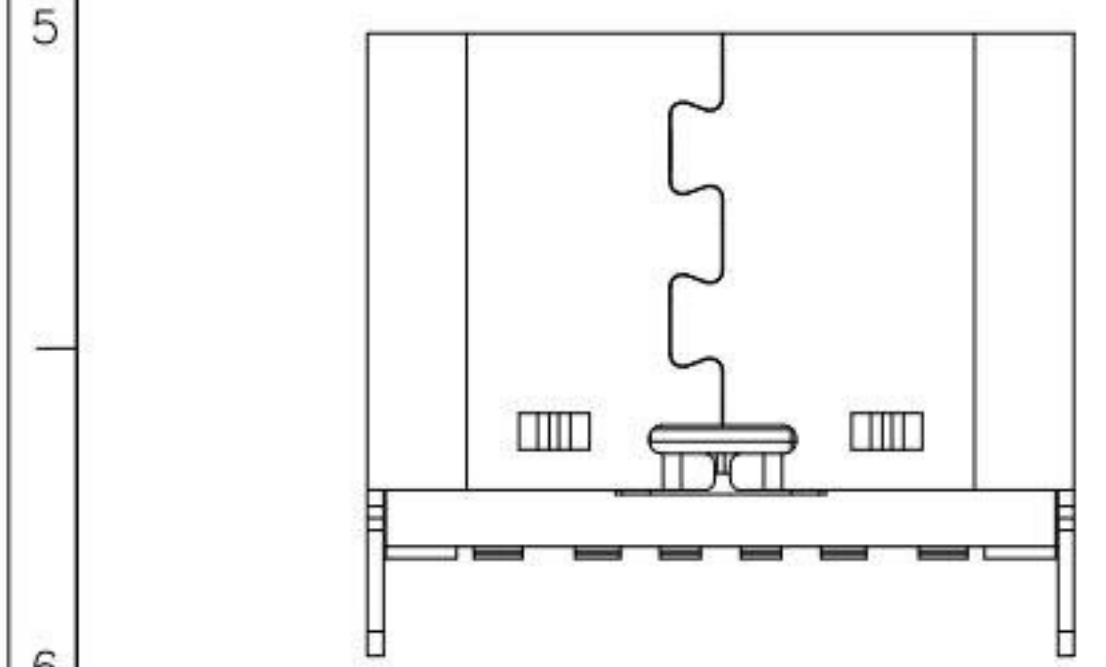
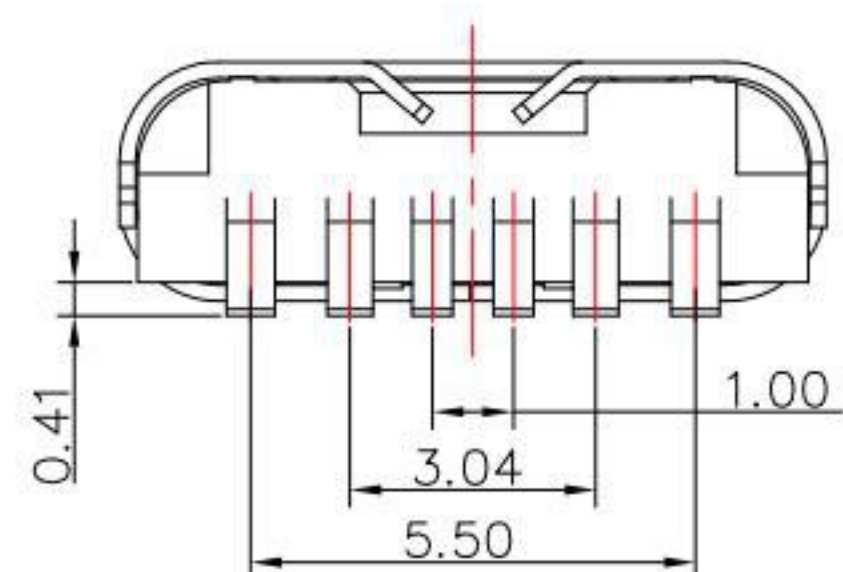
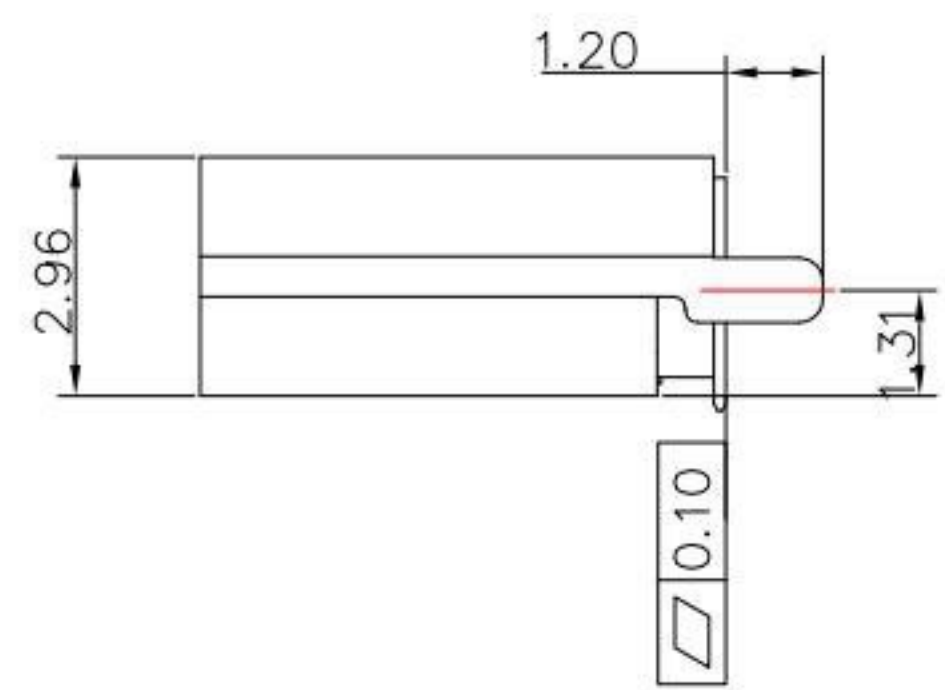
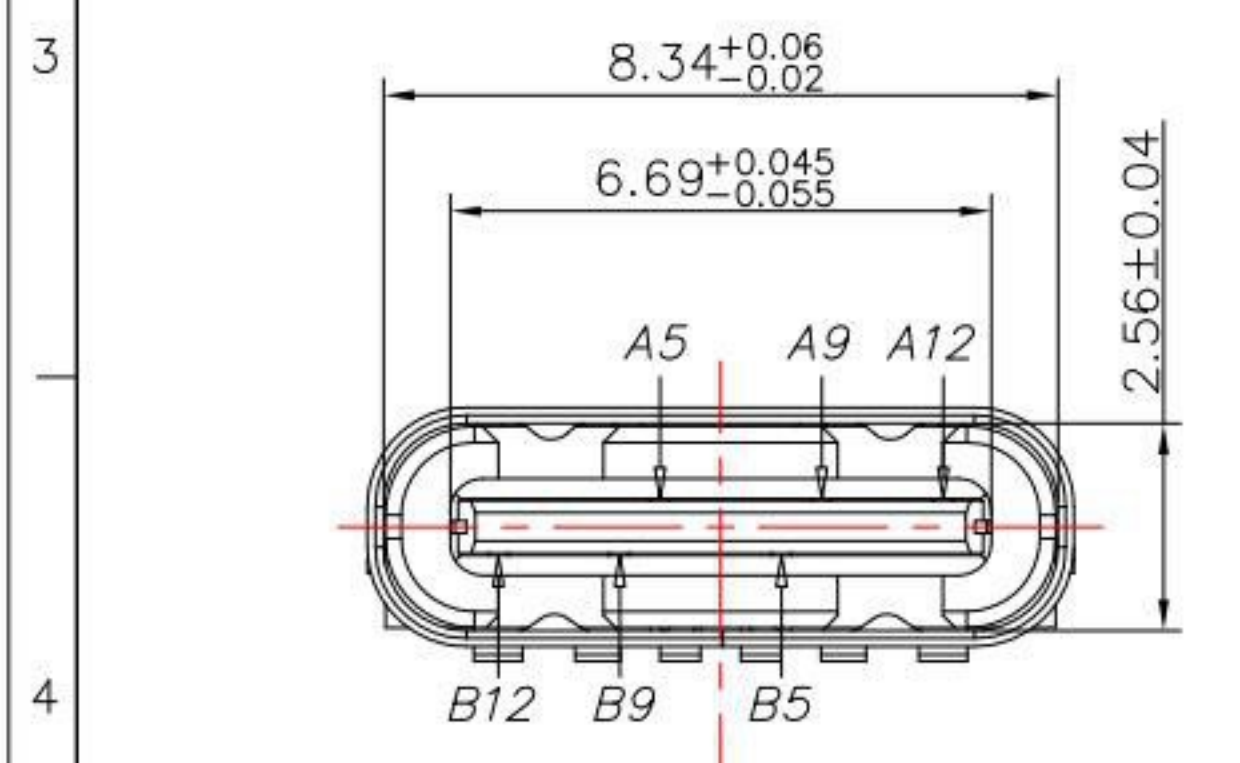
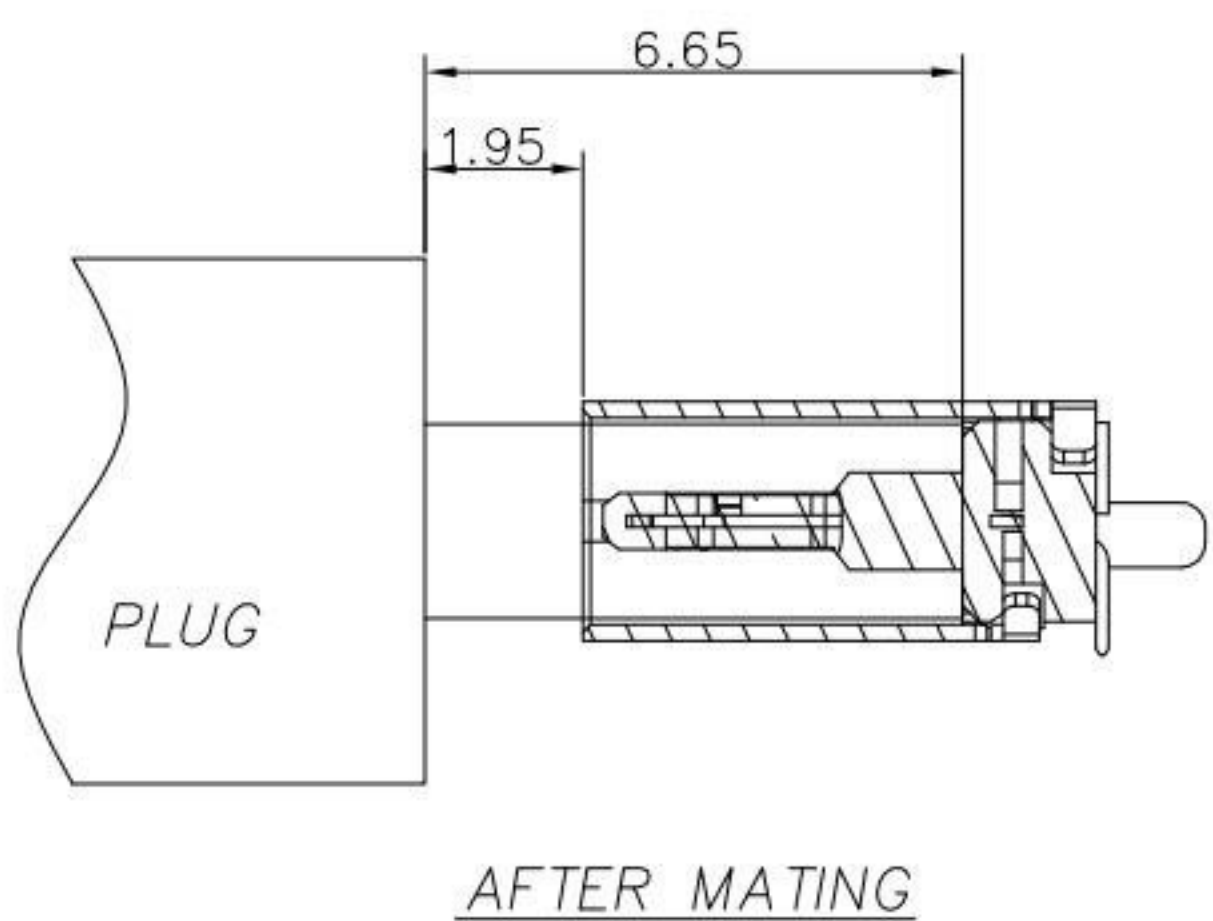
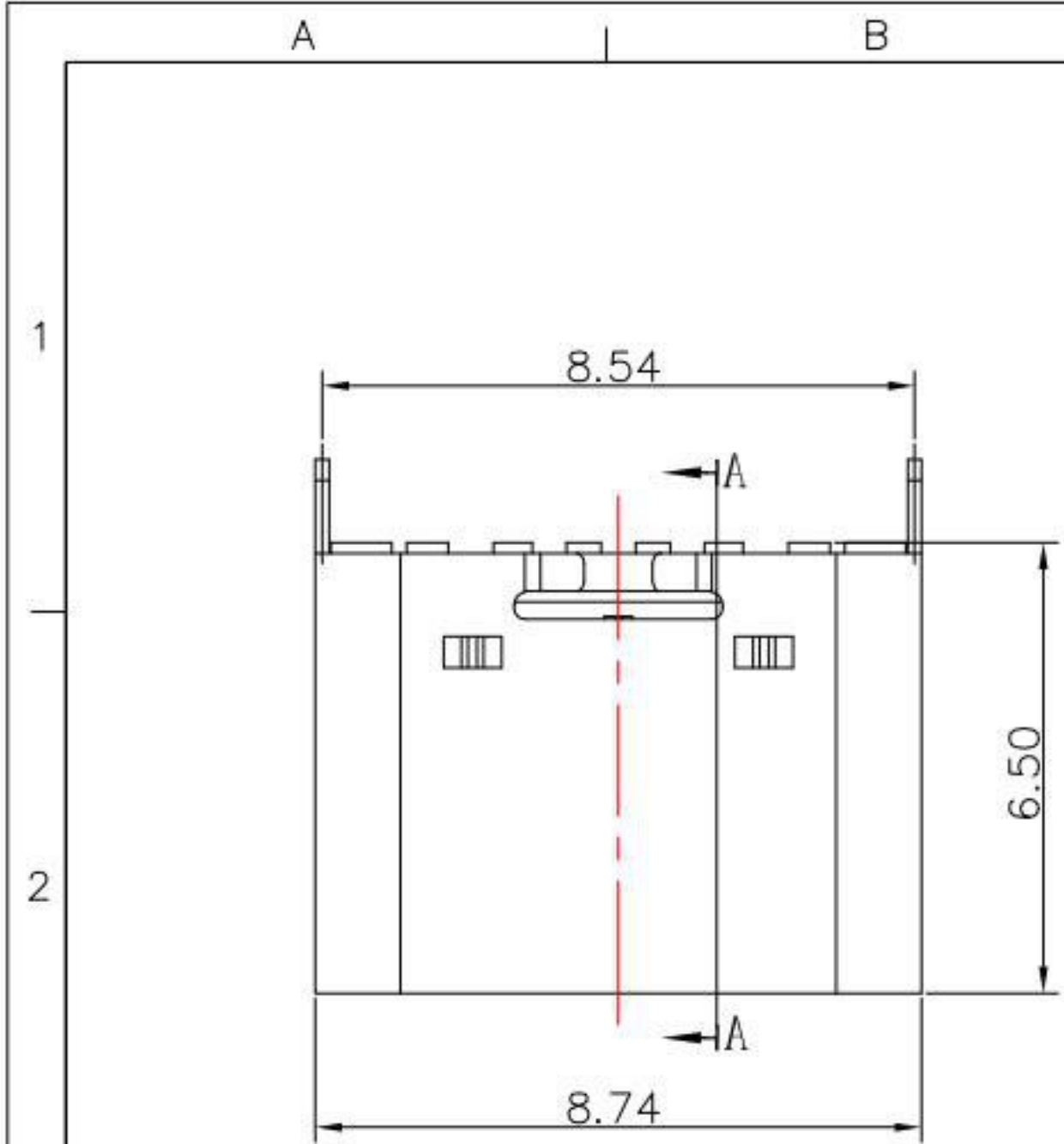
Blank : 1u"
2 : 15u"
3 : 30u"

PIN ASSIGNMENTS

A5	CC1	B12	GND
A9	VBUS	B9	VBUS
A12	GND	B5	CC2
PIN	SIGNAL NAME	PIN	SIGNAL NAME



RECOMMENDED P.C.B. LAYOUT



剖视 "A-A"
比例 1:1

SPECIFICATIONS

Electrical:

1. Rating: 5.0V , 3.0A
2. Dielectric Withstand Voltage: 100V AC
3. Contact Resistance: 40 mΩ Max
4. Insulation Resistance: 100 MΩ Min

Mechanical:

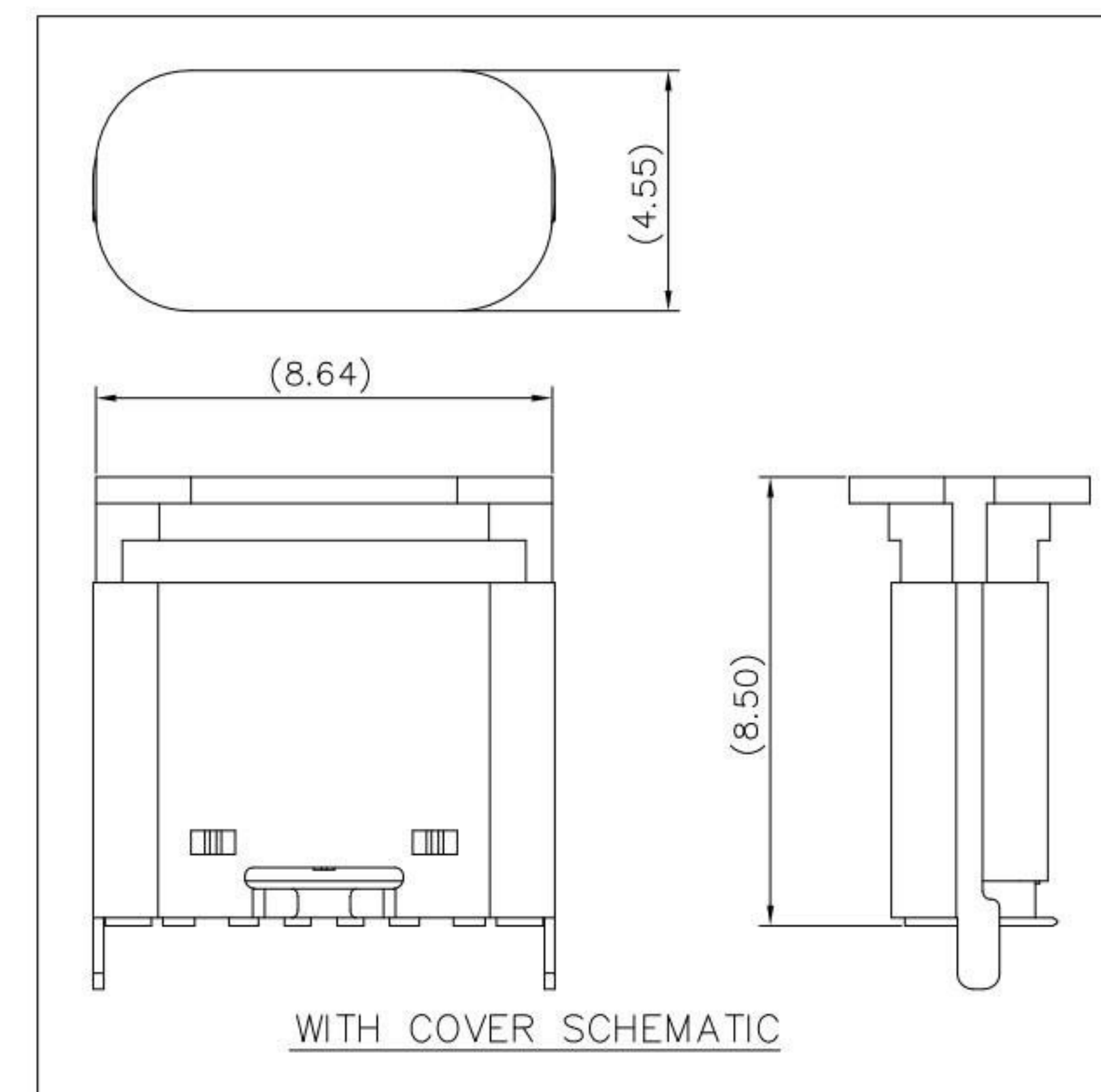
1. Connector Mate and Unmate Force
 - 1.1 Mate force: 5~20 N
 - 1.2 Unmate force: 8~20 N

Material:

1. Housing: PA9T
2. Contact: Brass
3. Shell: SUS

Finish:

1. Contact: Plated Gold in Mating Area ;
Gold Plated on Solder Balls ;
Nickel under plated overall
2. Shell: Nickel under Plated surface layer



WITH COVER SCHEMATIC

KSD 科斯达电子科技有限公司
SWITCH CONNECTOR KSD ELECTRONIC TECHNOLOGY Co., LTD
全球 互联网 零组件 制造企业

TOLERANCE UNLESS OTHERWISE STATED:	Up to 5 ±0.2	3RD. ANGEL'S	UNITS	MM
	Above 5 ~ 15 ±0.3			
	Above 15 ~ 30 ±0.4			
	Above 30 ~ 50 ±0.5			
	Angle ±0.3°			

DRAWN BY:	DATE
Jack Lu	07/01/22
CHECKED BY:	DATE
Jacky Chen	07/01/22
APPROVED BY:	DATE
Tony Kao	07/01/22

MAT'L	TITLE	CONNECTOR
FINISH	MODLE	TYPE C 6PIN 直立式SMT L6.5mm
SCALE	DWG NO.	SBC-060VSA-20x-S331
SHEET NO.	PART NO.	SBC-060VSA-20x-S331
1 of 1	SIZE	A4
	VER	R

ITEM NO.	DESCRIPTION	DRAWN	DATE