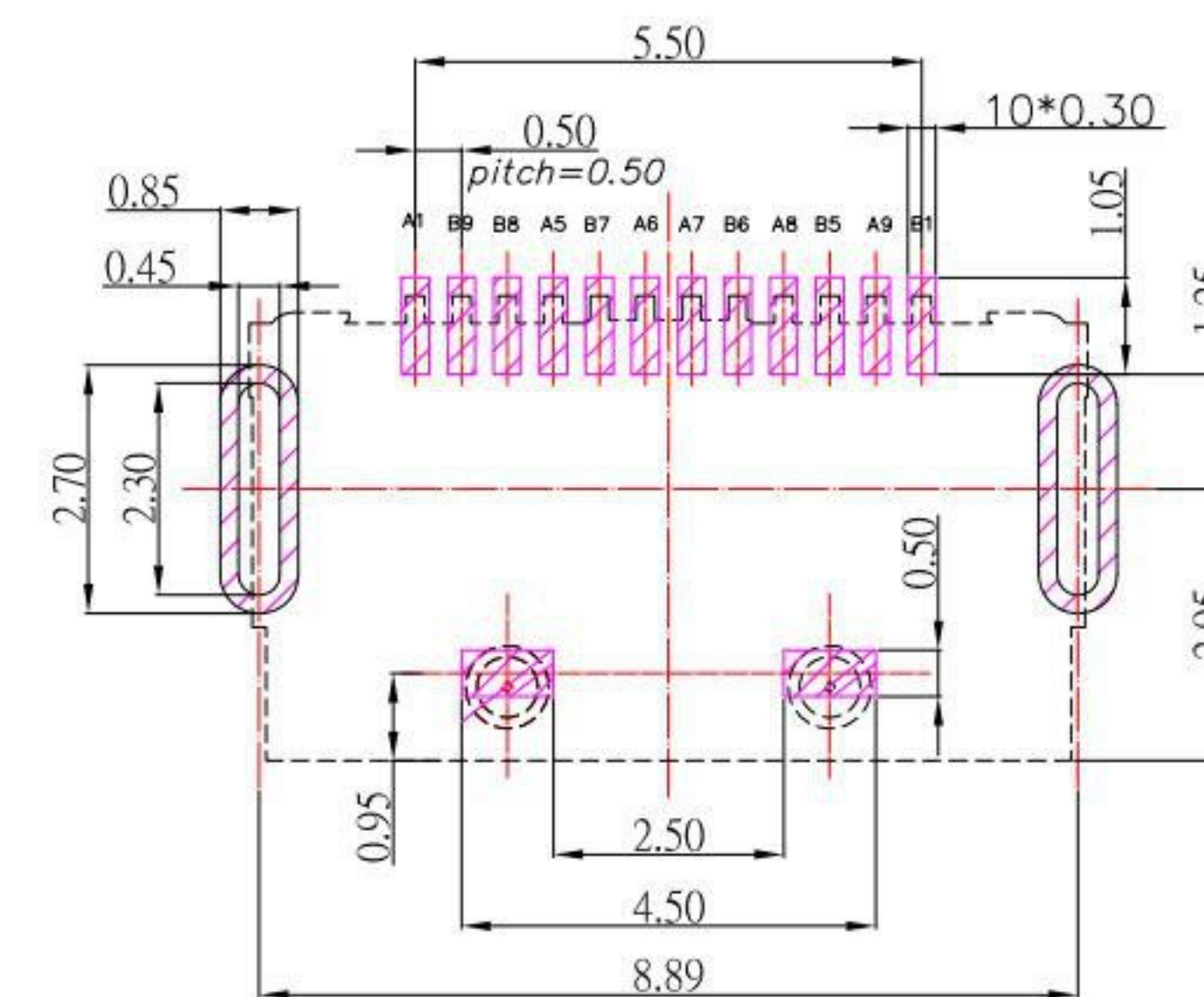


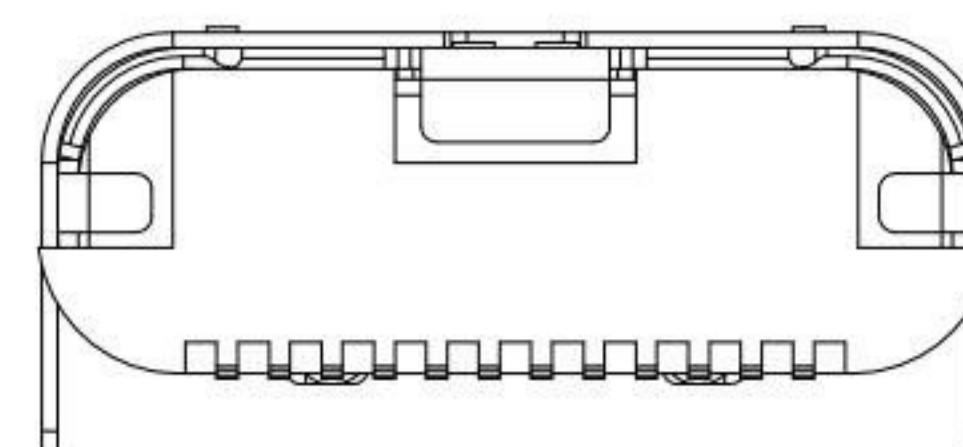
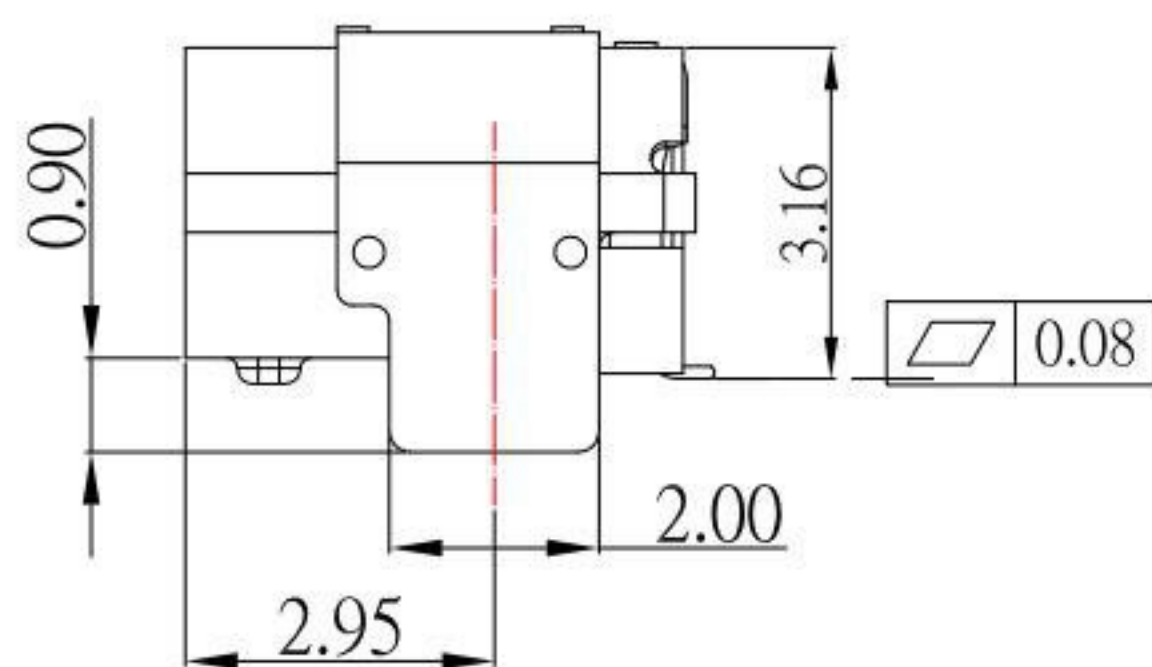
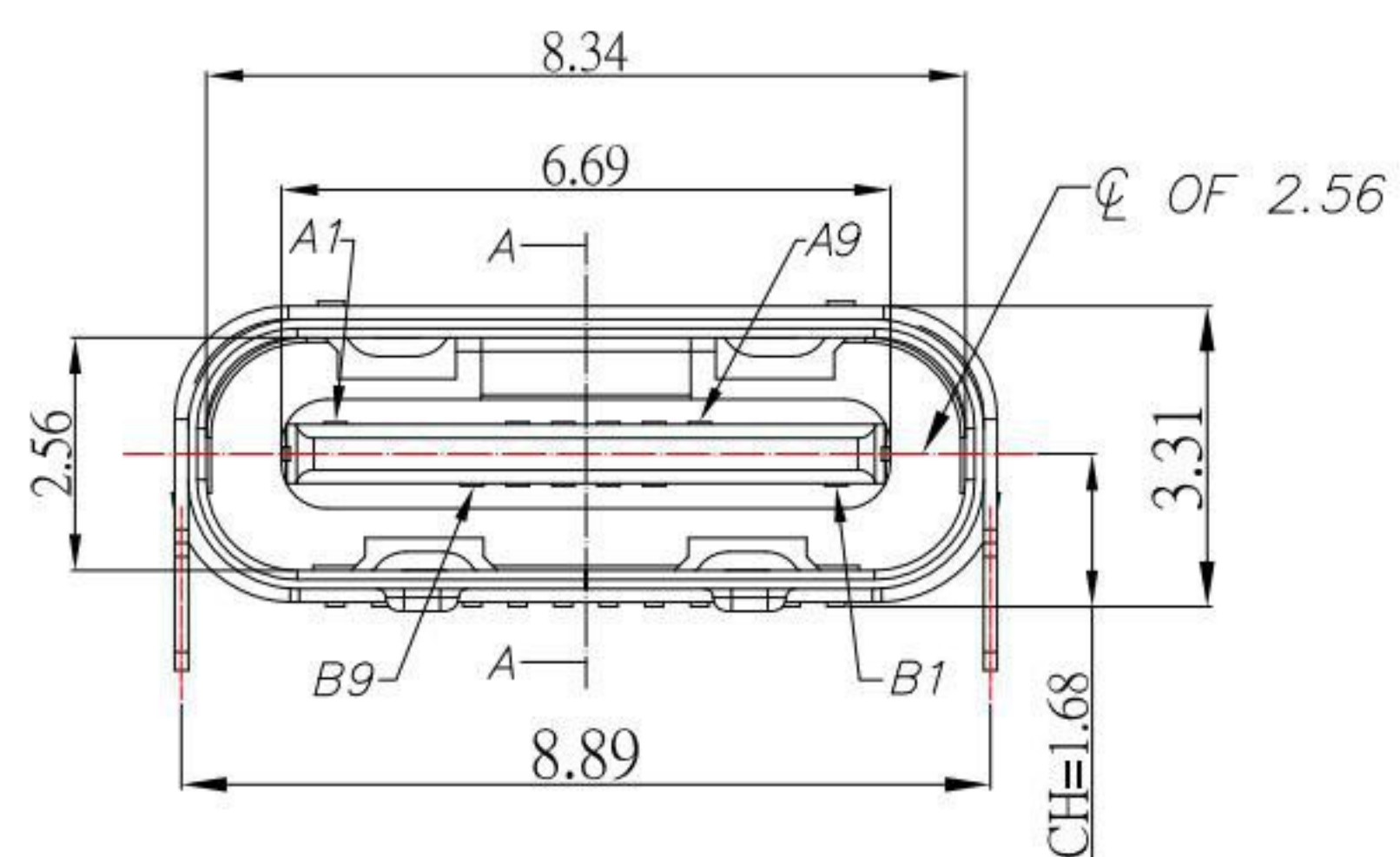
SBC-120S1-20x-S277

鍍層厚度:

Blank	: 1u"
2	: 15u"
3	: 30u"



RECOMMENDED P.C.B. LAYOUT



SPECIFICATIONS

Electrical:

- 1. Rating: 5.0V , 3.0A
- 1. Dielectric Withstand Voltage: 100V AC
- 2. Contact Resistance: 40 mΩ Max
- 3. Insulation Resistance: 100 MΩ Min

Material:

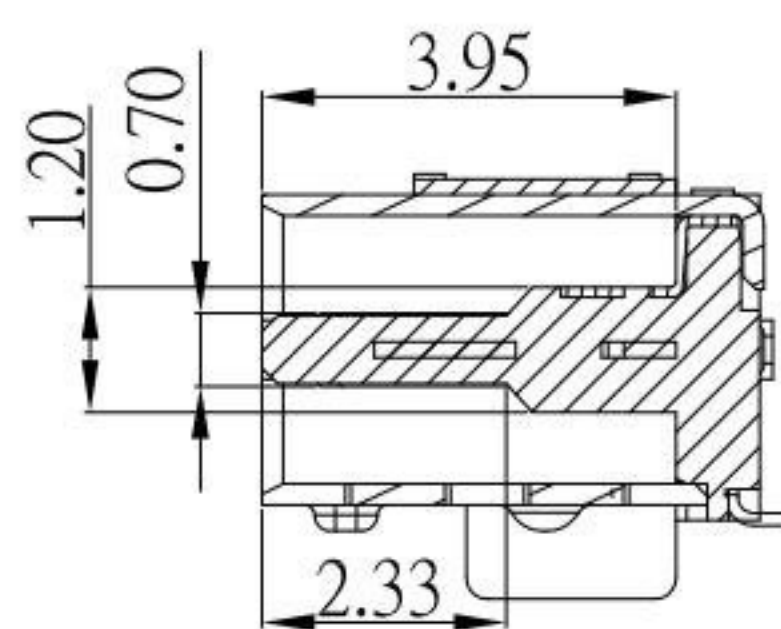
- 1. Housing: LCP
- 2. Contact: C7025
- 3. Shell: SUS

Finish:

- 1. Contact: Plated Gold in Mating Area ;
Gold Plated on Solder Balls ;
Nickel under plated overall
- 2. Shell: Nickel under Plated surface layer

USB TYPE-C PIN ASSIGNMENTS

PIN NUMBER	SIGNAL NAME	PIN NUMBER	SIGNAL NAME
A1	GND	B9	VBUS
A5	CC1	B8	SBU2
A6	DP1	B7	DN2
A7	DN1	B6	DP2
A8	SBU1	B5	CC2
A9	VBUS	B1	GND



SECTION A-A
SCALE 1:1

KSD 科斯达电子科技有限公司
SWITCH CONNECTOR KSD ELECTRONIC TECHNOLOGY Co., LTD
全球 互联零组件制造企业

TOLERANCE UNLESS OTHERWISE STATED:	Up to 5 ±0.2	3RD. ANGEL'S	UNITS	MM
	Above 5 ~ 15 ±0.3			
	Above 15 ~ 30 ±0.4			
	Above 30 ~ 50 ±0.5			
	Angle ±0.3°			

DRAWN BY:	DATE	MAT'L	TITLE	CONNECTOR
Jack Lu	10/11/22		MODLE	USB TYPE C 2.0 板上型 SMT L 4.75 mm
CHECKED BY:	DATE	FINISH	DWG NO.	SBC-120S1-20x-S277
Jacky Chen	10/11/22		SHEET NO.	1 of 1
APPROVED BY:	DATE	SCALE	PART NO.	SBC-120S1-20x-S277
Tony Kao	10/11/22	1:1		

ITEM NO.	DESCRIPTION	DRAWN	DATE