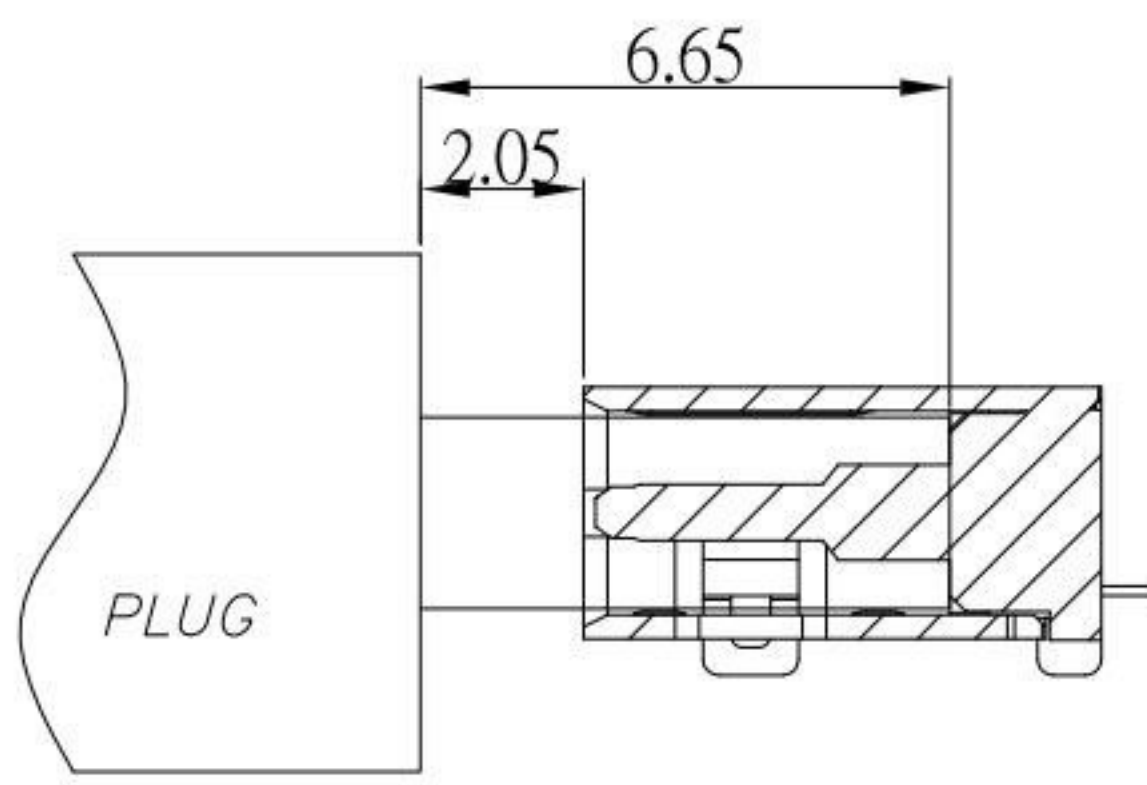
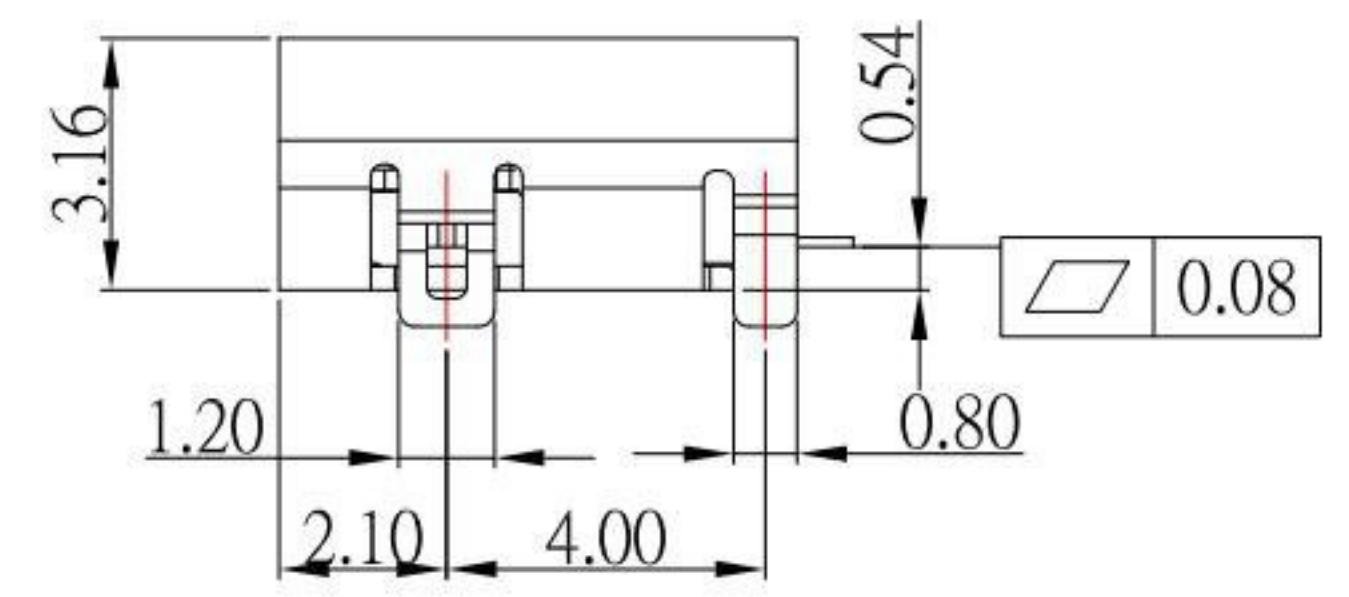
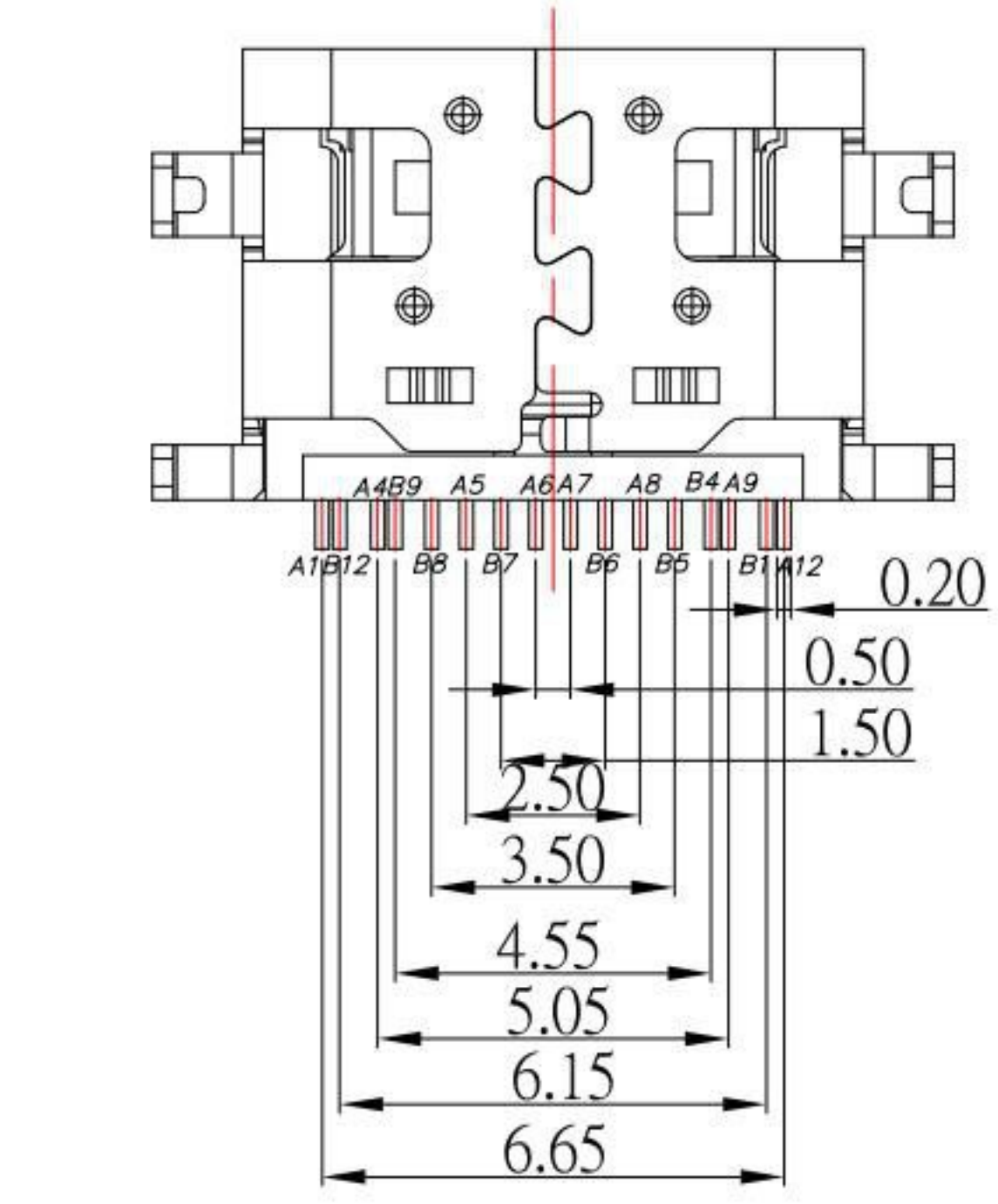
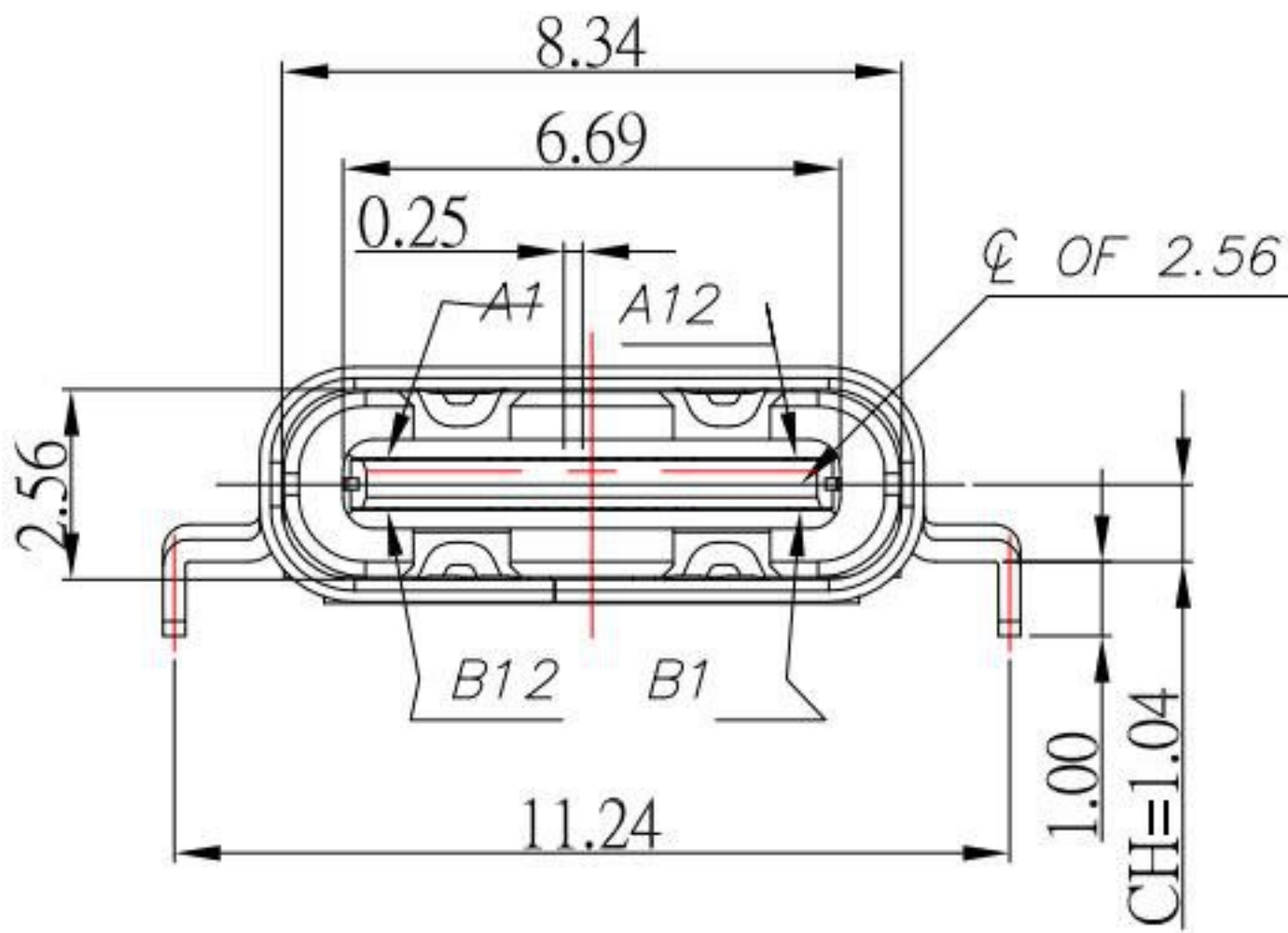
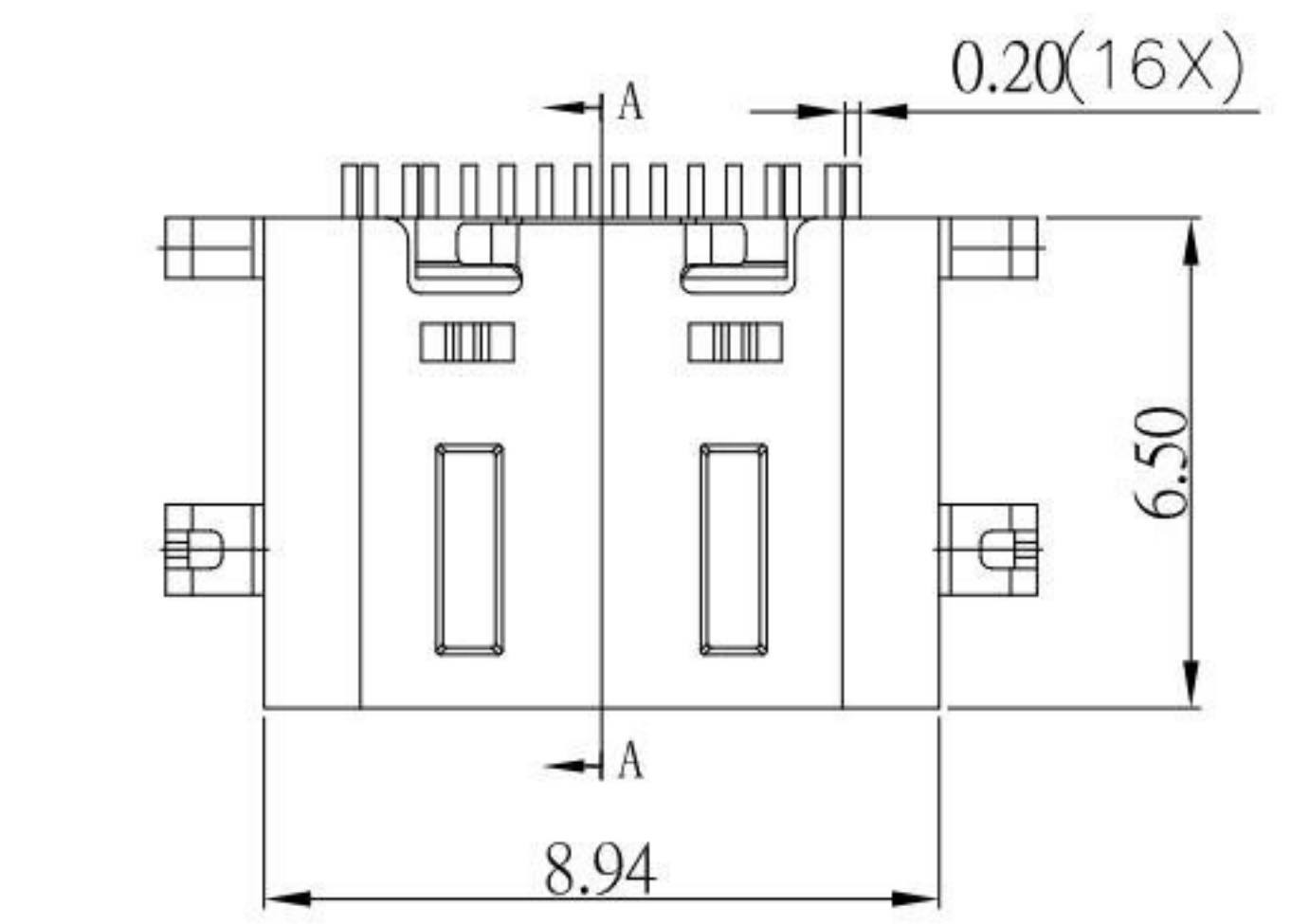




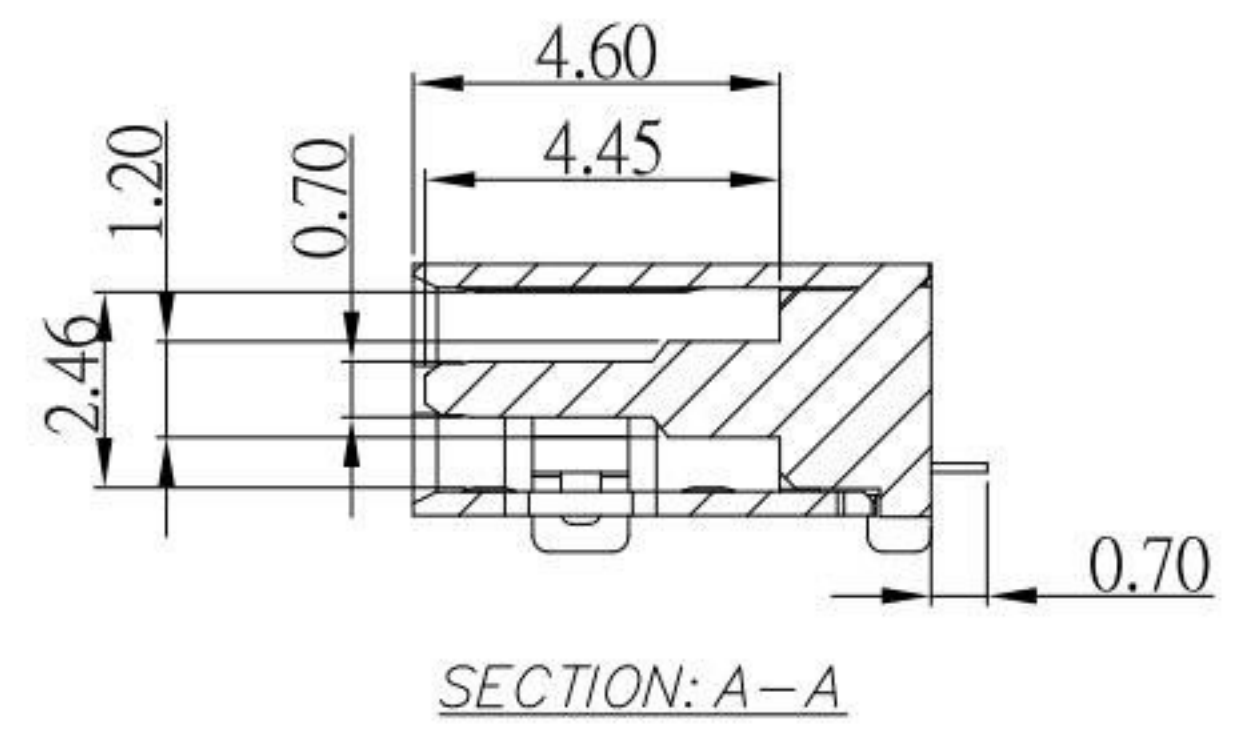
SBC-160M16-20x-S331

鍍層厚度:

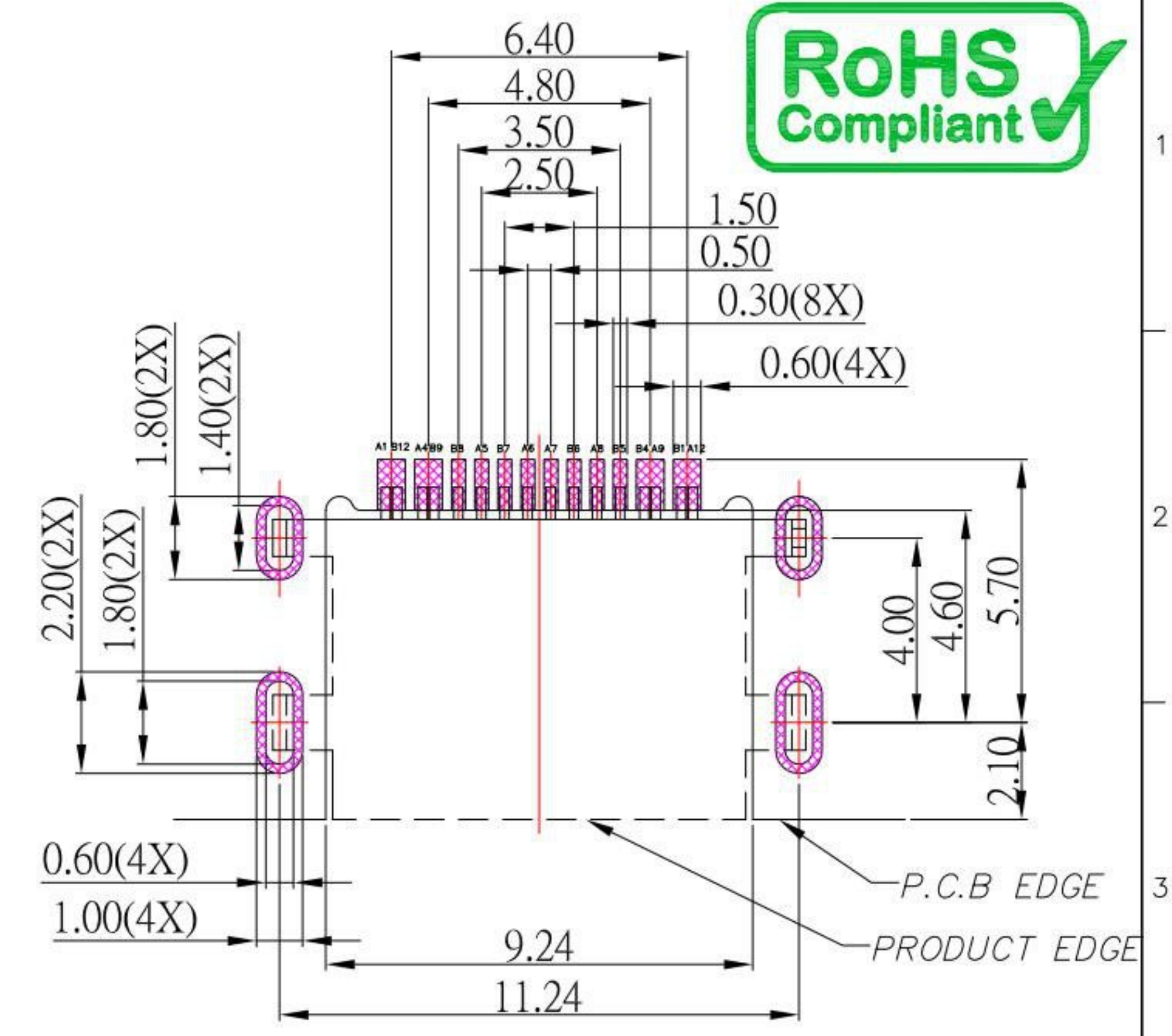
Blank	: 1u"
2	: 15u"
3	: 30u"



AFTER MATING



SECTION: A-A



RECOMMENDED P.C.B. LAYOUT

USB TYPE-C PIN ASSIGNMENTS

PIN NUMBER	SIGNAL NAME	PIN NUMBER	SIGNAL NAME
A1	GND	B12	GND
A4	VBUS	B9	VBUS
A5	CC1	B8	SBU2
A6	Dp1	B7	Dn2
A7	Dn1	B6	Dp2
A8	SBU1	B5	CC2
A9	VBUS	B4	VBUS
A12	GND	B1	GND

SPECIFICATIONS

- Electrical:**
- 1.Rating: 5.0 V, 5.0 A
 - 2.Dielectric Withstand Voltage: 100V AC
 - 3.Contact Resistance: 40 mΩ Max
 - 4.Insulation Resistance: 100 MΩ Min
- Mechanical:**
- 1.Connector Mate and Unmate Force
 - 1.1 Mate force: 5~20 N
 - 1.2 Unmate force: 8~20 N
- Material:**
- 1.Housing: PA9T
 - 2.Contact: C1815
 - 3.Shell: SUS
- Finish:**
- 1.Contact: Plated Gold in Mating Area ;
Gold Plated on Solder Balls ;
Nickel under plated overall
 - 2.Shell: Nickel under Plated surface layer

KSD 科斯达电子科技有限公司
SWITCH CONNECTOR KSD ELECTRONIC TECHNOLOGY Co., LTD
全球 互联零组件制造企业

TOLERANCE UNLESS OTHERWISE STATED:

Up to 5	±0.2
Above 5 ~ 15	±0.3
Above 15 ~ 30	±0.4
Above 30 ~ 50	±0.5
Angle	±0.3°

3RD. ANGEL'S

DRAWN BY:	DATE	MAT'L	TITLE	CONNECTOR
Jack Lu	11/02/22		MODLE	USB TYPE C 2.0 沉板板上H2.62mm
CHECKED BY:	DATE	FINISH	DWG NO.	SBC-160M16-20x-S331
Jacky Chen	11/02/22		PART NO.	SBC-160M16-20x-S331
APPROVED BY:	DATE	SCALE	SHEET NO.	1 of 1
Tony Kao	11/02/22	1 : 1		

ITEM NO.	DESCRIPTION	DRAWN	DATE
2	更新Contact材質	Jack	110222
1	更新鍍層	Jack	102822