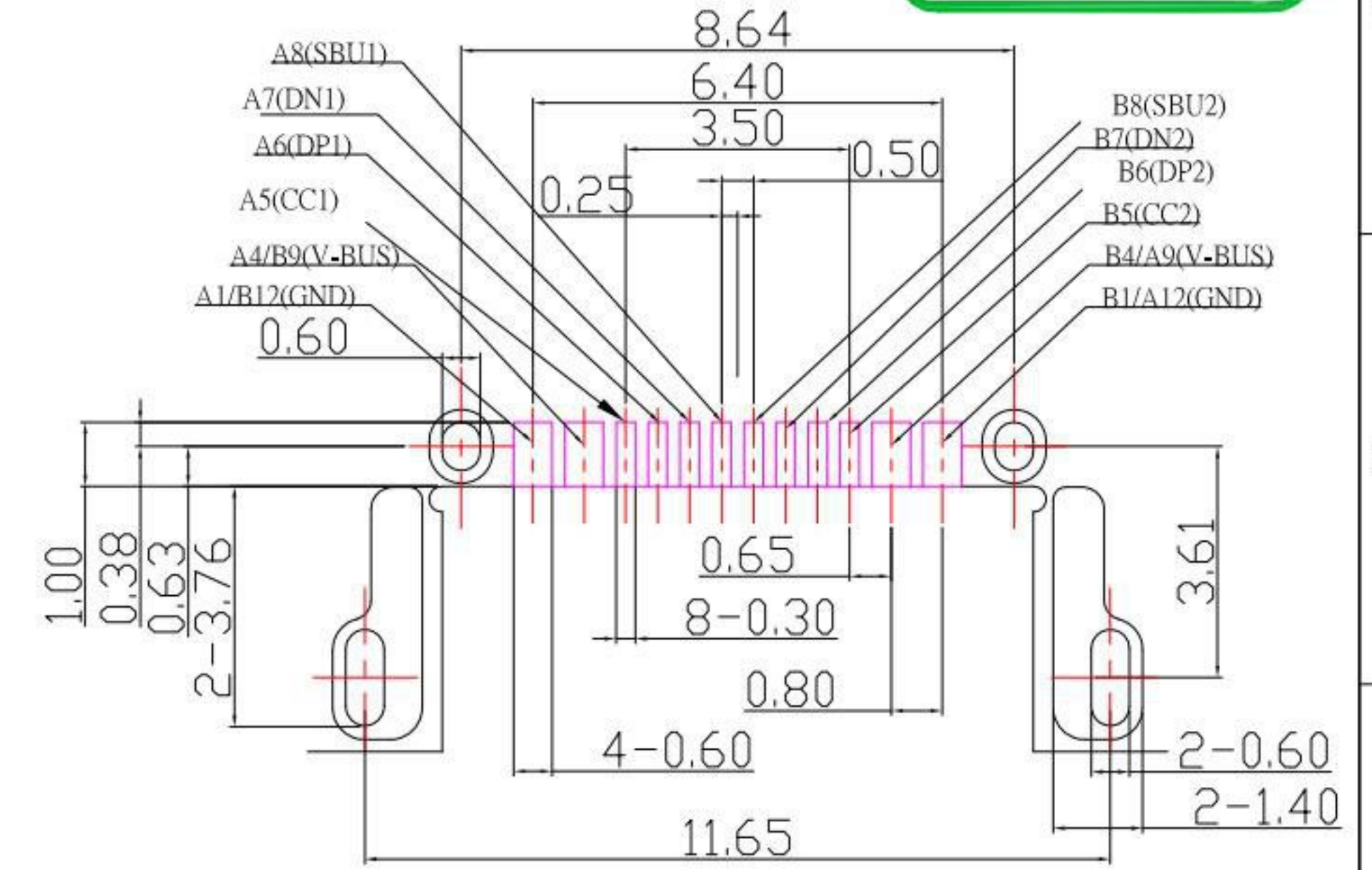
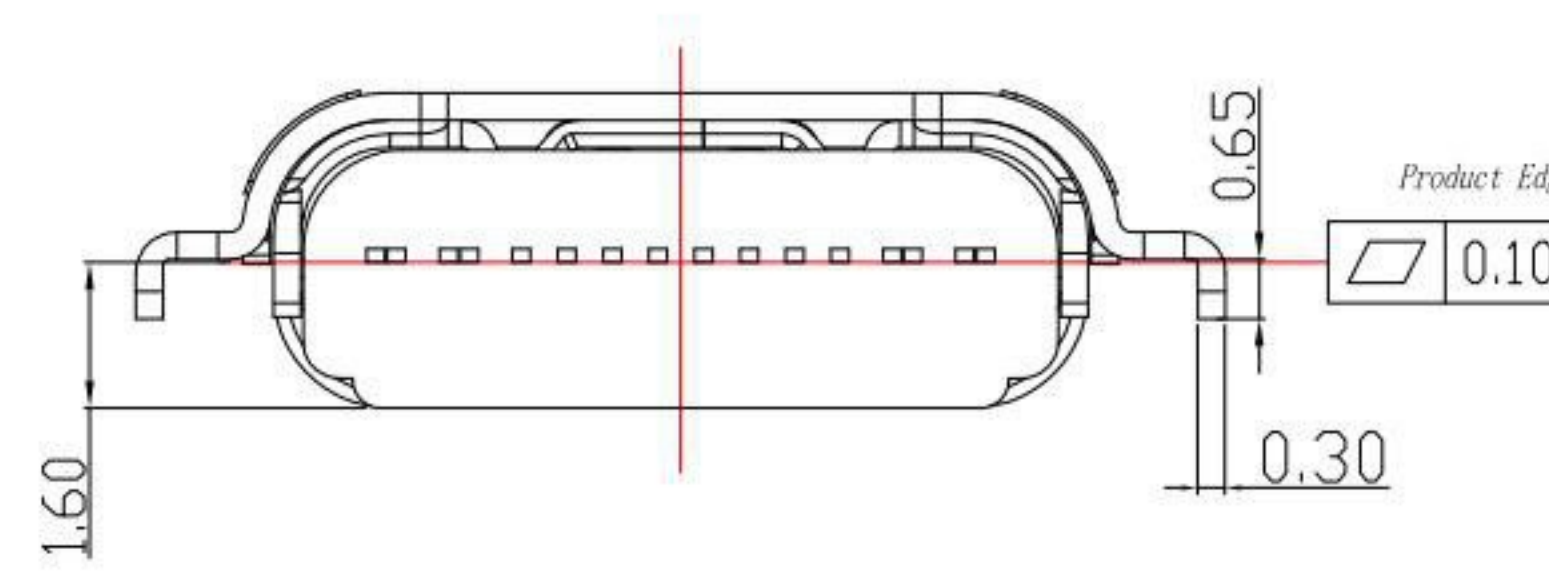
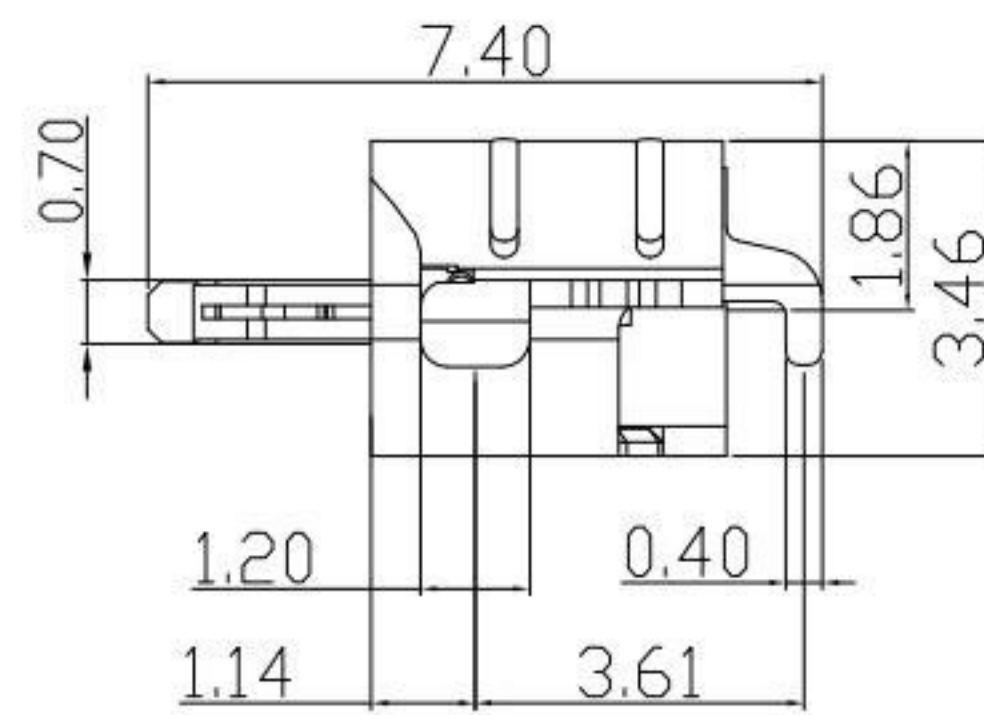
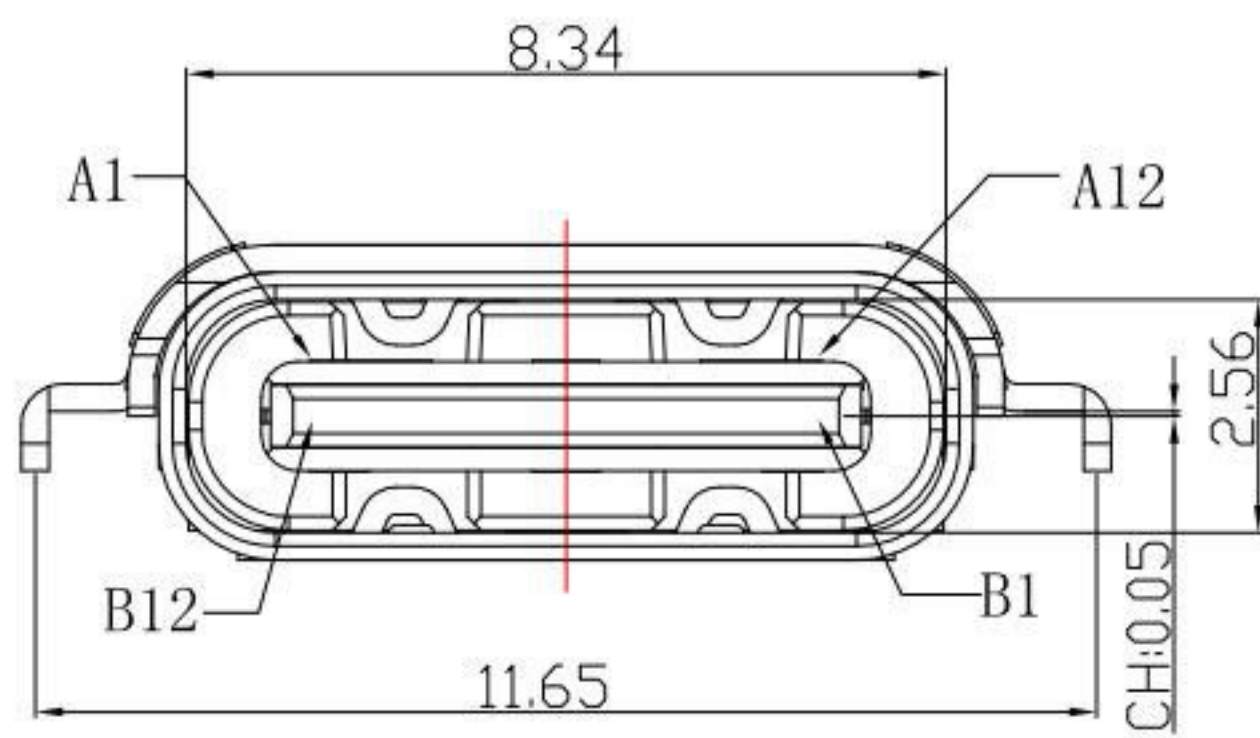
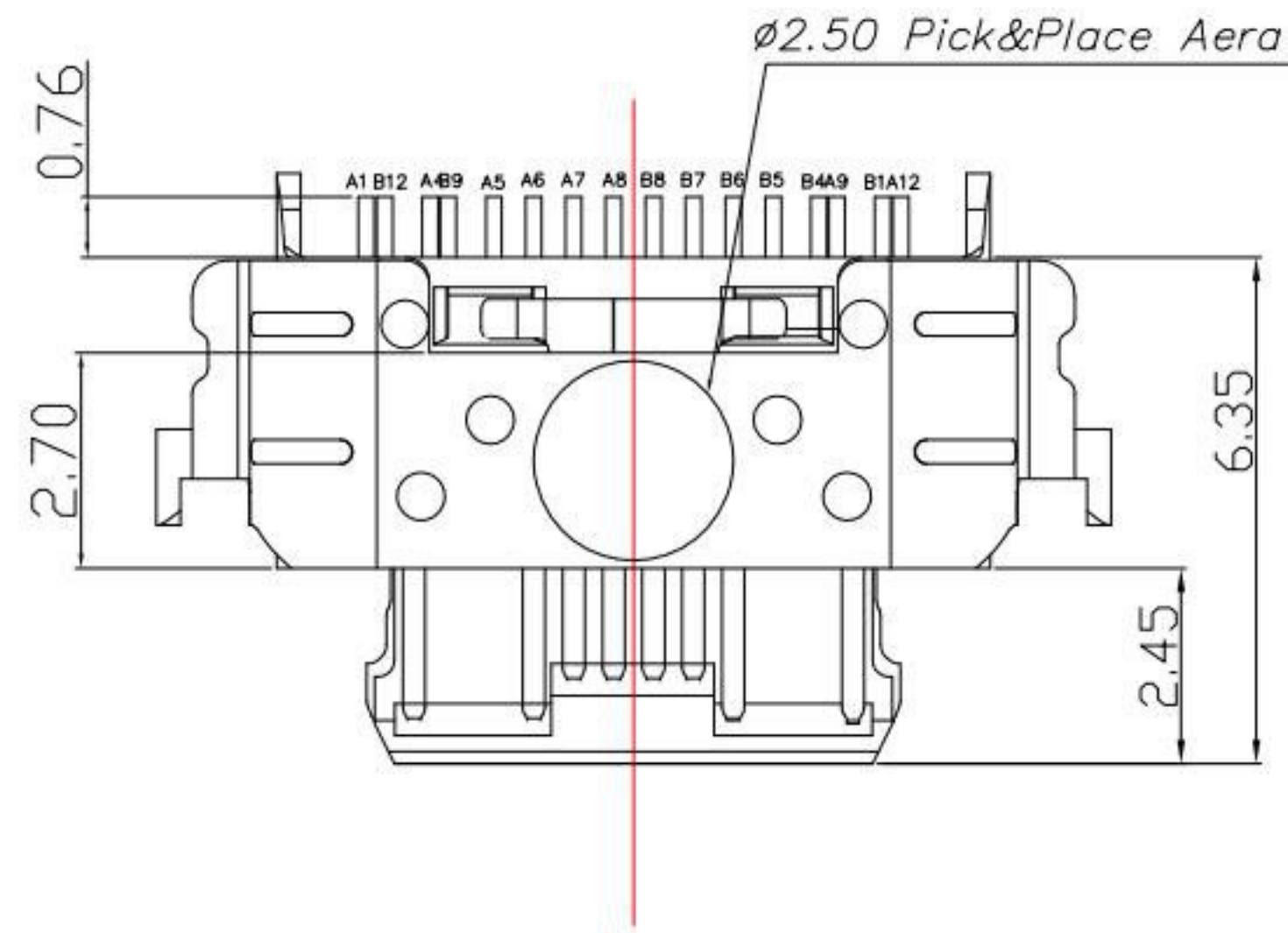




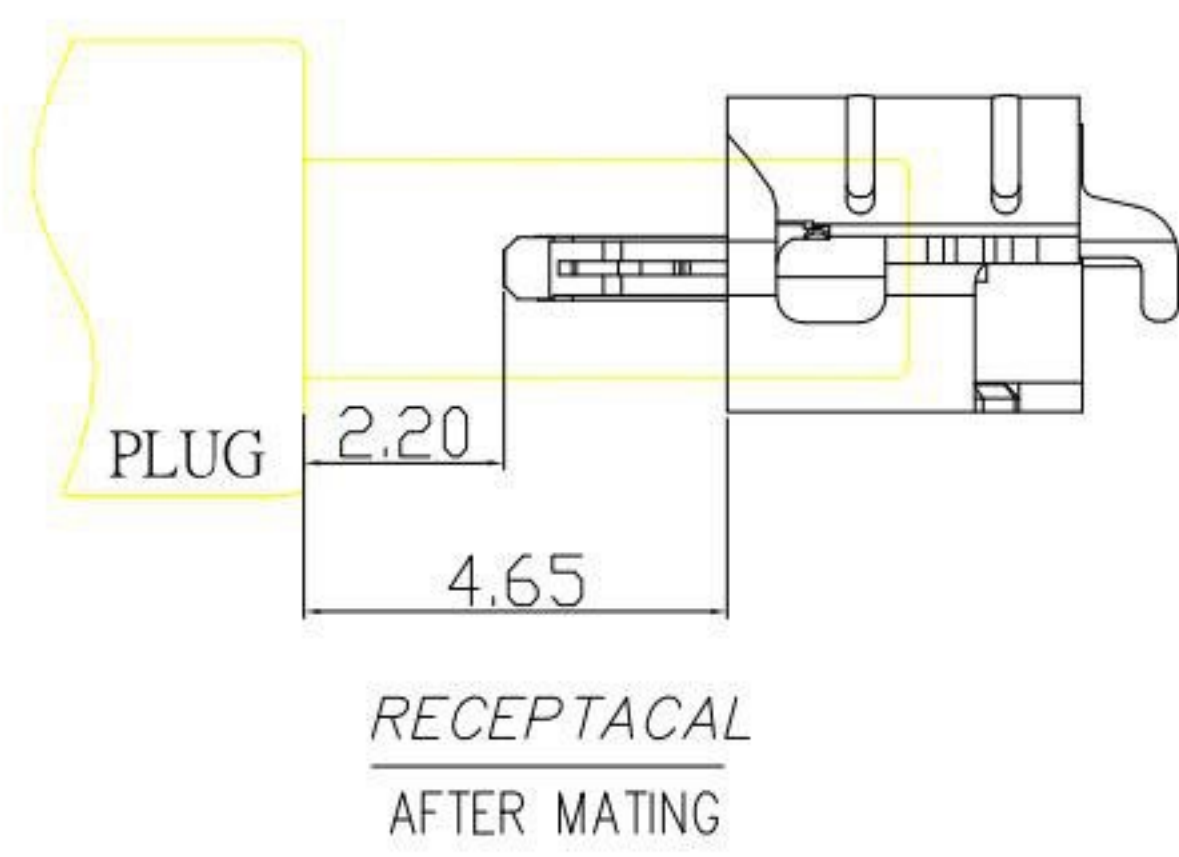
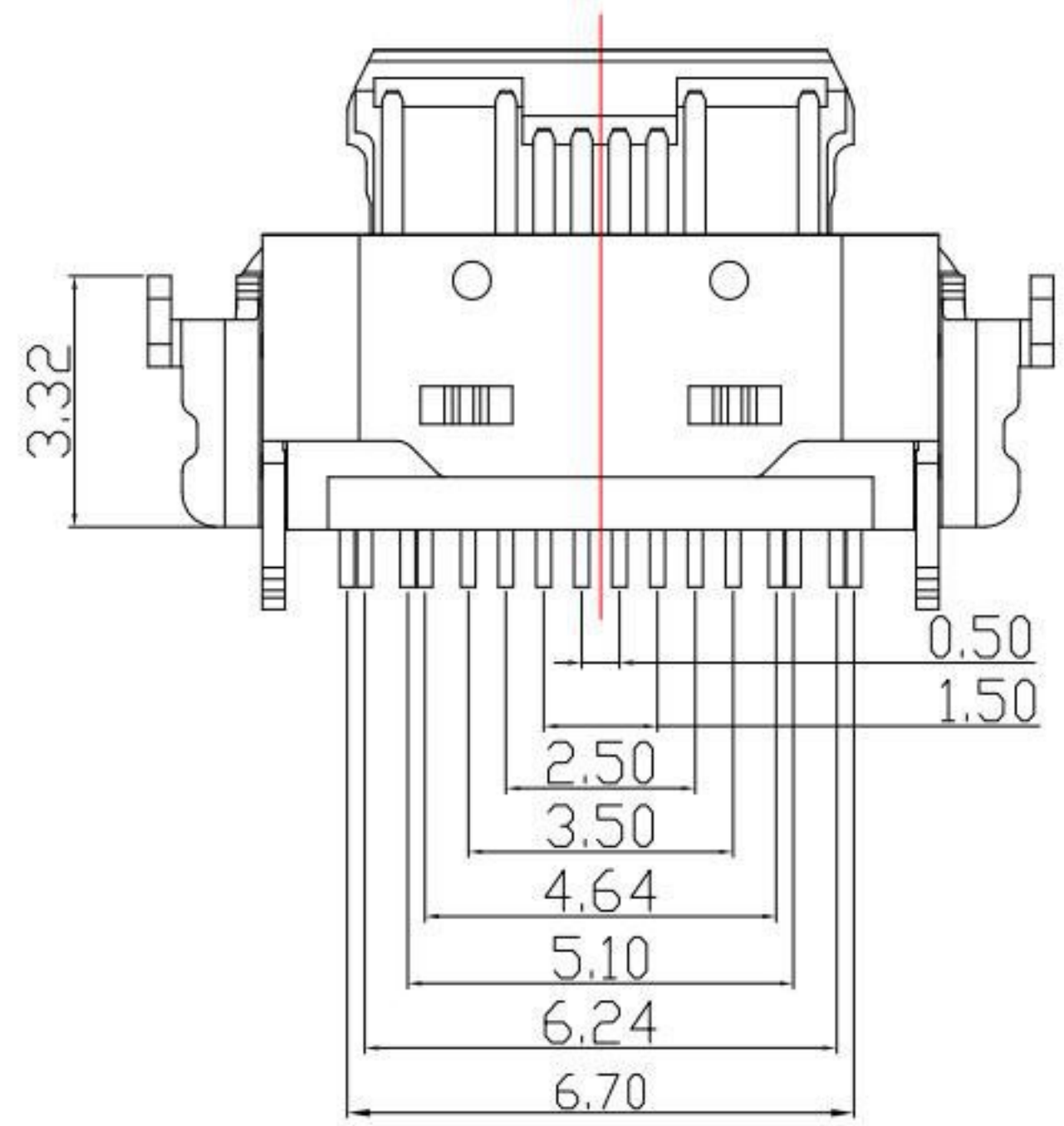
SBC-160M17H-20x-S331

鍍層厚度:

Blank	: 1u"
2	: 15u"
3	: 30u"



RECOMMENDED P.C.B. LAYOUT



SPECIFICATIONS

- Electrical:**
1. Rating: 20V, 5.0 A
 2. Dielectric Withstand Voltage: 100V AC
 3. Contact Resistance: 40 mΩ Max
 4. Insulation Resistance: 100 MΩ Min
- Mechanical:**
1. Connector Mate and Unmate Force
 - 1.1 Mate force: 5~20 N
 - 1.2 Unmate force: 8~20 N

- Material:**
1. Housing: LCP
 2. Contact: C18150
 3. Shell: SUS
- Finish:**
1. Contact: Plated Gold in Mating Area ;
Gold Plated on Solder Balls ;
Nickel under plated overall
 2. Shell: Nickel under Plated surface layer

KSD 科斯达电子科技有限公司
 SWITCH CONNECTOR KSD ELECTRONIC TECHNOLOGY Co., LTD
 全球 互聯零組件製造企業

TOLERANCE UNLESS OTHERWISE STATED:	Up to 5 ±0.2	3RD. ANGEL'S	UNITS	MM
	Above 5 ~ 15 ±0.3			
	Above 15 ~ 30 ±0.4			
	Above 30 ~ 50 ±0.5			
	Angle ±0.3°			

DRAWN BY:	DATE	MAT'L	TITLE	CONNECTOR
Jack Lu	03/16/23		MODLE	USB TYPE C 2.0 沉板上H1.86mm
CHECKED BY:	DATE	FINISH	DWG NO.	SBC-160M17H-20x-S331
Jacky Chen	03/16/23		SCALE	1 : 1
APPROVED BY:	DATE	SHEET NO.	PART NO.	SBC-160M17H-20x-S331
Tony Kao	03/16/23	1 of 1	SIZE	A4
			VER	R1

1	新增CH 尺寸	Jack	031623
ITEM NO.	DESCRIPTION	DRAWN	DATE