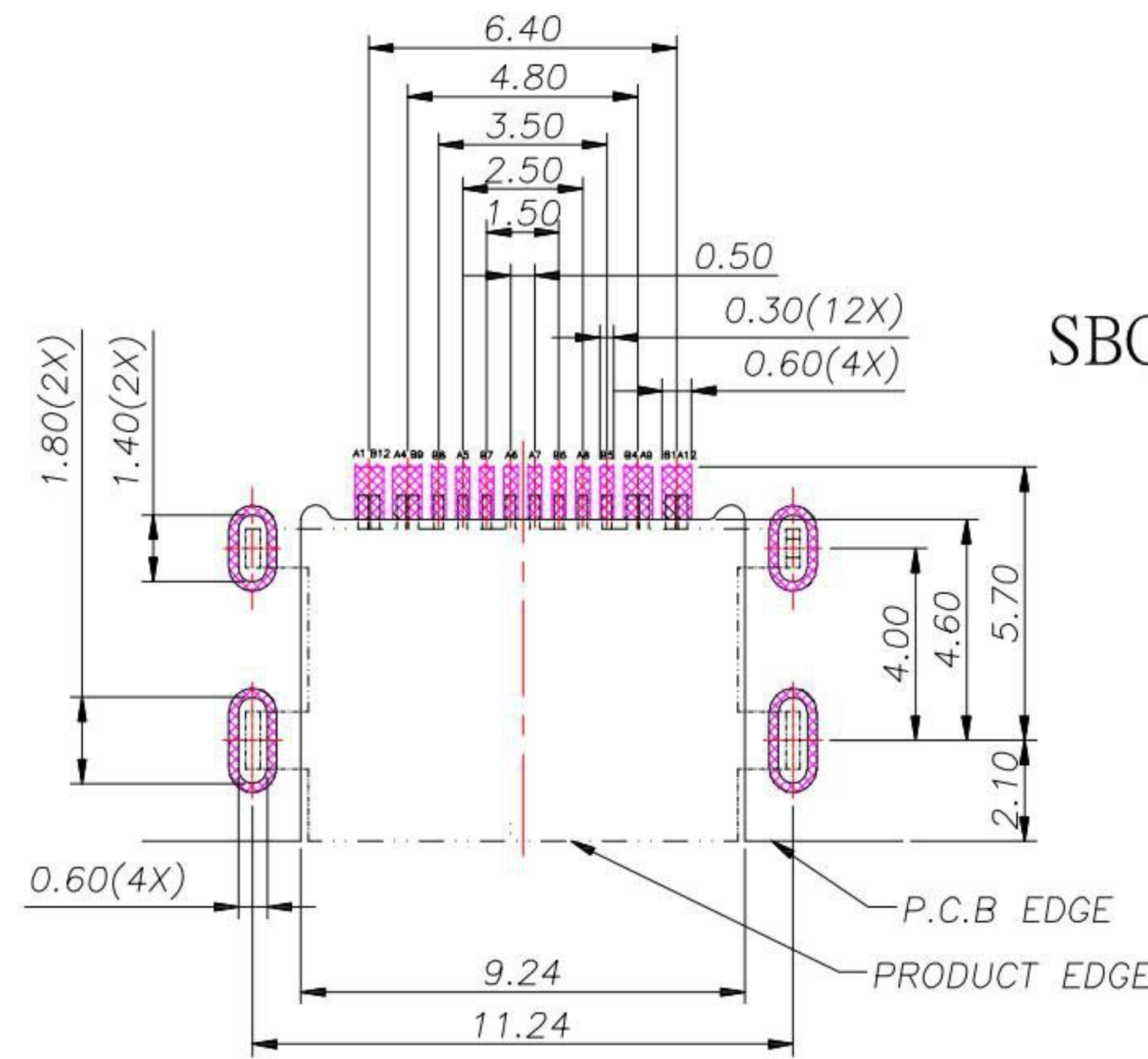
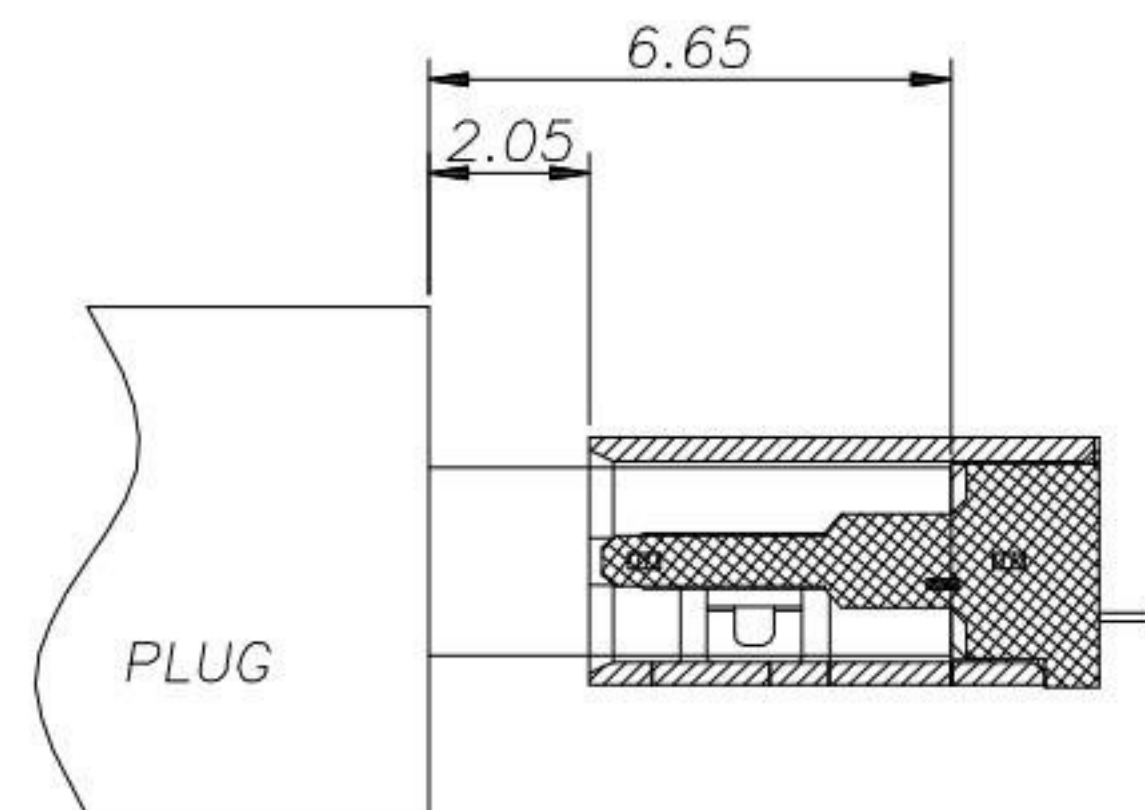
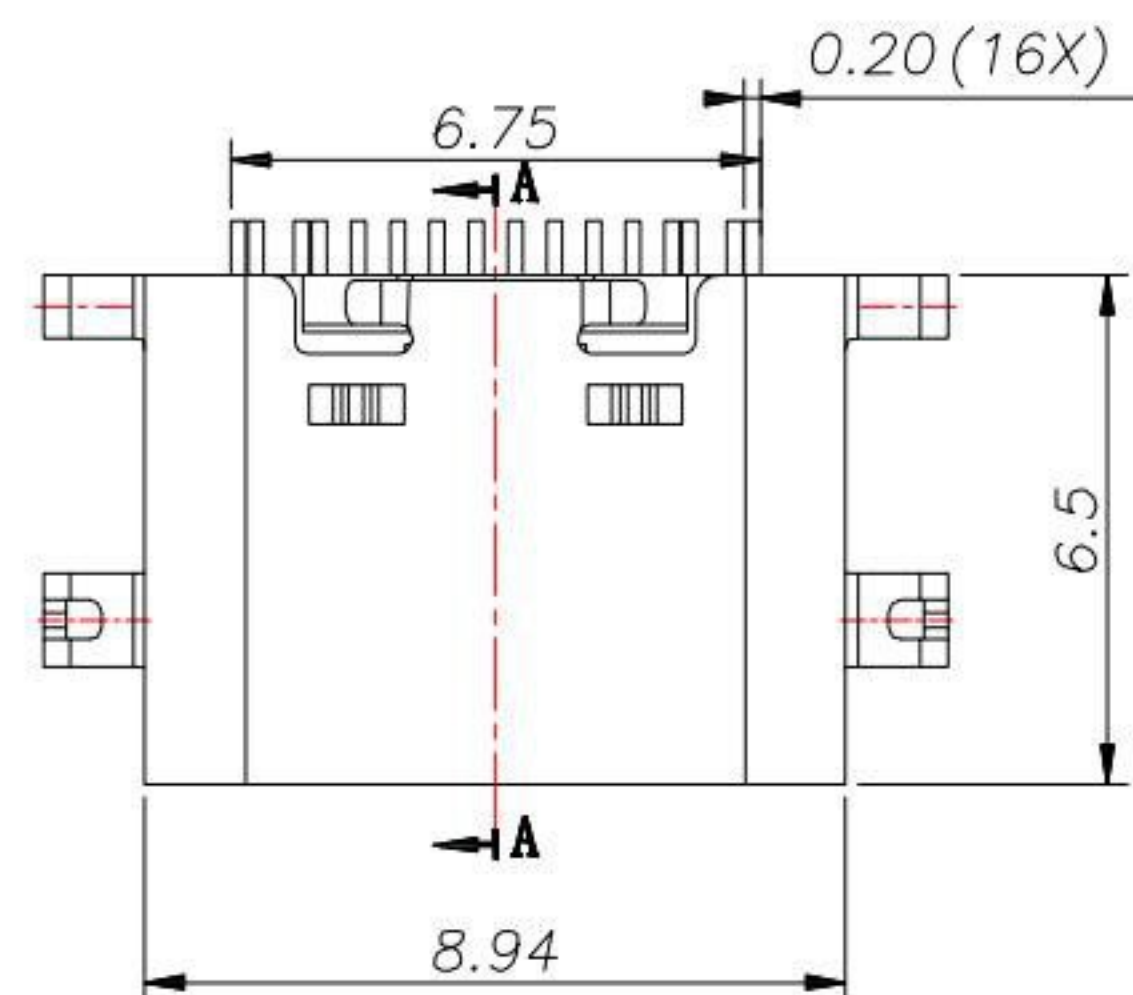




SBC-160M5A-20x-S412

鍍層厚度:

Blank	: 1u"
2	: 15u"
3	: 30u"



RECOMMENDED PCB LAYOUT

USB TYPE-C PIN ASSIGNMENTS

PIN NUMBER	SIGNAL NAME	PIN NUMBER	SIGNAL NAME
A1	GND	B12	GND
A4	VBUS	B9	VBUS
A5	CC1	B8	SBU2
A6	Dp1	B7	Dn2
A7	Dn1	B6	Dp2
A8	SBU1	B5	CC2
A9	VBUS	B4	VBUS
A12	GND	B1	GND

SPECIFICATIONS

Electrical:

1. Rating: 5.0V , 3.0 A
2. Contact Resistance: 40 mΩ Max
3. Insulation Resistance: 100 MΩ Min

Mechanical:

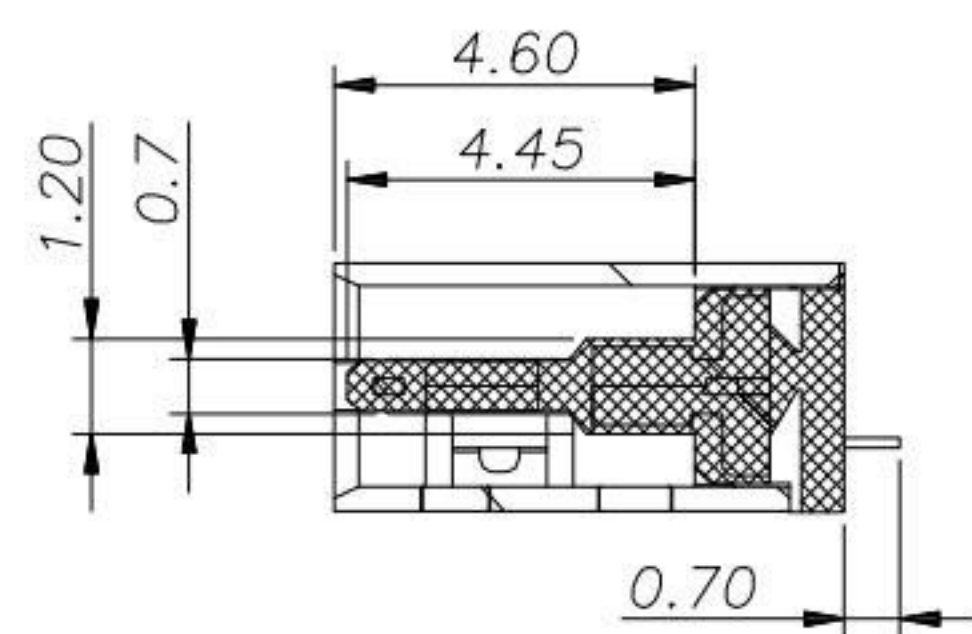
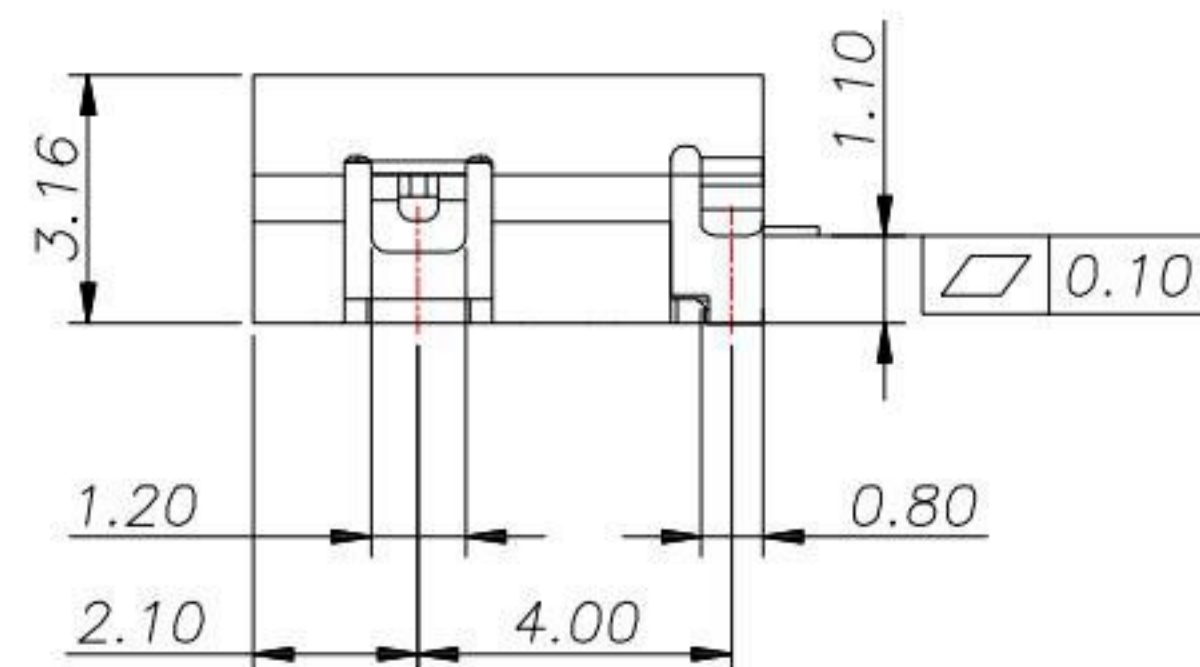
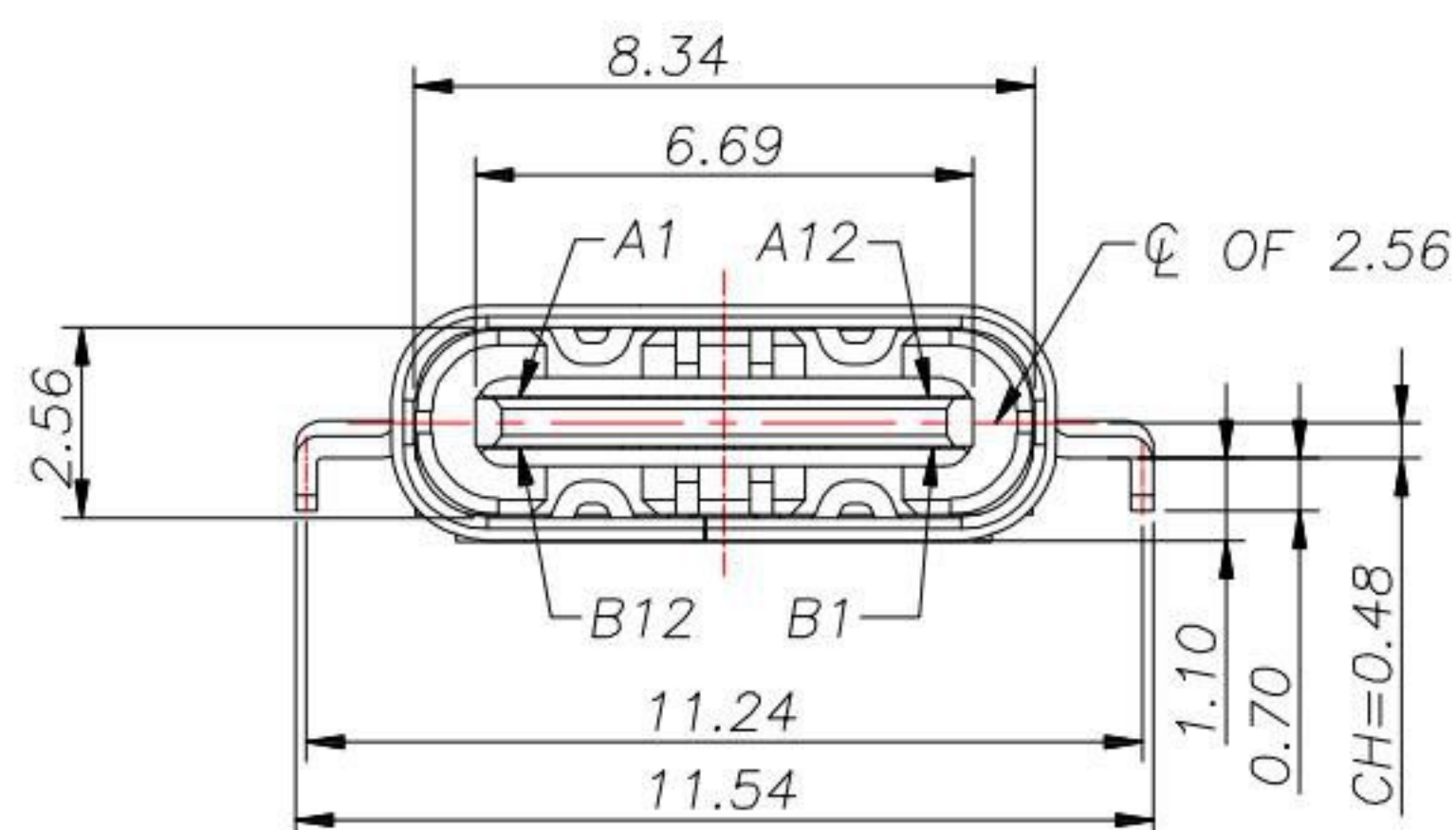
1. Connector Mate and Unmate Force
 - 1.1 Mate force: 5~20 N
 - 1.2 Unmate force: 8~20 N

Material:

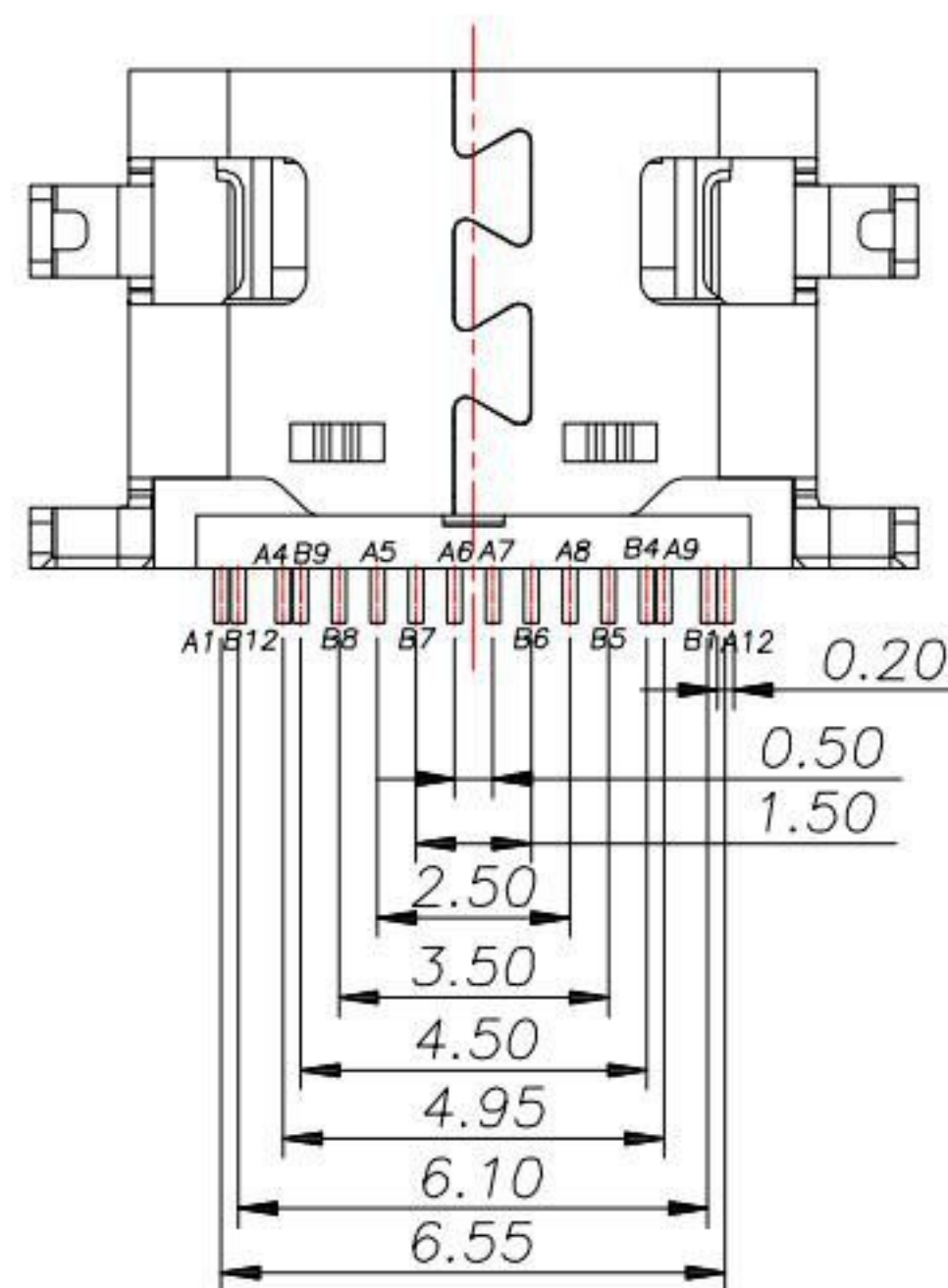
1. Housing: LCP
2. Contact: C7025
3. Shell: SUS

Finish:

1. Contact: Plated Gold in Mating Area ;
Gold Plated on Solder Balls ;
Nickel under plated overall
2. Shell: Nickel under Plated surface layer



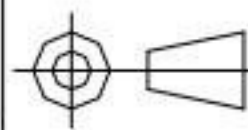
SECTION:A-A



KSD 科斯达电子科技有限公司
 SWITCH CONNECTOR 全球 互联零组件制造企业
KSD ELECTRONIC TECHNOLOGY Co., LTD

TOLERANCE UNLESS OTHERWISE STATED:
 Up to 5 ±0.2
 Above 5 ~ 15 ±0.3
 Above 15 ~ 30 ±0.4
 Above 30 ~ 50 ±0.5
 Angle ±0.3°

3RD. ANGEL'S



UNITS MM

DRAWN BY:	DATE
Jack Lu	09/14/21
CHECKED BY:	DATE
Jacky Chen	09/14/21
APPROVED BY:	DATE
Tony Kao	09/14/21

MAT'L	TITLE	CONNECTOR
FINISH	MODLE	USB TYPE C 2.0 沉板 1.1mm
SCALE	DWG NO.	SBC-160M5A-20x-S412
SHEET NO.	PART NO.	SBC-160M5A-20x-S412
1 : 1	SIZE	A4
1 of 1	VER	R2

ITEM NO.	DESCRIPTION	DRAWN	DATE
2	更新鍍層	Jack	091421
1	更新材質	Jack	091321