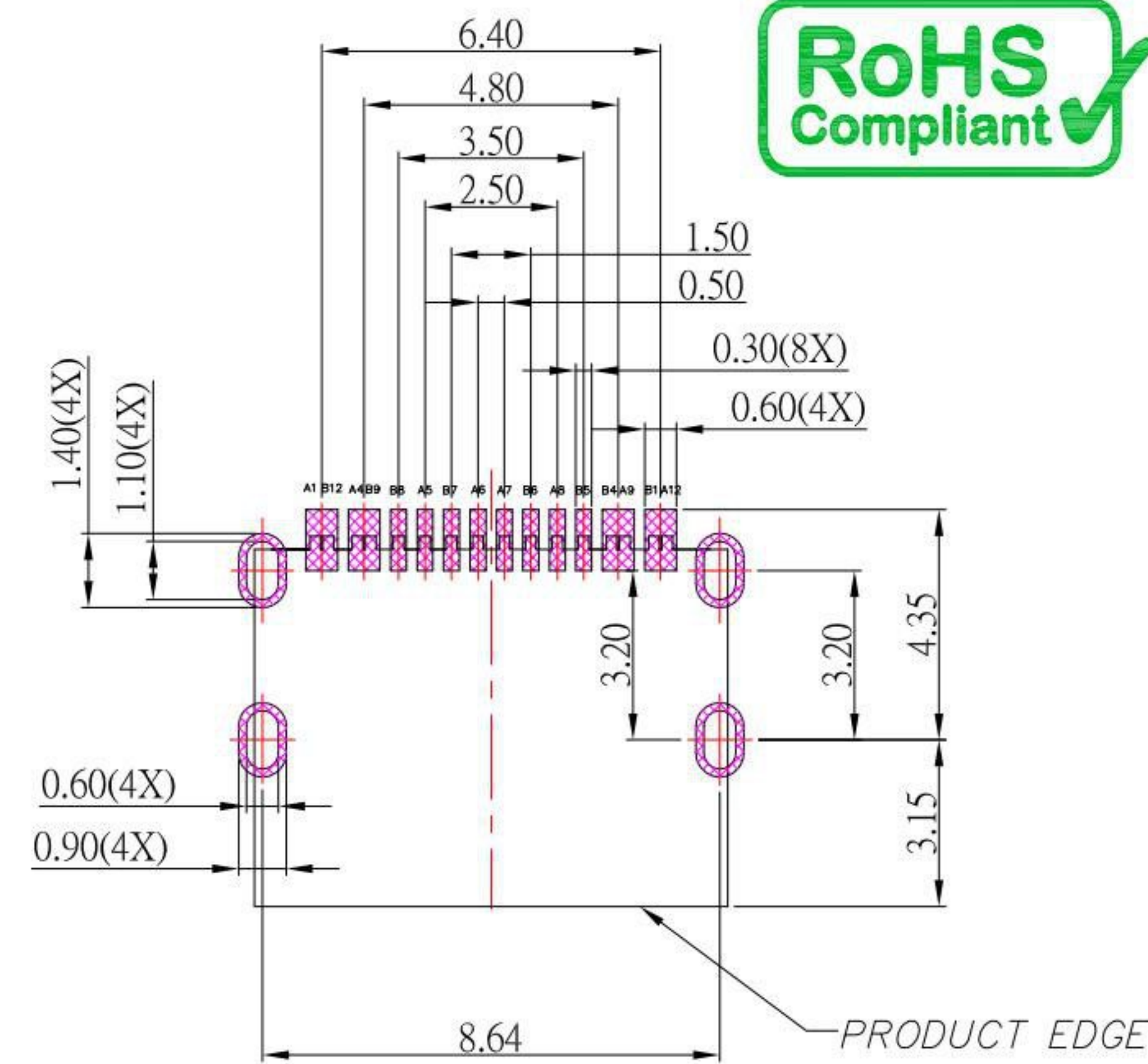
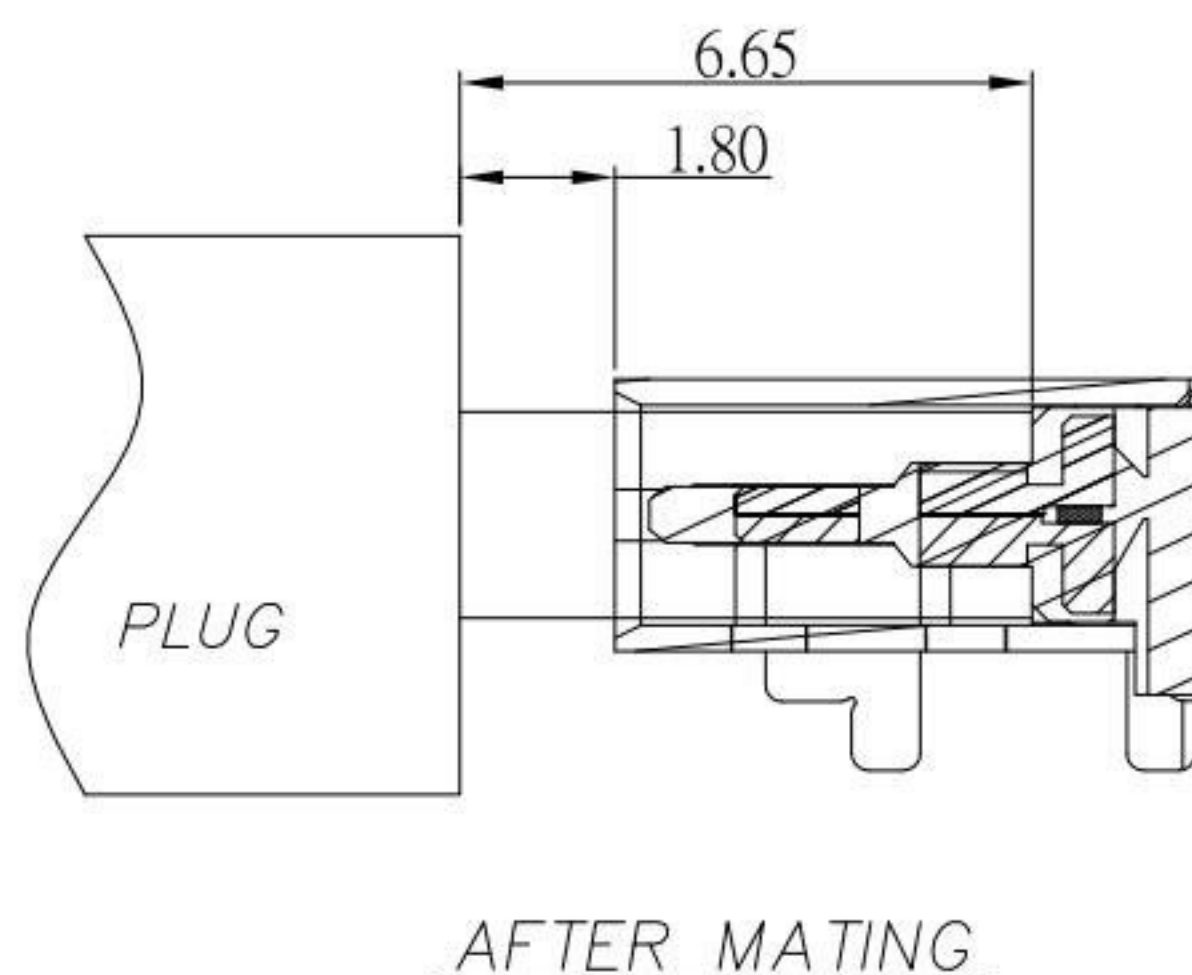
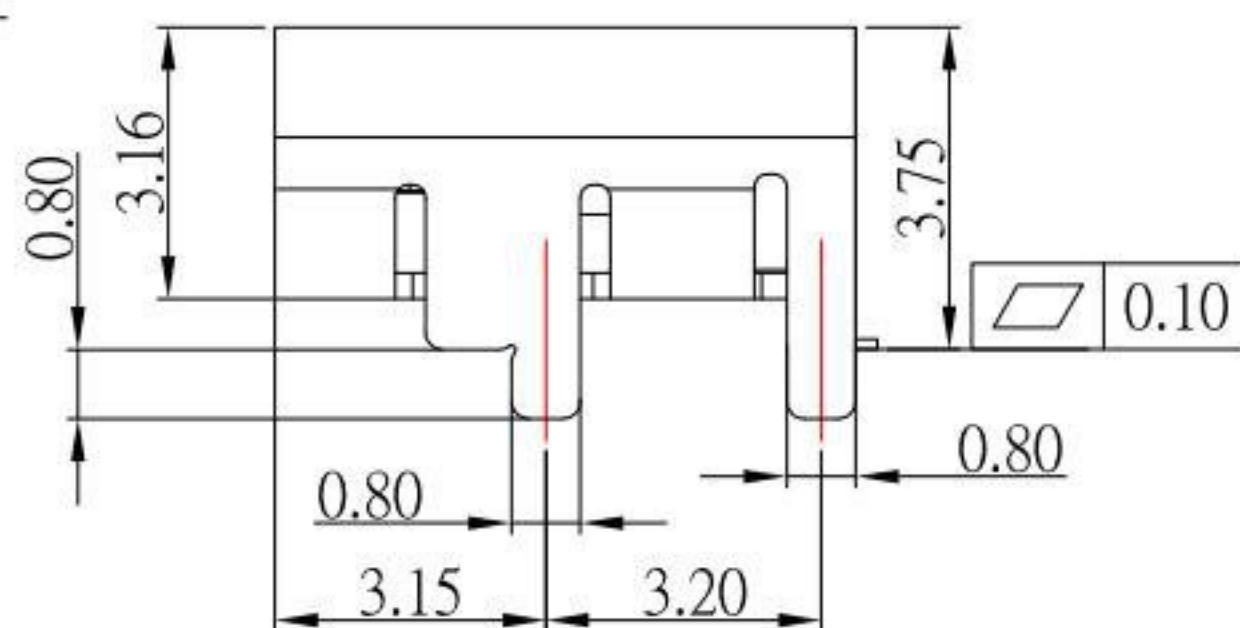
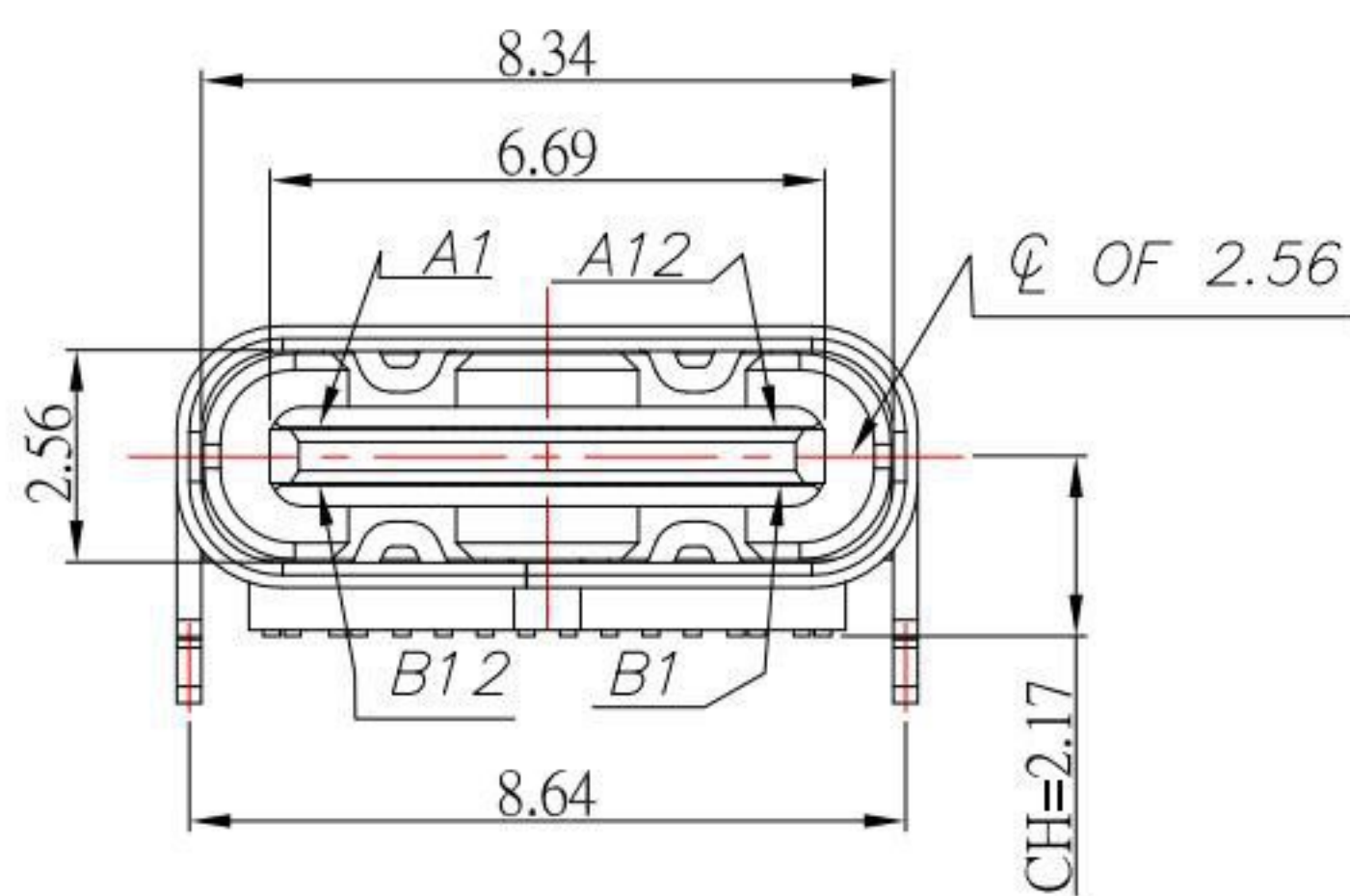
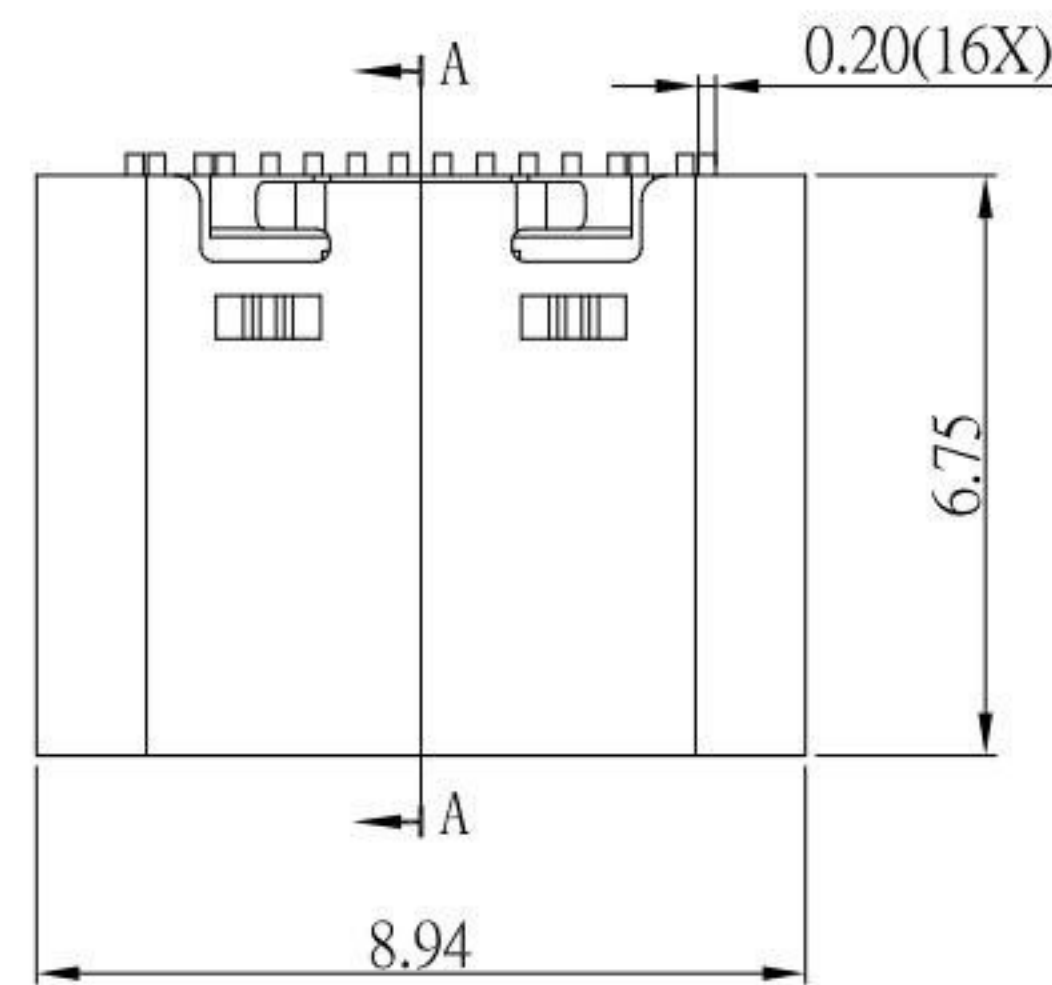




# SBC-160S11H-20x-S331

鍍層厚度:

|             |
|-------------|
| Blank : 1u" |
| 2 : 15u"    |
| 3 : 30u"    |



RECOMMENDED P.C.B. LAYOUT

### SPECIFICATIONS

#### Electrical:

1. Rating: 5.0V , 5.0 A
2. Dielectric Withstand Voltage: 100V AC
3. Contact Resistance: 40 mΩ Max
4. Insulation Resistance: 100 MΩ Min

#### Mechanical:

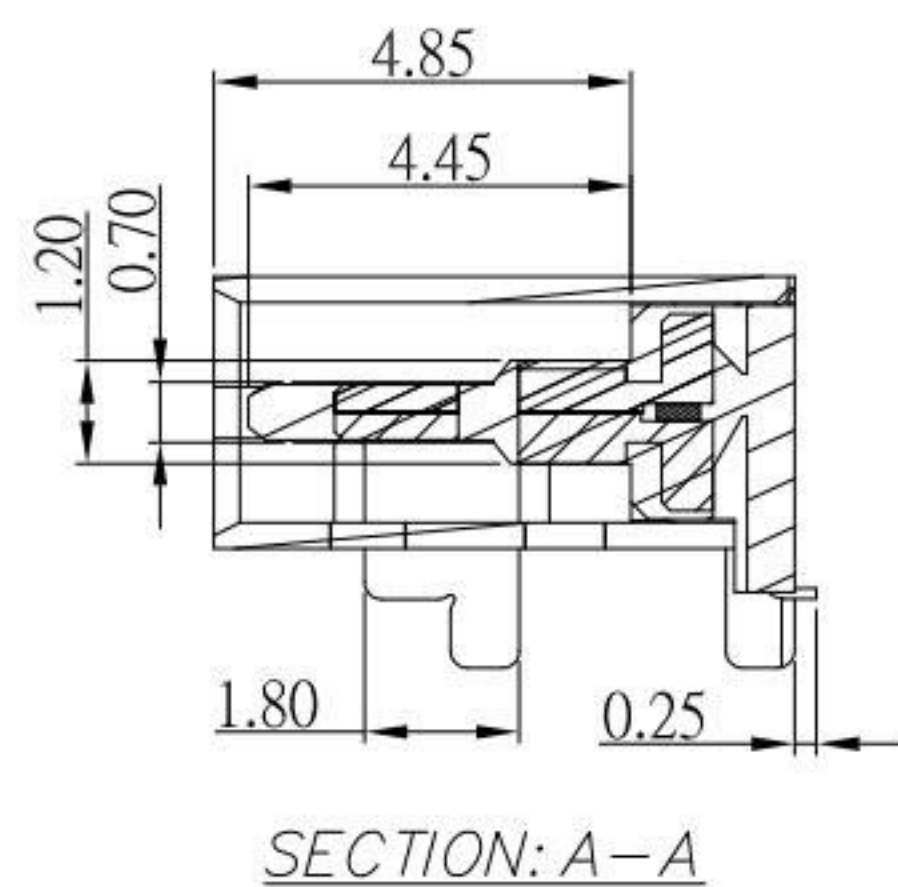
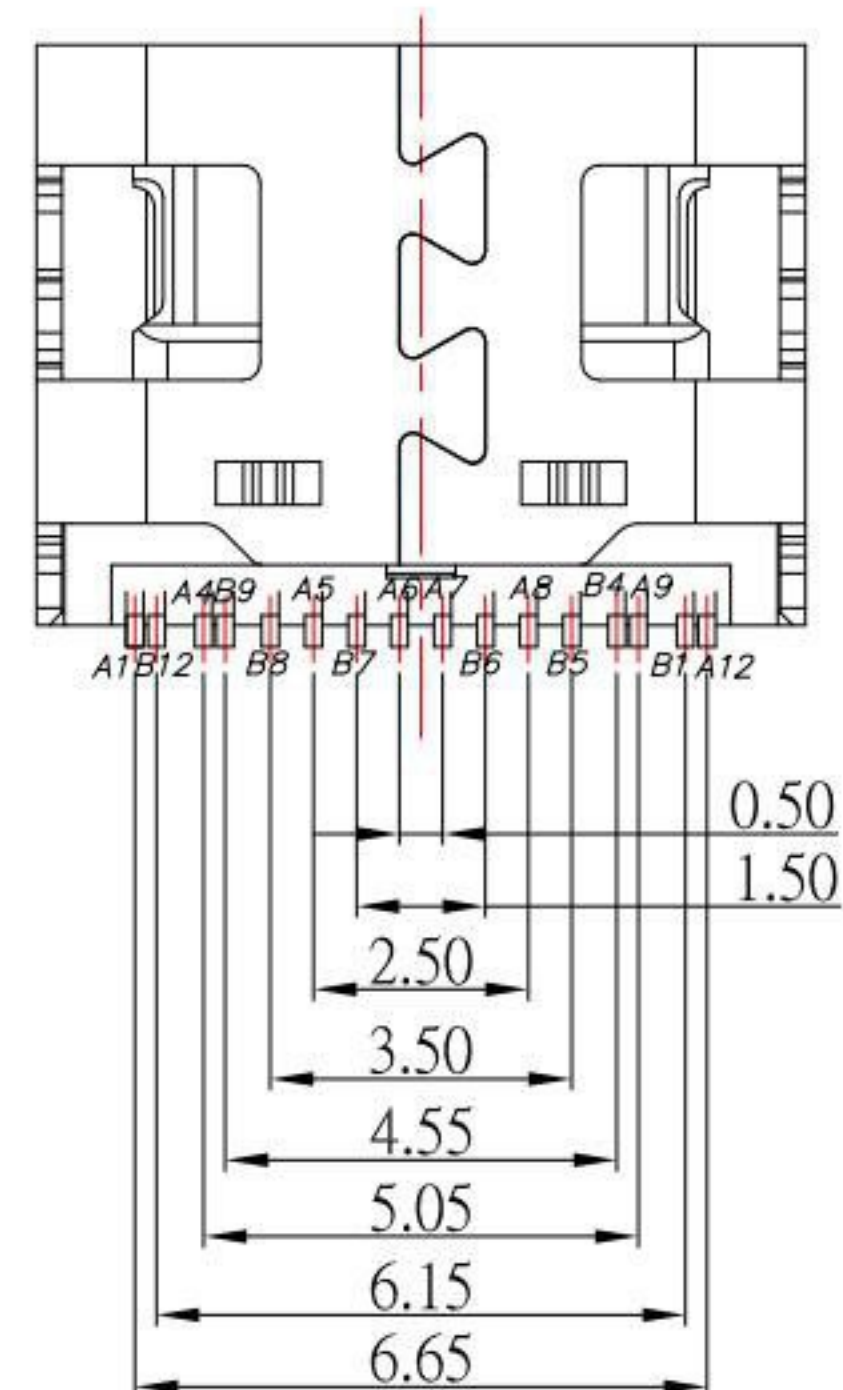
1. Connector Mate and Unmate Force
  - 1.1 Mate force: 5~20 N
  - 1.2 Unmate force: 8~20 N

#### Material:

1. Housing: LCP
2. Contact: C18150
3. Shell: SUS

#### Finish:

1. Contact: Plated Gold in Mating Area ;  
Gold Plated on Solder Balls ;  
Nickel under plated overall
2. Shell: Nickel under Plated surface layer



### USB TYPE-C PIN ASSIGNMENTS

| PIN NUMBER | SIGNAL NAME | PIN NUMBER | SIGNAL NAME |
|------------|-------------|------------|-------------|
| A1         | GND         | B12        | GND         |
| A4         | VBUS        | B9         | VBUS        |
| A5         | CC1         | B8         | SBU2        |
| A6         | Dp1         | B7         | Dn2         |
| A7         | Dn1         | B6         | Dp2         |
| A8         | SBU1        | B5         | CC2         |
| A9         | VBUS        | B4         | VBUS        |
| A12        | GND         | B1         | GND         |

**KSD** 科斯达电子科技有限公司  
 SWITCH CONNECTOR KSD ELECTRONIC TECHNOLOGY Co., LTD  
 全球 互聯零組件製造企業

|                                    |                    |              |       |    |
|------------------------------------|--------------------|--------------|-------|----|
| TOLERANCE UNLESS OTHERWISE STATED: | Up to 5 ±0.2       | 3RD. ANGEL'S | UNITS | MM |
|                                    | Above 5 ~ 15 ±0.3  |              |       |    |
|                                    | Above 15 ~ 30 ±0.4 |              |       |    |
|                                    | Above 30 ~ 50 ±0.5 |              |       |    |
|                                    | Angle ±0.3°        |              |       |    |

|              |          |        |           |  |
|--------------|----------|--------|-----------|--|
| DRAWN BY:    | DATE     | MAT'L  | TITLE     | CONNECTOR                                      |
| Jack Lu      | 03/08/23 |        | MODLE     | USB C TYPE 2.0 Female SMT 16PIN L6.8 H3.75高導電銅 |
| CHECKED BY:  | DATE     | FINISH | DWG NO.   | SBC-160S11H-20x-S331                           |
| Jacky Chen   | 03/08/23 |        | PART NO.  | SBC-160S11H-20x-S331                           |
| APPROVED BY: | DATE     | SCALE  | SHEET NO. | 1 of 1   |
| Tony Kao     | 03/08/23 | 1 : 1  |           |  |

| ITEM NO. | DESCRIPTION | DRAWN | DATE |
|----------|-------------|-------|------|
|          |             |       |      |