



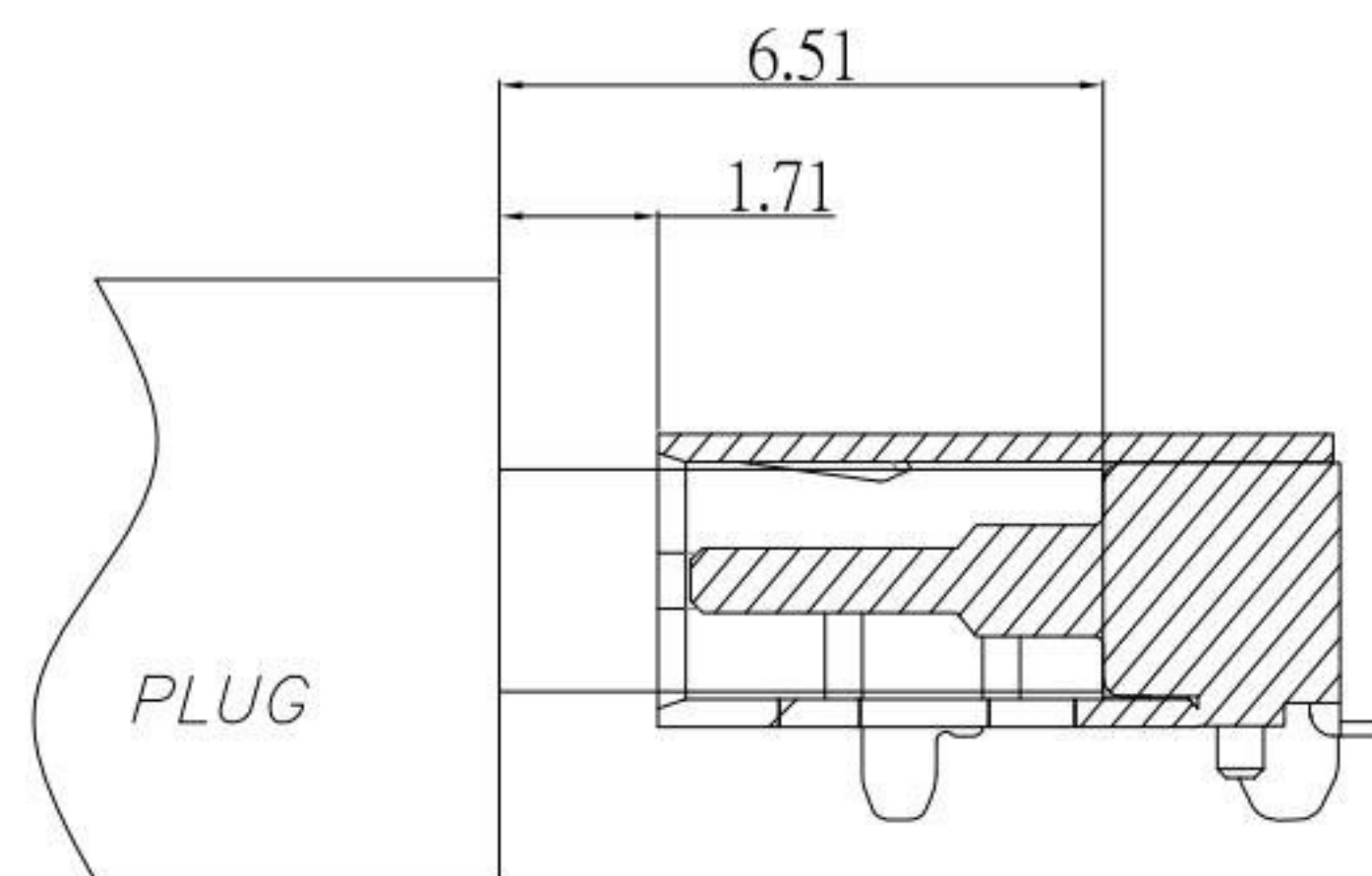
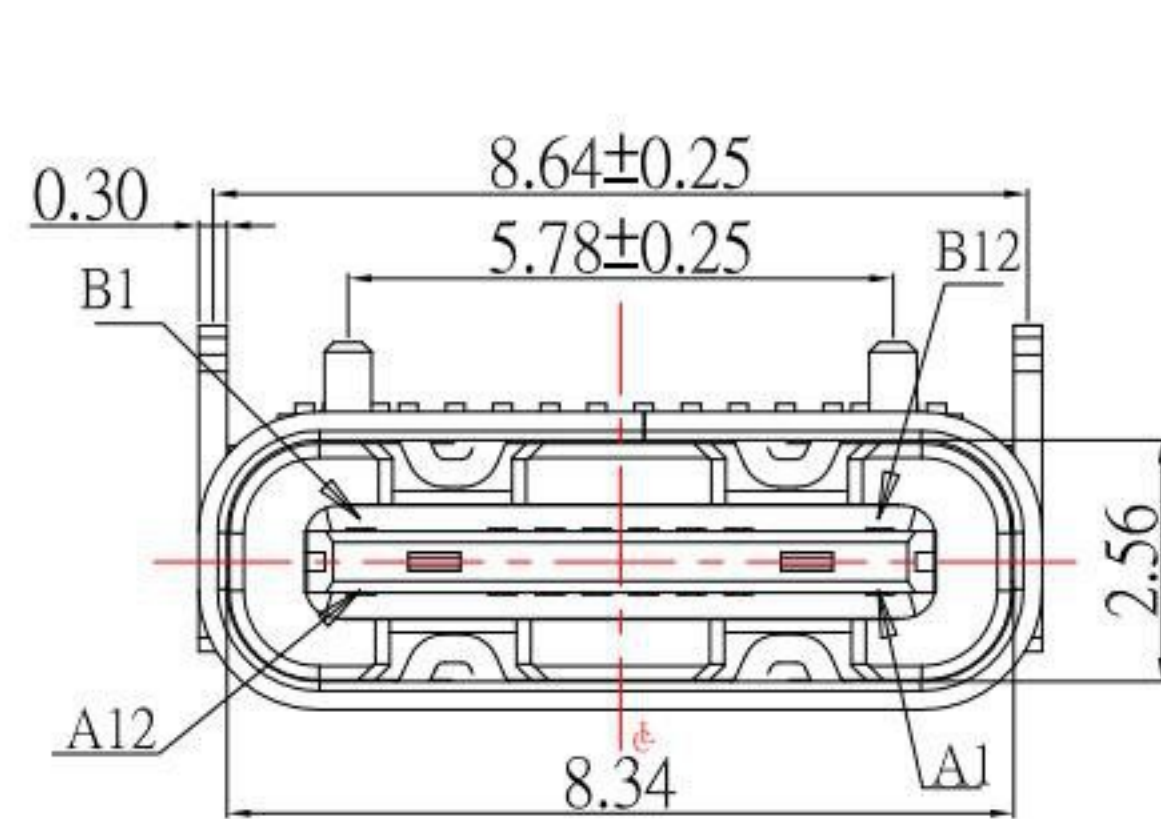
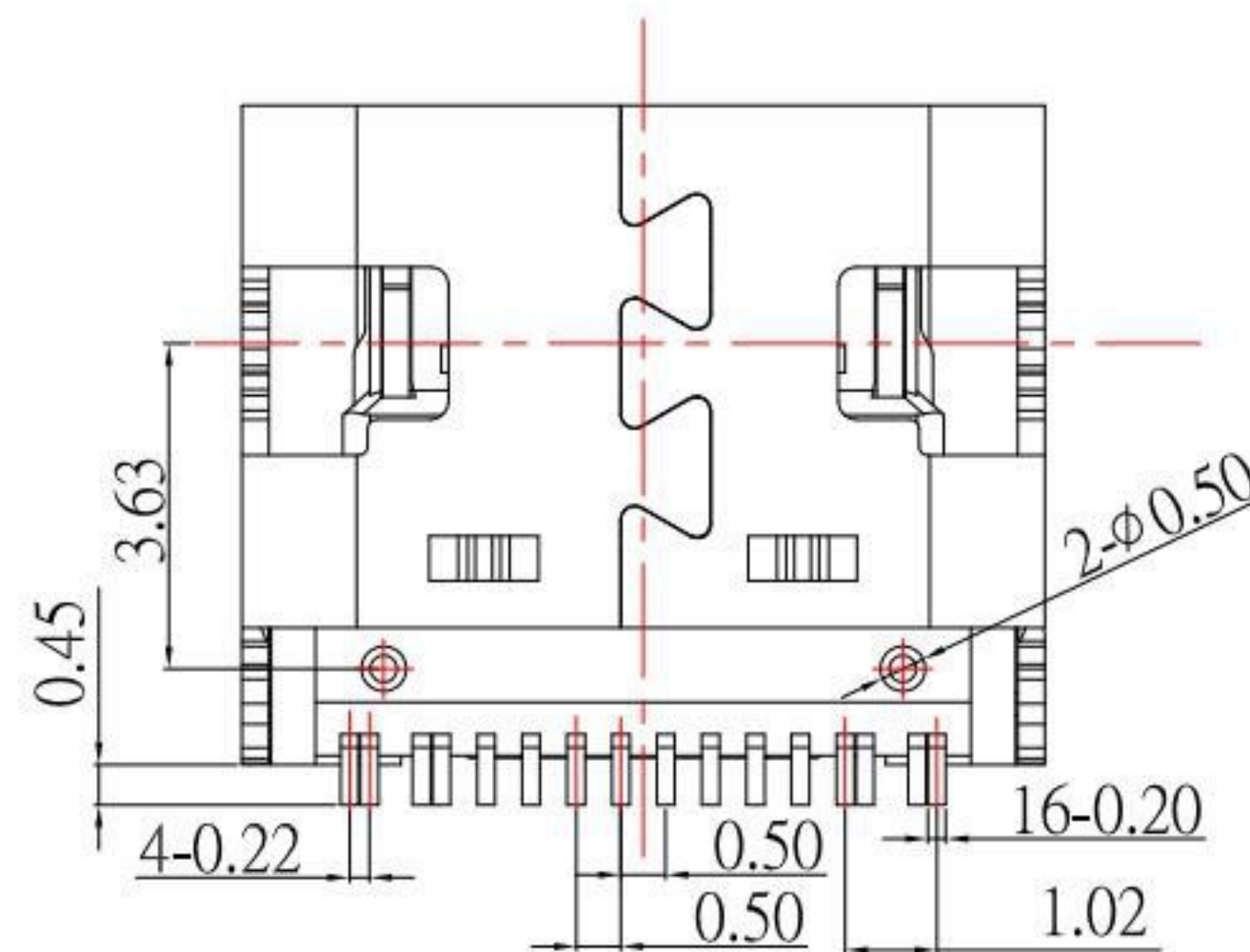
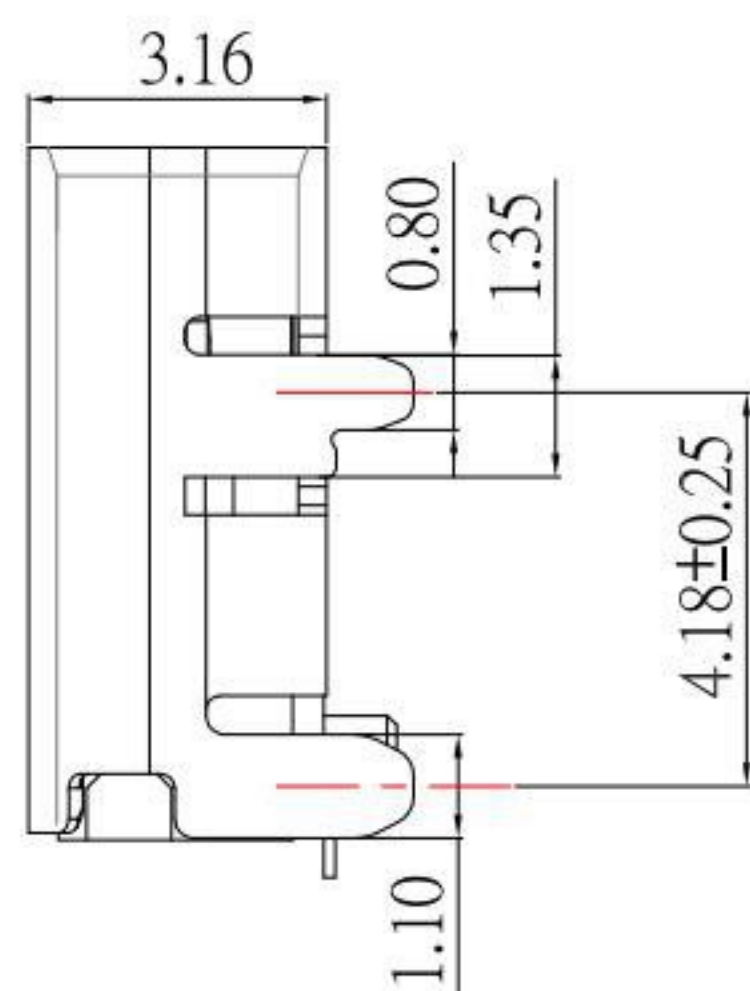
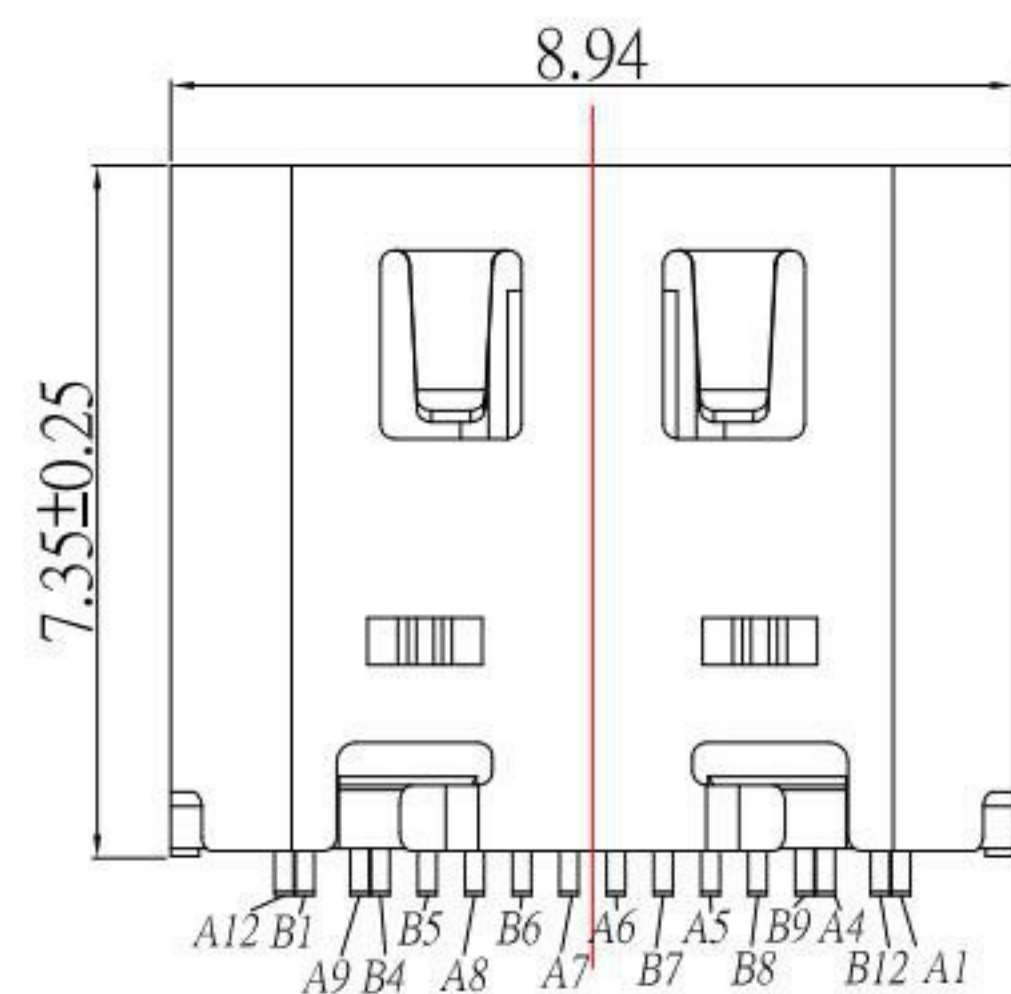
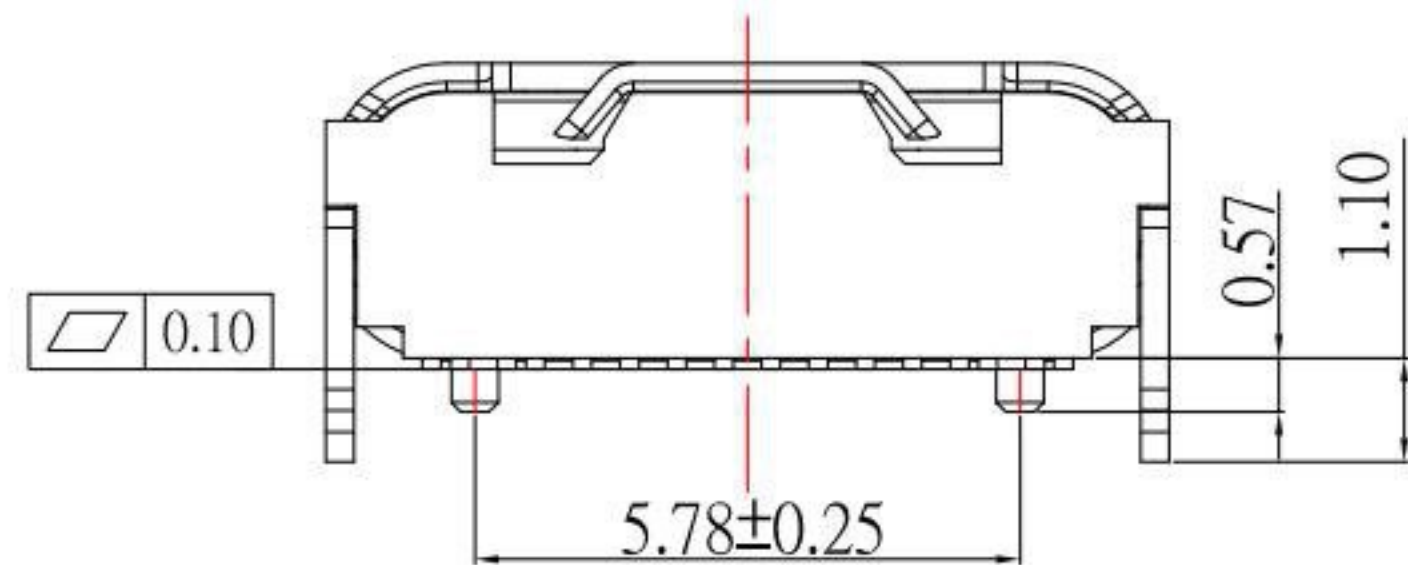
# SBC-160S1B-20xx-S412

鍍層厚度 :

Blank : 1u"
2 : 15u"
3 : 30u"

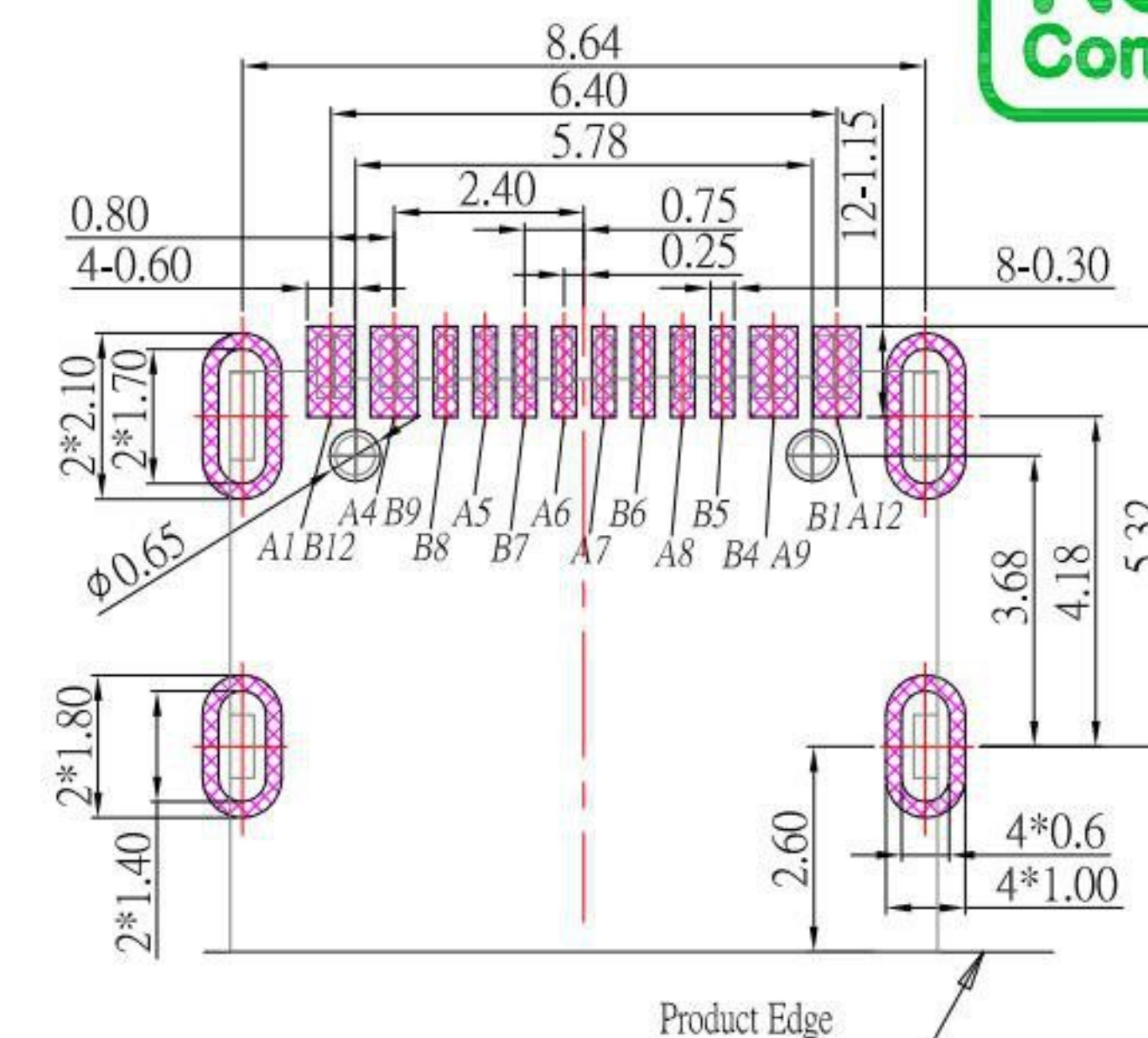
Housing Color :

Black : Blank
White : W



AFTER MATING

PIN	SIGNAL NAME	PIN	SIGNAL NAME
A1	GND	B12	GND
A4	VBUS	B9	VBUS
A5	CC1	B8	SBU2
A6	D+	B7	D-
A7	D-	B6	D+
A8	SBU1	B5	CC2
A9	VBUS	B4	VBUS
A12	GND	B1	GND



RECOMMENDED P.C.B. LAYOUT

## SPECIFICATIONS

### Electrical:

1. Rating: 3.0A
2. Dielectric Withstand Voltage: 100V AC
3. Contact Resistance: 40 mΩ Max
4. Insulation Resistance: 100 MΩ Min

### Material:

1. Housing: LCP
2. Contact: C7025
3. Shell: SUS

### Finish:

1. Contact: Plated Gold in Mating Area ;  
Gold Plated on Solder Balls ;  
Nickel under plated overall
2. Shell: Nickel under Plated surface layer

ITEM NO.	DESCRIPTION	DRAWN	DATE
10	更新圖面	Jack	090722
9	更新圖面	Jack	110921
8	更新材質	Jack	083121
7	更新圖面	Jack	072321
6	更新尺寸	Jack	051721
5	新增AFTER MATING圖示	Jack	042221
4	新增Housing Color 選項	Jack	031021
3	更新樣式	Jack	101920
2	更新尺寸	Jack	052020
1	更新樣式	Jack	100119

11 更新尺寸 Jack 033023

**KSD** 科斯达电子科技有限公司  
SWITCH CONNECTOR KSD ELECTRONIC TECHNOLOGY Co., LTD  
全球 互聯零組件製造企業

TOLERANCE UNLESS OTHERWISE STATED :	Up to 5 ±0.2	3RD. ANGEL'S	UNITS	MM
	Above 5 ~ 15 ±0.3			
	Above 15 ~ 30 ±0.4			
	Above 30 ~ 50 ±0.5			
	Angle ±0.3°			

DRAWN BY:	DATE	MAT'L	TITLE	CONNECTOR
Jack Lu	03/30/23		MODLE	USB TYPE C 2.0 板上型帶彈片
CHECKED BY:	DATE	FINISH	DWG NO.	SHEET NO.
Jacky Chen	03/30/23		SBC-160S1B-20xx-S412	1 of 1
APPROVED BY:	DATE	SCALE	PART NO.	SIZE
Tony Kao	03/30/23	1 : 1	SBC-160S1B-20xx-S412	A4
				VER
				R11