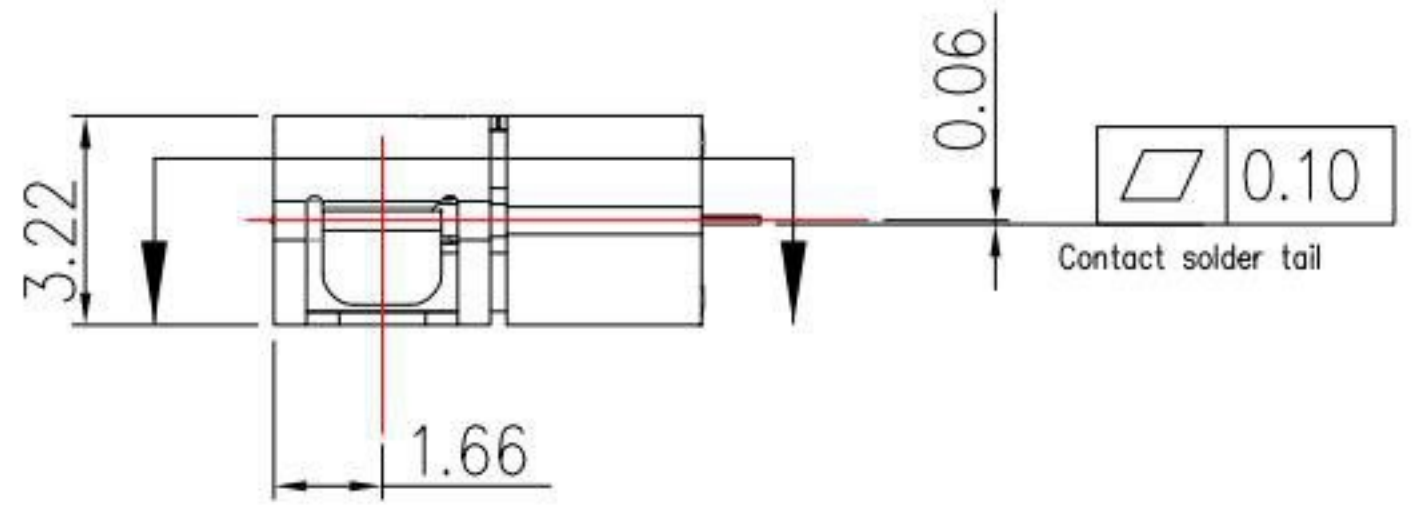
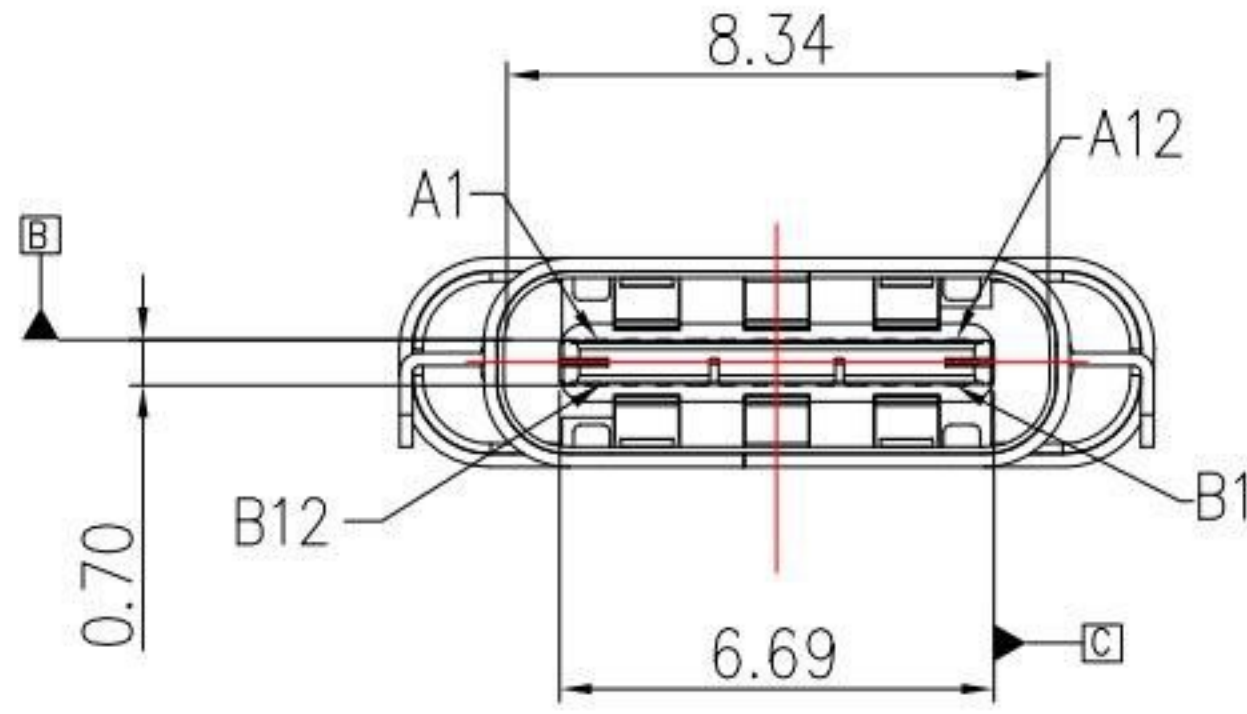
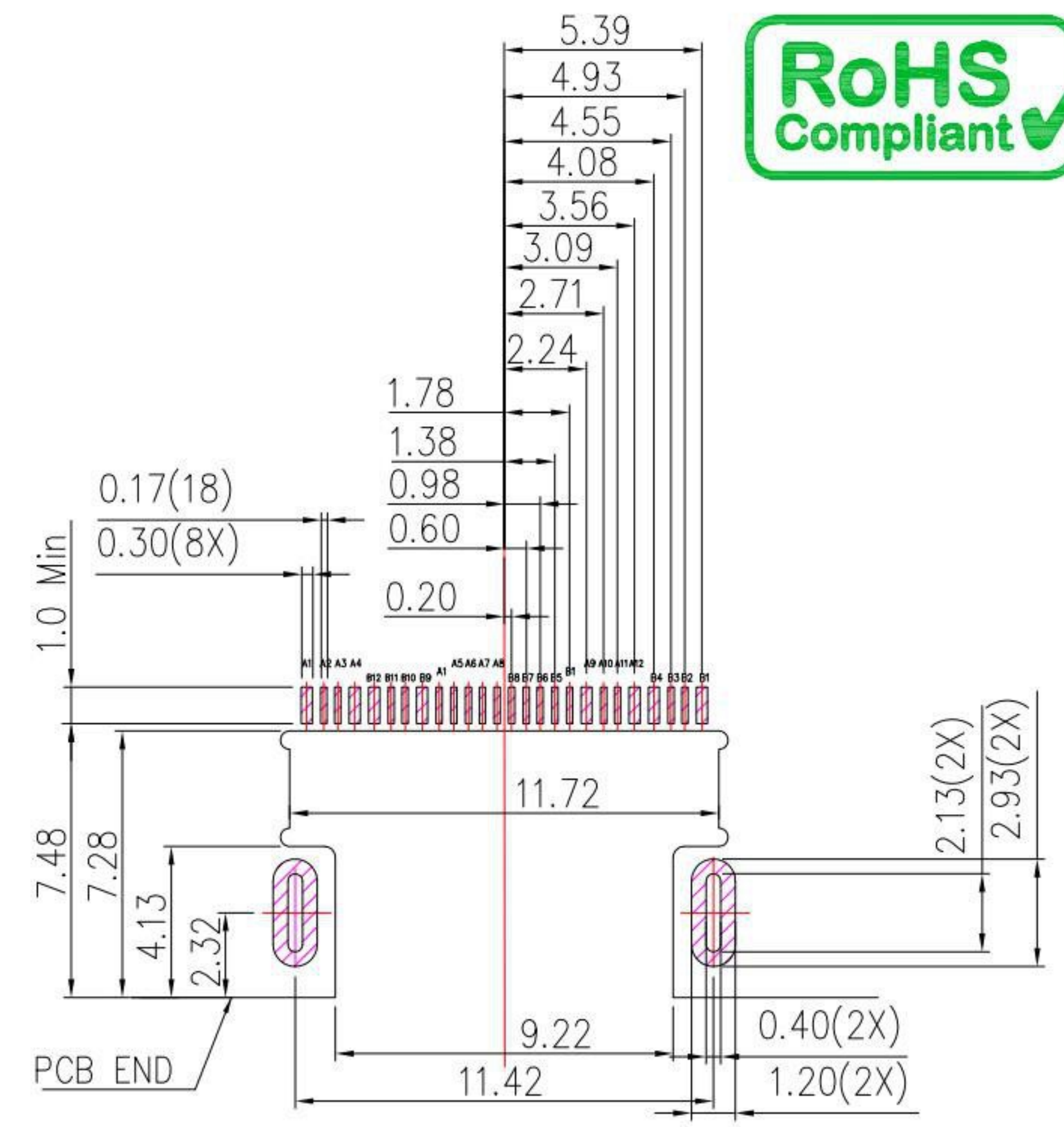
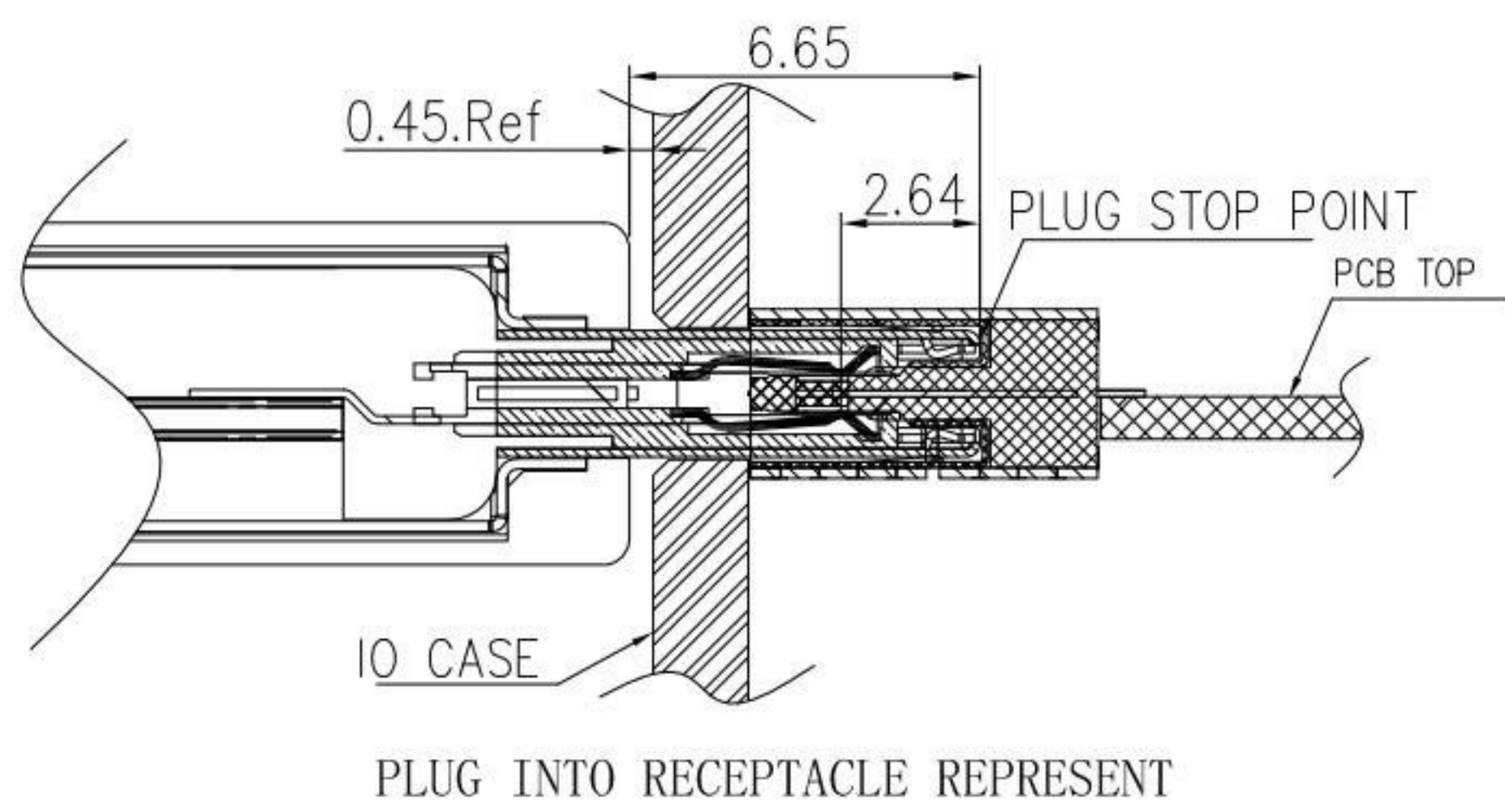
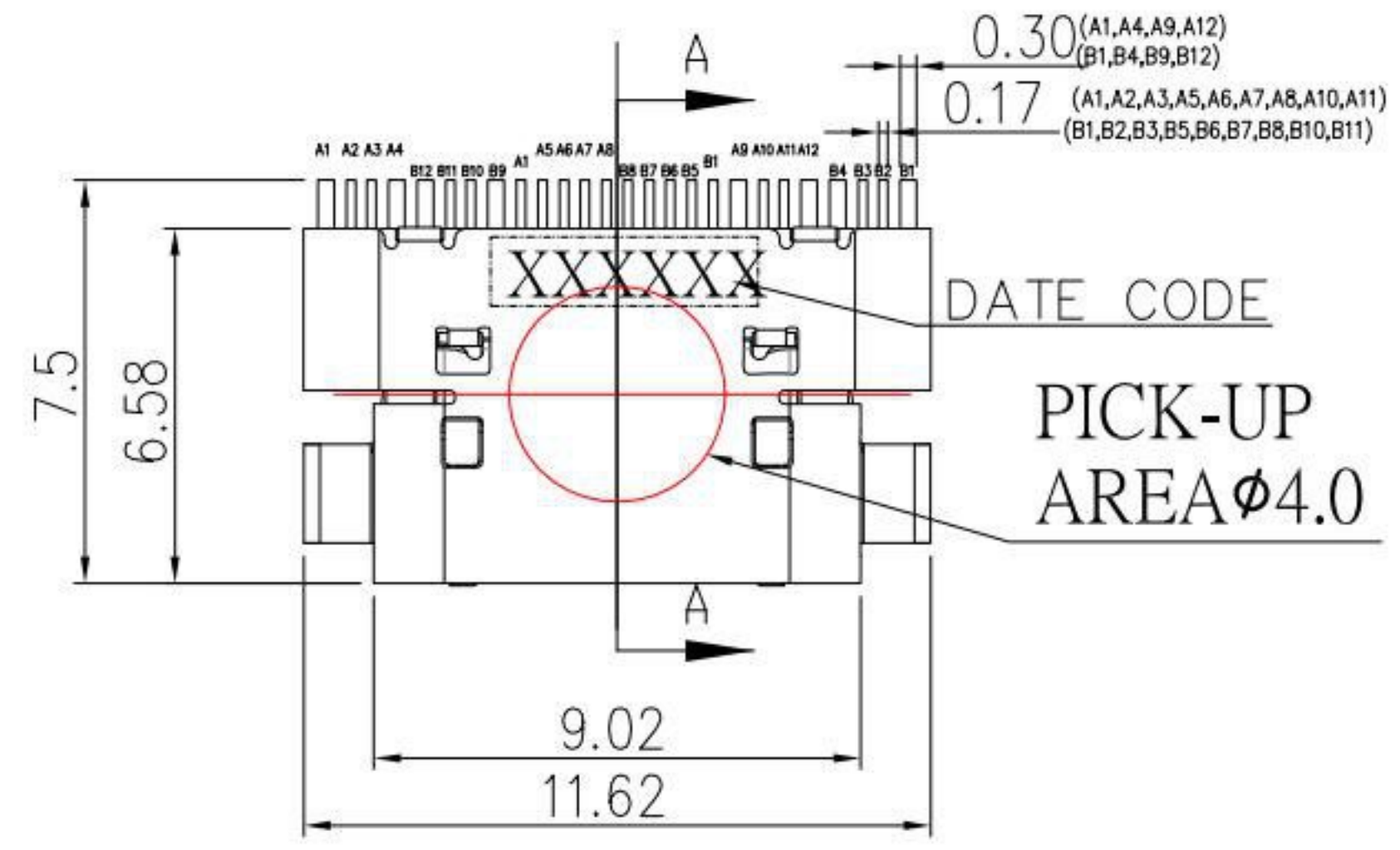


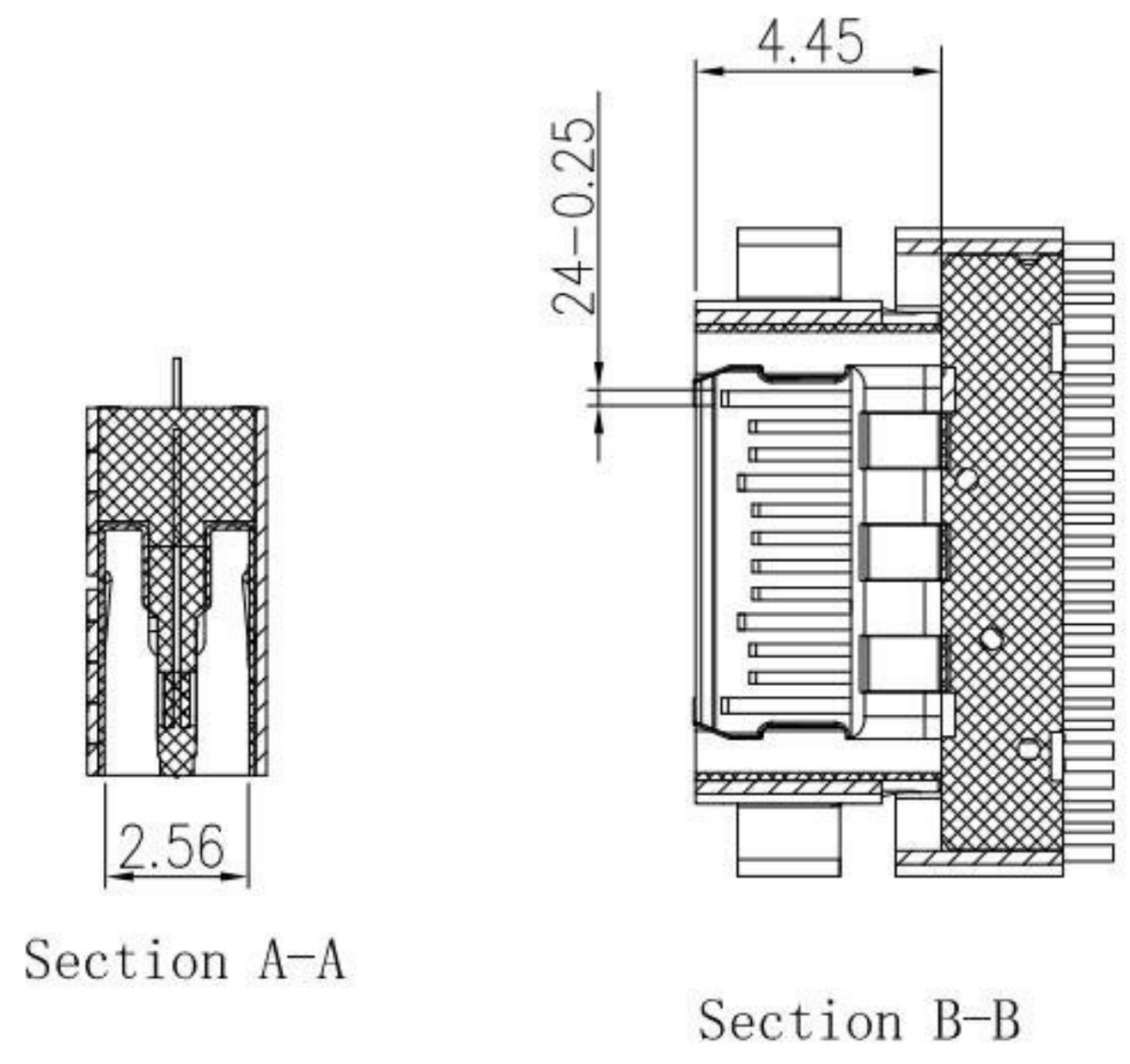
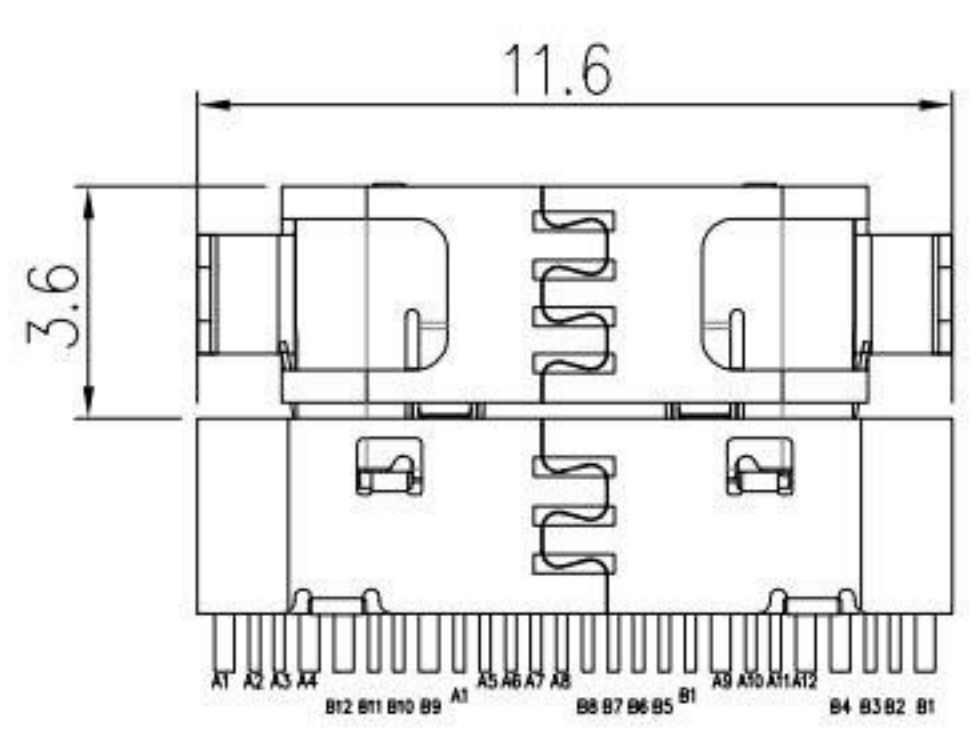
SBC-240M18-32x-S338



鍍層厚度:
 Blank : 1u"
 2 : 15u"
 3 : 30u"



PIN ASSIGNMENT	
Pin Number	Signal Name
A1	GND
A2	SS TX1+
A3	SS TX1-
A4	VBUS
A5	CC1
A6	D+
A7	D-
A8	SBU1
A9	VBUS
A10	SS RX2-
A11	SS RX2+
A12	GND
B12	GND
B11	SS RX1+
B10	SS RX1-
B9	VBUS
B8	SBU2
B7	D-
B6	D+
B5	CC2
B4	VBUS
B3	SS TX2-
B2	SS TX2+
B1	GND



SPECIFICATIONS

Electrical:

1. Rating: 1.25 A
2. Dielectric Withstand Voltage: 100V AC
3. Contact Resistance: 40 mΩ Max
4. Insulation Resistance: 100 MΩ Min

Mechanical:

1. Connector Mate and Unmate Force
 - 1.1 Mate force: 5~20 N
 - 1.2 Unmate force: 8~20 N

Material:

1. Housing: LCP
2. Contact: C7025
3. Shell: SUS

Finish:

1. Contact: Plated Gold in Mating Area ;
Gold Plated on Solder Balls ;
Nickel under plated overall
2. Shell: Nickel under Plated surface layer

KSD 科斯达电子科技有限公司
 SWITCH CONNECTOR KSD ELECTRONIC TECHNOLOGY Co., LTD
 全球 互聯零組件製造企業

TOLERANCE UNLESS OTHERWISE STATED:
 Up to 5 ±0.2
 Above 5 ~ 15 ±0.3
 Above 15 ~ 30 ±0.4
 Above 30 ~ 50 ±0.5
 Angle ±0.3°

3RD. ANGEL'S

UNITS MM

DRAWN BY:	DATE	MAT'L	TITLE	CONNECTOR	
Jack Lu	09/22/21			TYPE CF 單排 SMT 沉板 板上1.67 腳距11.42 GEN 2	
CHECKED BY:	DATE	FINISH	MODLE	SBC-240M18-32x-S338	
Jacky Chen	09/22/21	SCALE	1 : 1	DWG NO.	SBC-240M18-32x-S338
APPROVED BY:	DATE	SHEET NO.	1 of 1	PART NO.	SBC-240M18-32x-S338
Tony Kao	09/22/21				

ITEM NO.	DESCRIPTION	DRAWN	DATE