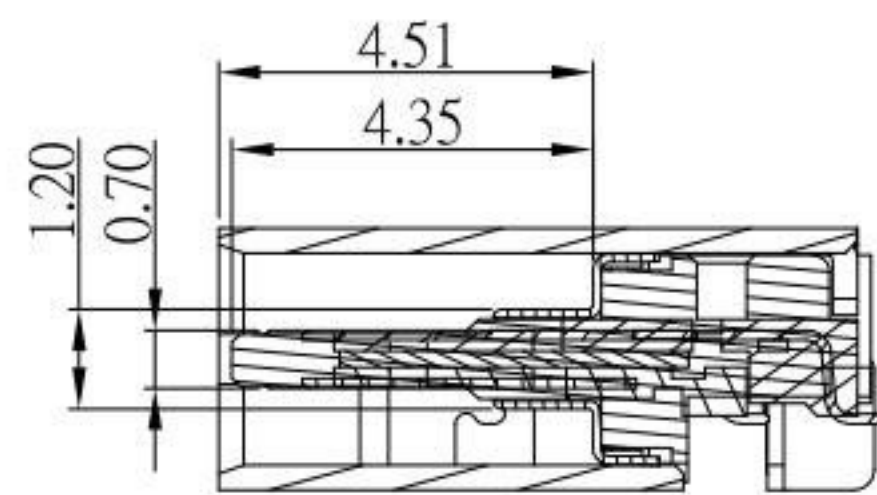
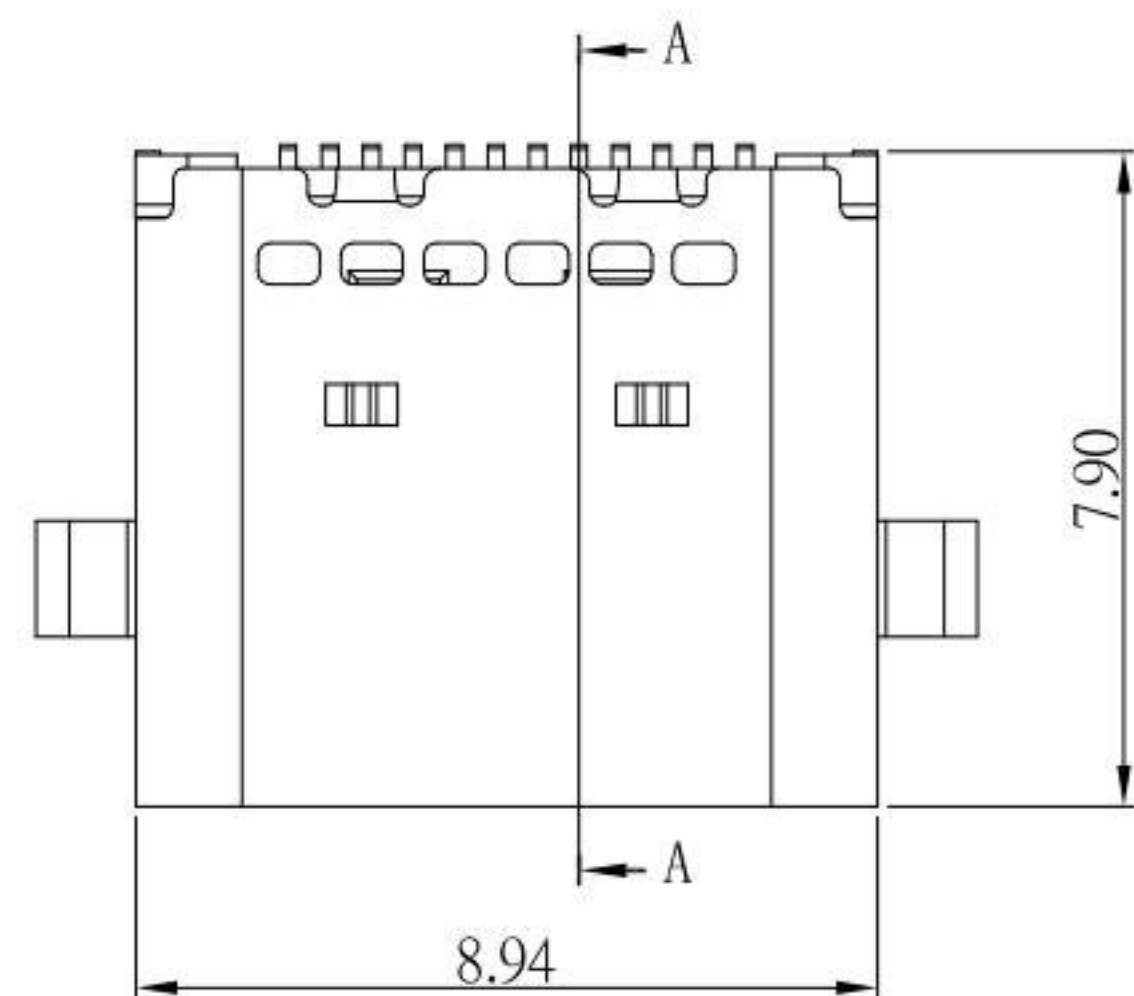




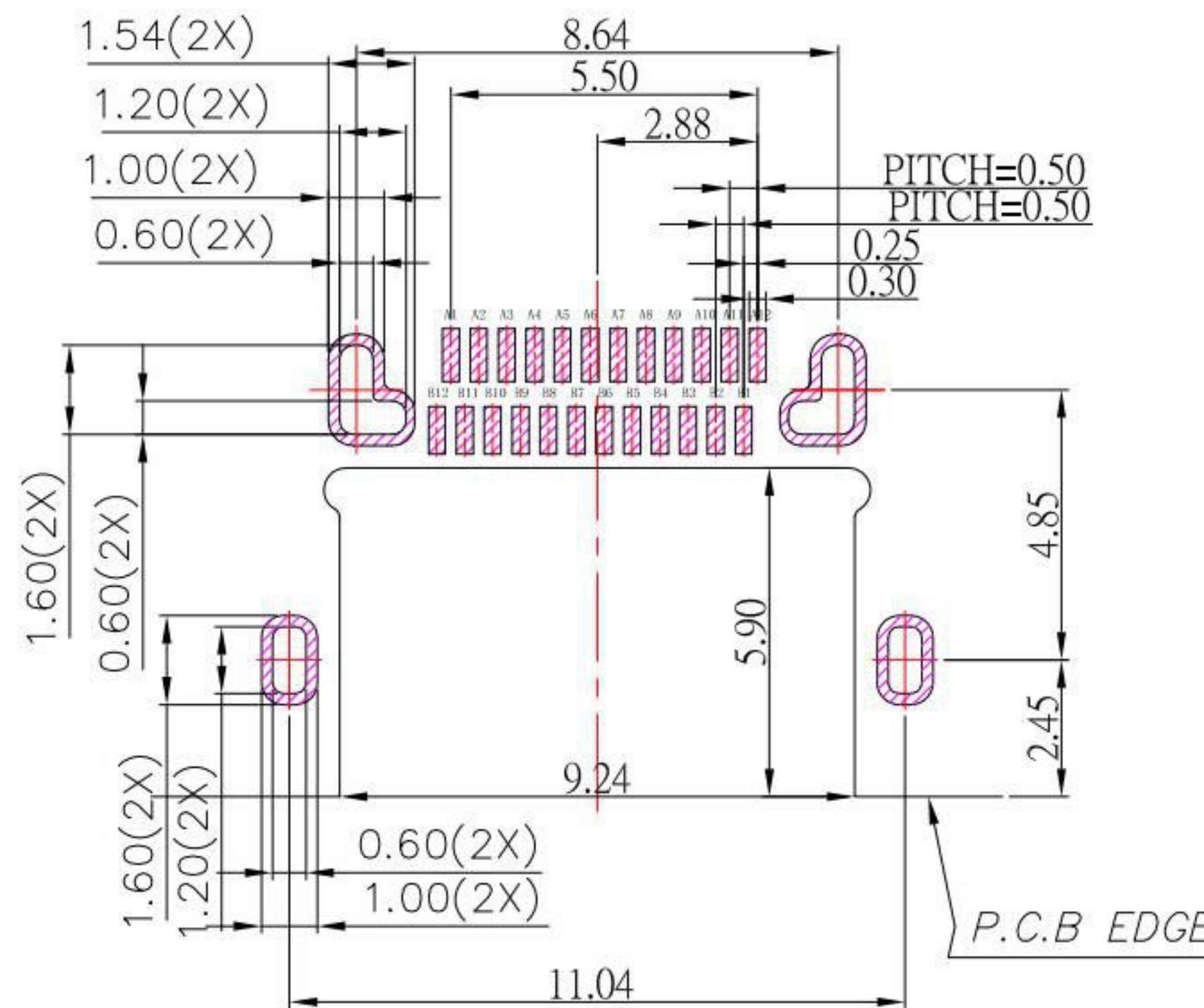
SBC-240M9-31x-S412

鍍層厚度:

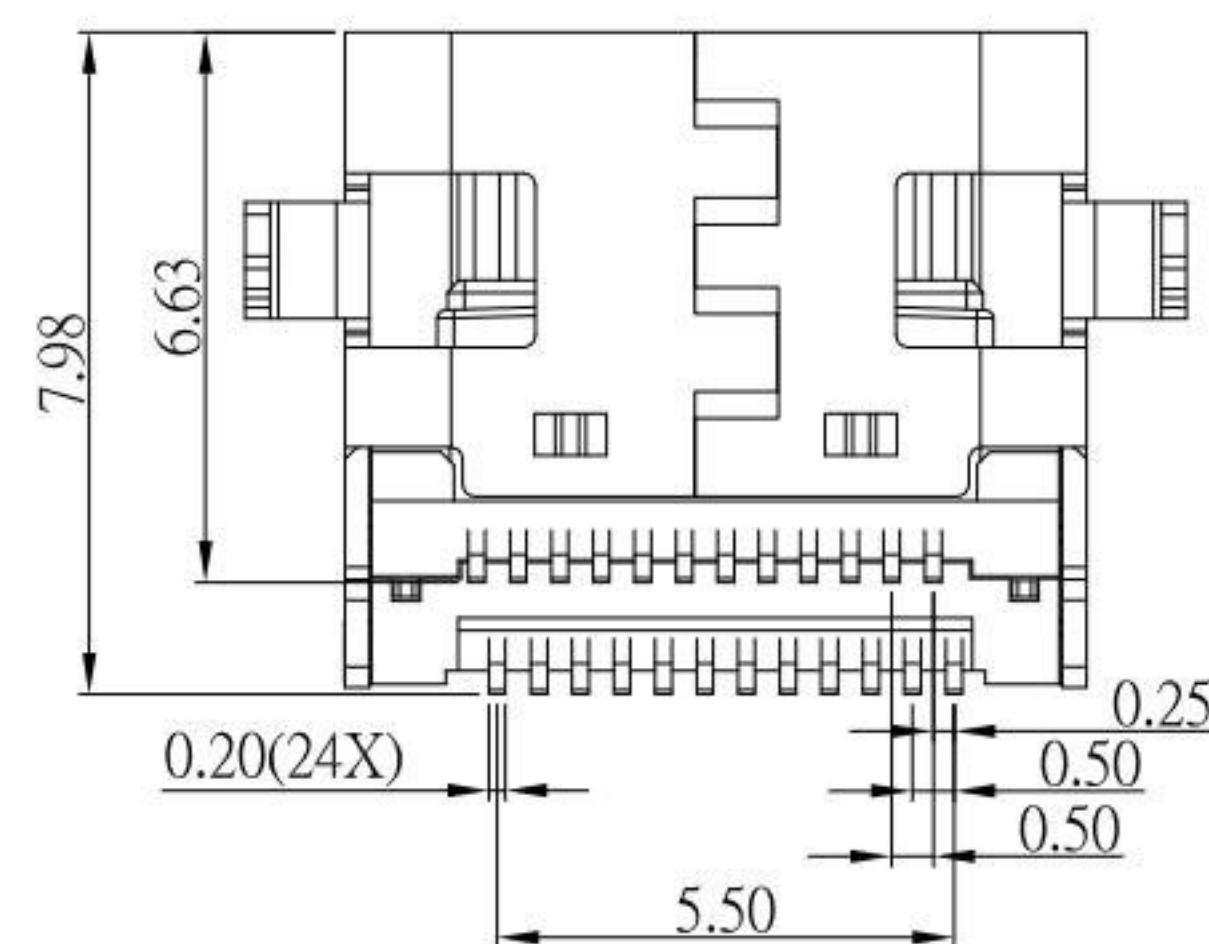
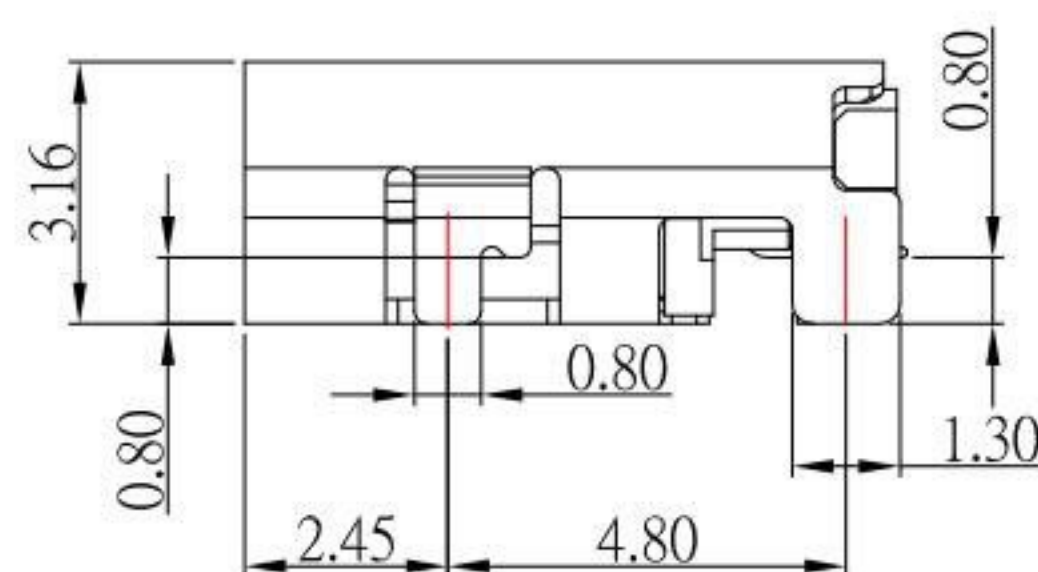
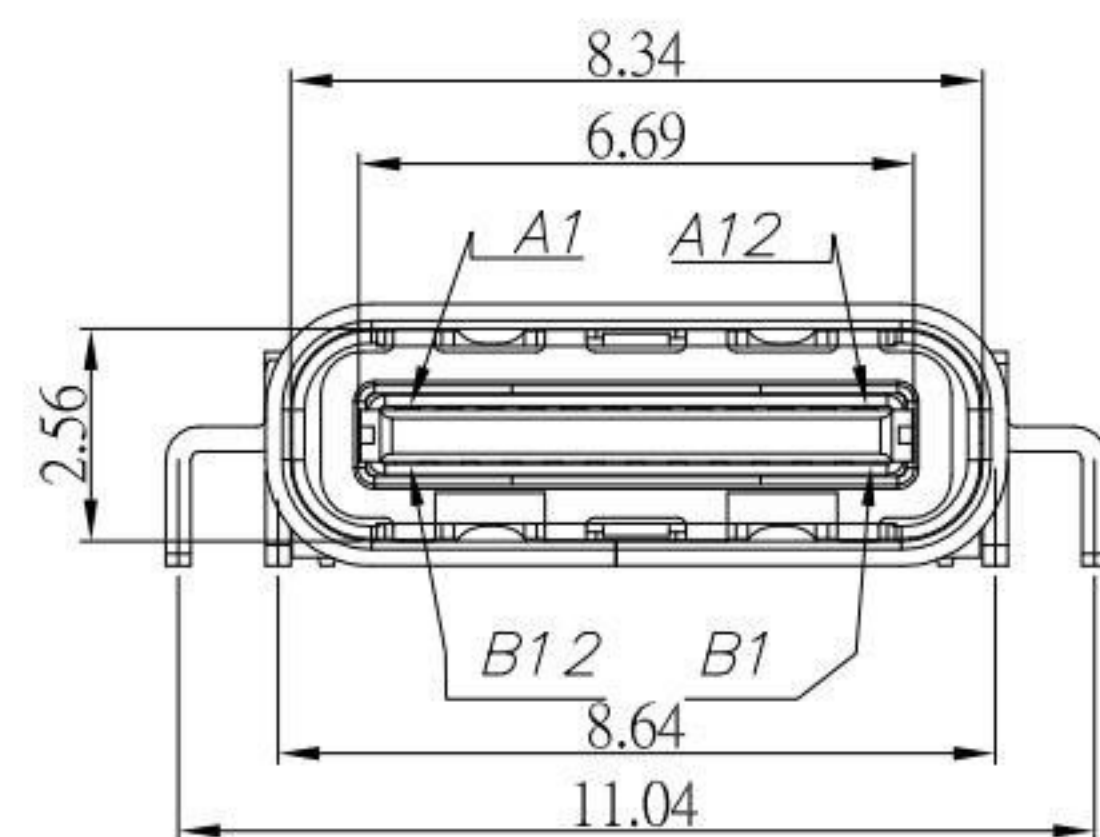
Blank : 1u"
2 : 15u"
3 : 30u"



截面A-A



RECOMMENDED P.C.B. LAYOUT



SPECIFICATIONS

Electrical:

1. Rating: 5.0V , 5.0 A
2. Dielectric Withstand Voltage: 100V AC
3. Contact Resistance: 40 mΩ Max
4. Insulation Resistance: 100 MΩ Min

Mechanical:

1. Connector Mate and Unmate Force
 - 1.1 Mate force: 5~20 N
 - 1.2 Unmate force: 8~20 N

Material:

1. Housing: LCP
2. Contact: C18400
3. Shell: SUS

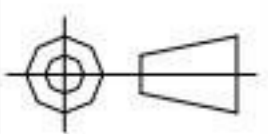
Finish:

1. Contact: Plated Gold in Mating Area ;
Gold Plated on Solder Balls ;
Nickel under plated overall
2. Shell: Nickel under Plated surface layer

KSD 科斯达电子科技有限公司
SWITCH CONNECTOR KSD ELECTRONIC TECHNOLOGY Co., LTD
全球 互聯零組件製造企業

TOLERANCE UNLESS OTHERWISE STATED:
Up to 5 ±0.2
Above 5 ~ 15 ±0.3
Above 15 ~ 30 ±0.4
Above 30 ~ 50 ±0.5
Angle ±0.3°

3RD. ANGEL'S



UNITS MM

DRAWN BY: Jack Lu
DATE: 03/14/23
CHECKED BY: Jacky Chen
DATE: 03/14/23
APPROVED BY: Tony Kao
DATE: 03/14/23

MAT'L		TITLE	CONNECTOR
FINISH		MODLE	USB 3.1 TYPE C 母座沉板, 板上 H2.36mm
SCALE	1 : 1	DWG NO.	SBC-240M9-31x-S412
SHEET NO.	1 of 1	PART NO.	SBC-240M9-31x-S412
		SIZE	A4
		VER	R1

1	更新材質和SPEC	Jack	031423
ITEM NO.	DESCRIPTION	DRAWN	DATE