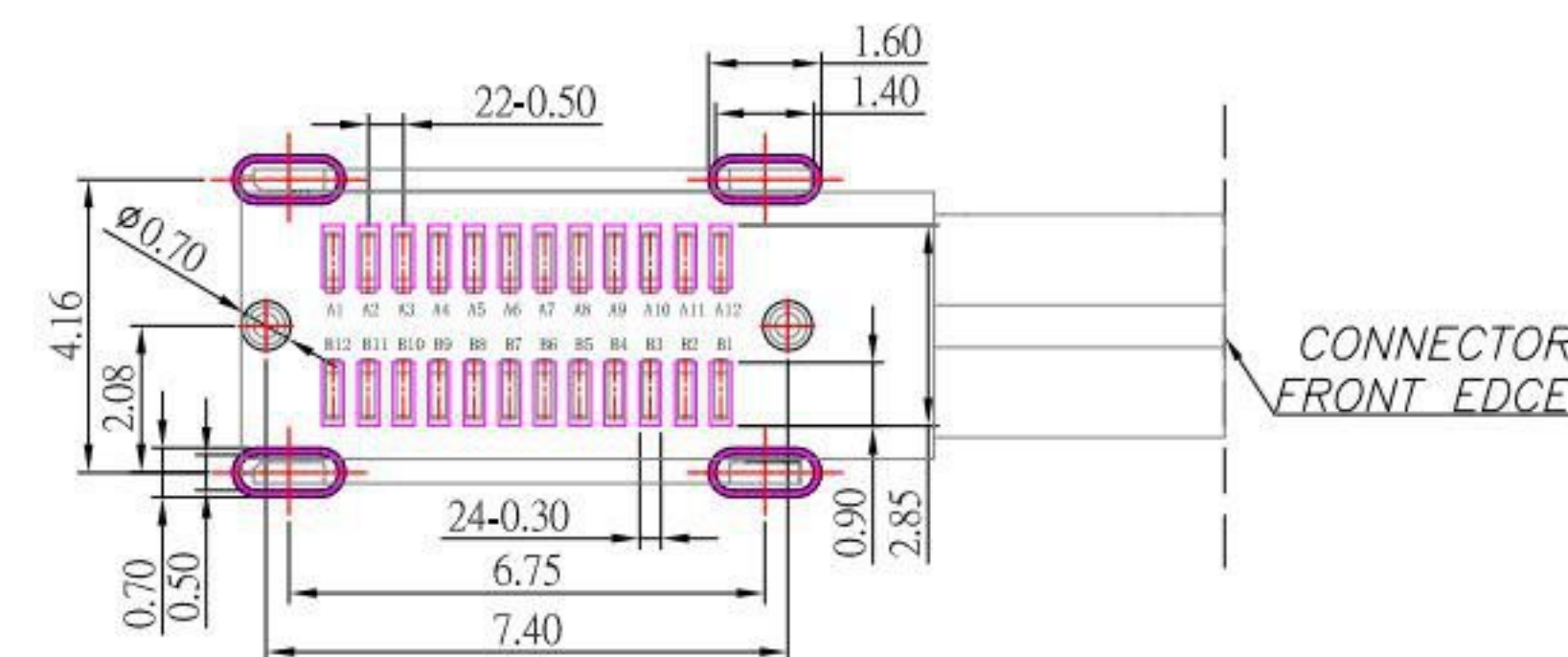
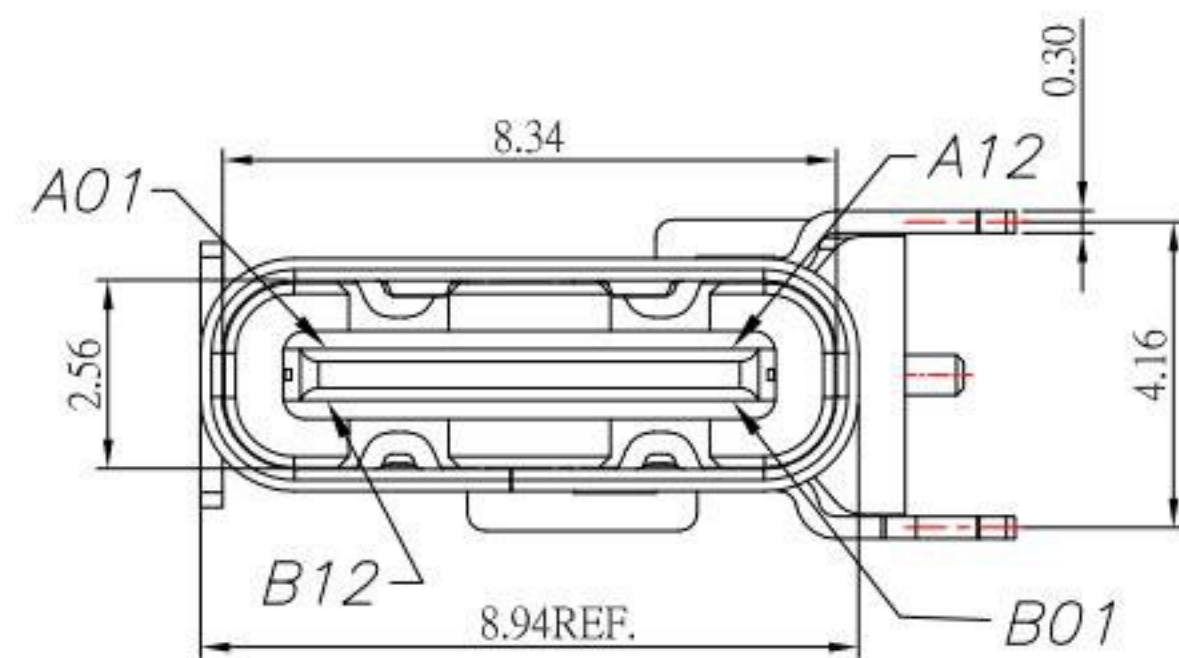
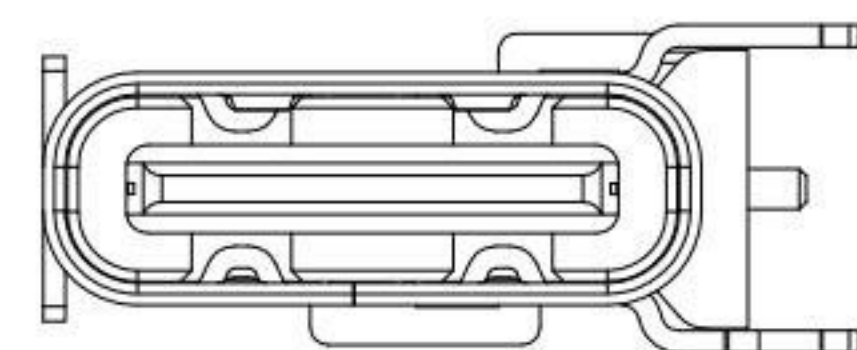




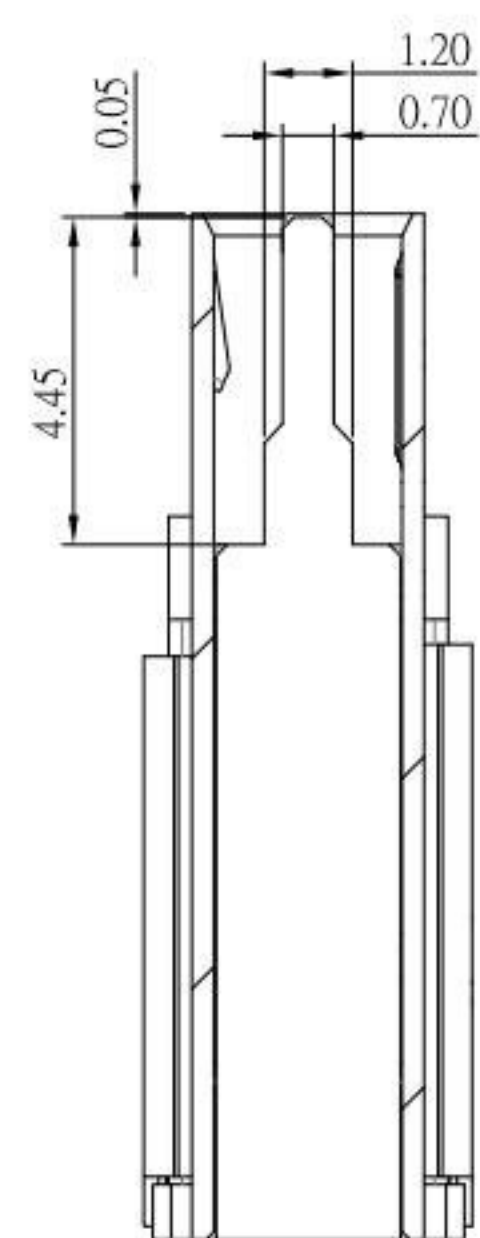
SBC-240P3-31x-S412

鍍層厚度:

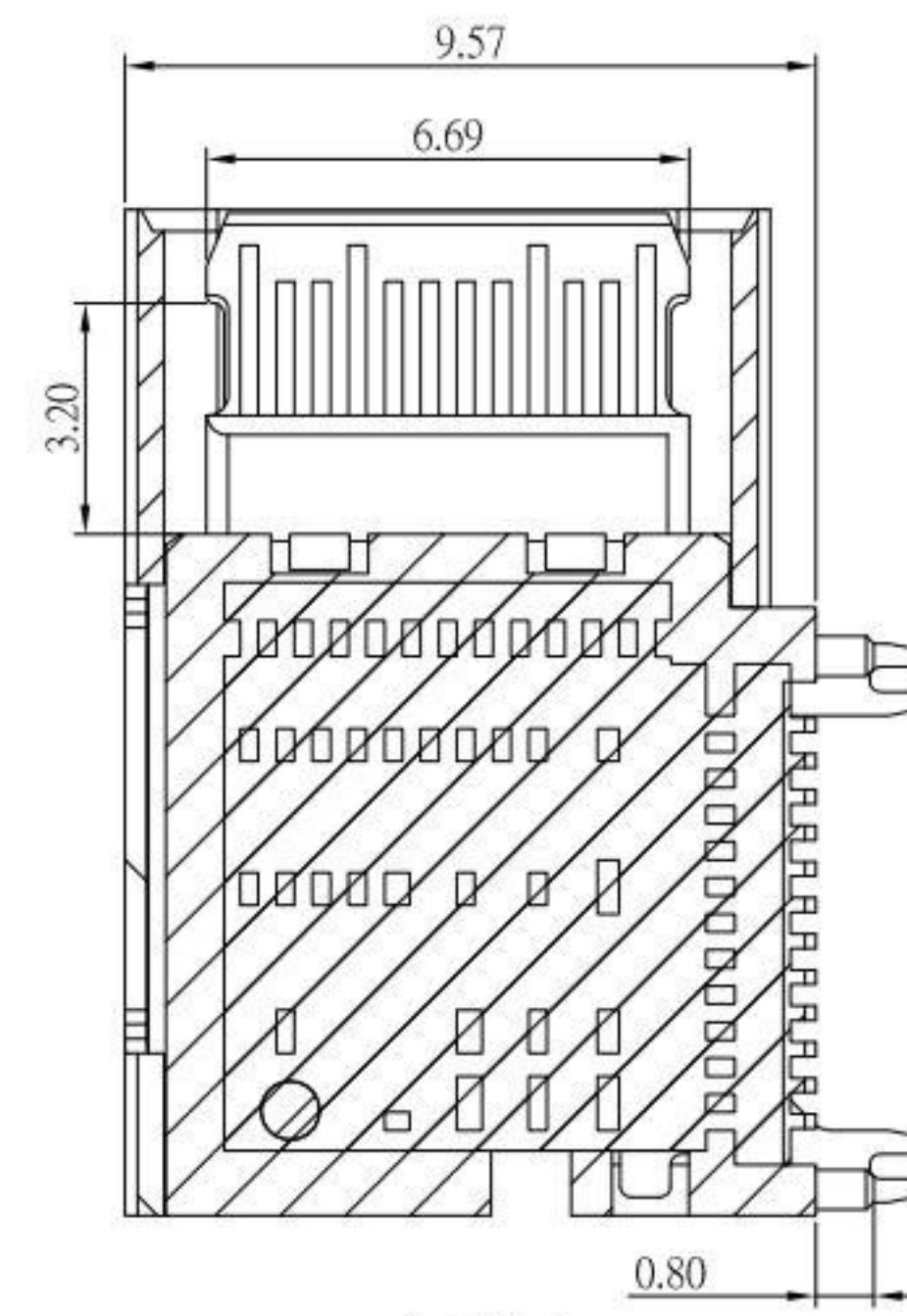
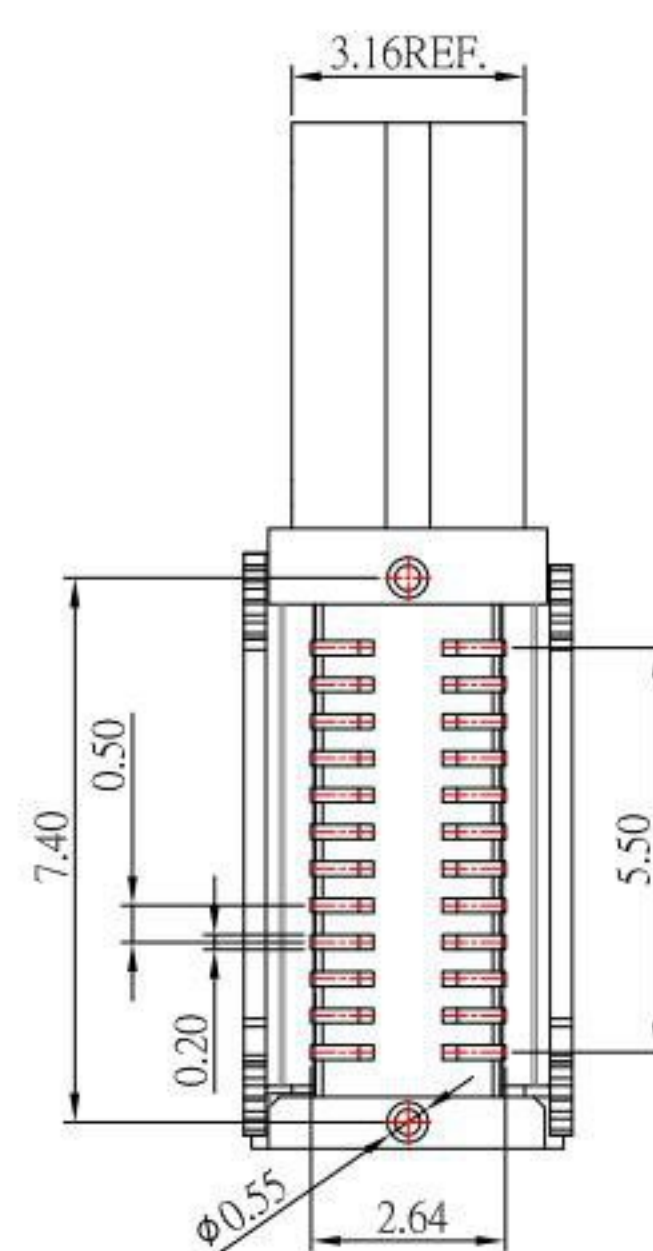
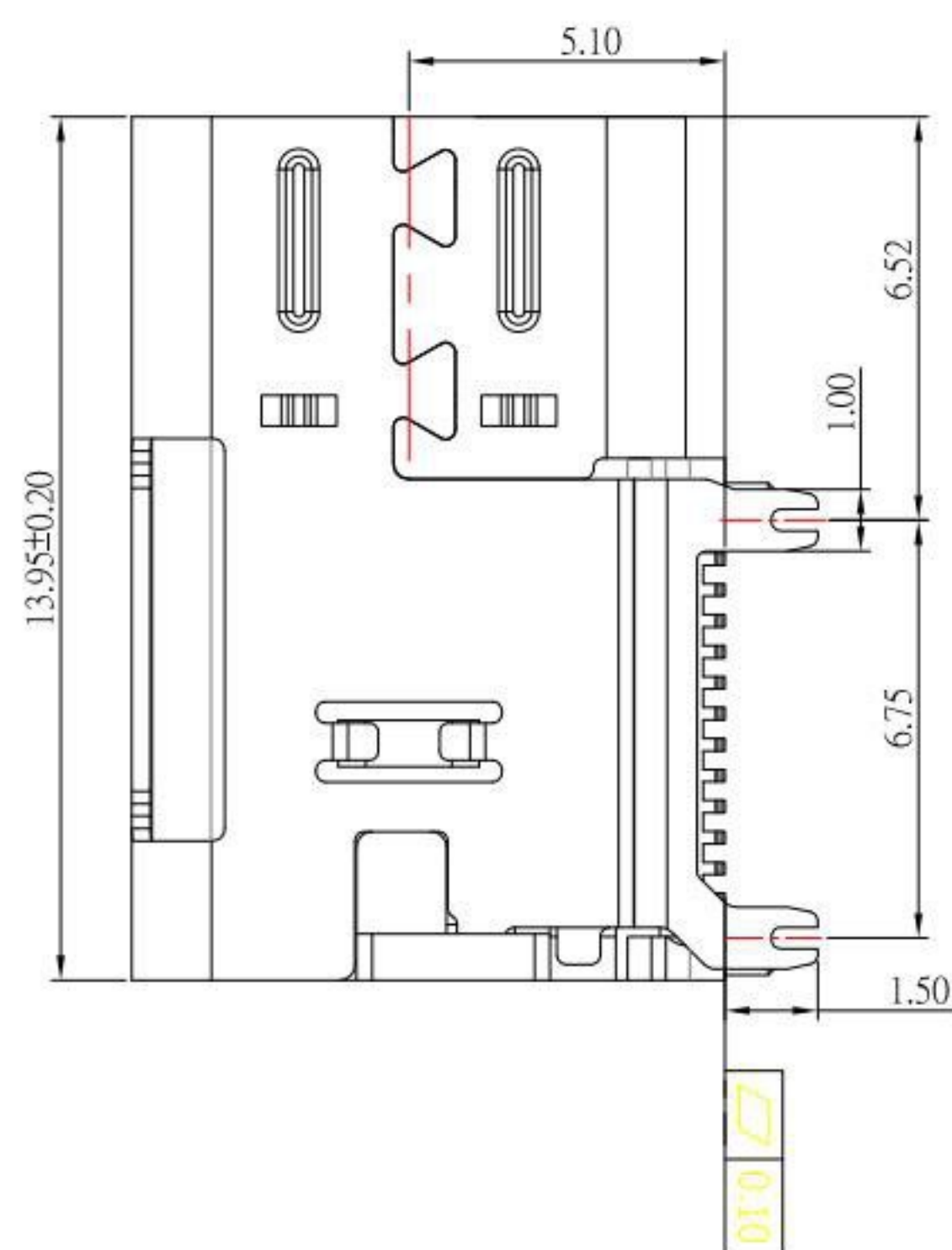
Blank	: 1u"
2	: 15u"
3	: 30u"



P.C.B LAYOUT MOUNTING PATTERN



剖視圖



剖視圖

USB TYPE-C PIN ASSIGNMENTS

PIN NUMBER	SIGNAL NAME	PIN NUMBER	SIGNAL NAME
A1	GND	B12	GND
A2	SSTXp1	B11	SSRXp1
A3	SSTXn1	B10	SSRXn1
A4	Vbus	B9	Vbus
A5	CC1	B8	SBU2
A6	D+	B7	D-
A7	D-	B6	D+
A8	SBU1	B5	CC2
A9	Vbus	B4	Vbus
A10	SSRXn2	B3	SSTXn2
A11	SSRXp2	B2	SSTXp2
A12	GND	B1	GND

SPECIFICATIONS

Electrical:

1. Rating: 5.0A
2. Contact Resistance: 40 mΩ Max
3. Insulation Resistance: 100 MΩ Min
4. Withstanding Voltage: 150V AC

Material:

1. Housing: LCP
2. Contact: C7025
3. Shell: SUS

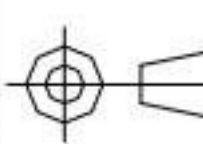
Finish:

1. Contact: Plated Gold in Mating Area ;
Gold Plated on Solder Balls ;
Nickel under plated overall
2. Shell: Nickel under Plated surface layer

KSD 科斯达电子科技有限公司
SWITCH CONNECTOR KSD ELECTRONIC TECHNOLOGY Co., LTD
全球 互联零组件制造企业

TOLERANCE UNLESS OTHERWISE STATED: Up to 5 ±0.2, Above 5 ~ 15 ±0.3, Above 15 ~ 30 ±0.4, Above 30 ~ 50 ±0.5, Angle ±0.3°

3RD. ANGEL'S



UNITS

MM

DRAWN BY: Jack Lu, DATE: 02/24/23
CHECKED BY: Jacky Chen, DATE: 02/24/23
APPROVED BY: Tony Kao, DATE: 02/24/23

MAT'L	TITLE	CONNECTOR
FINISH	MODLE	USB 3.1 TYPE C 24PIN 側貼CH5.1 SMT
SCALE	DWG NO.	SBC-240P3-31x-S412
SHEET NO.	PART NO.	SBC-240P3-31x-S412
1 : 1	SIZE	A4
1 of 1	VER	R

ITEM NO.	DESCRIPTION	DRAWN	DATE