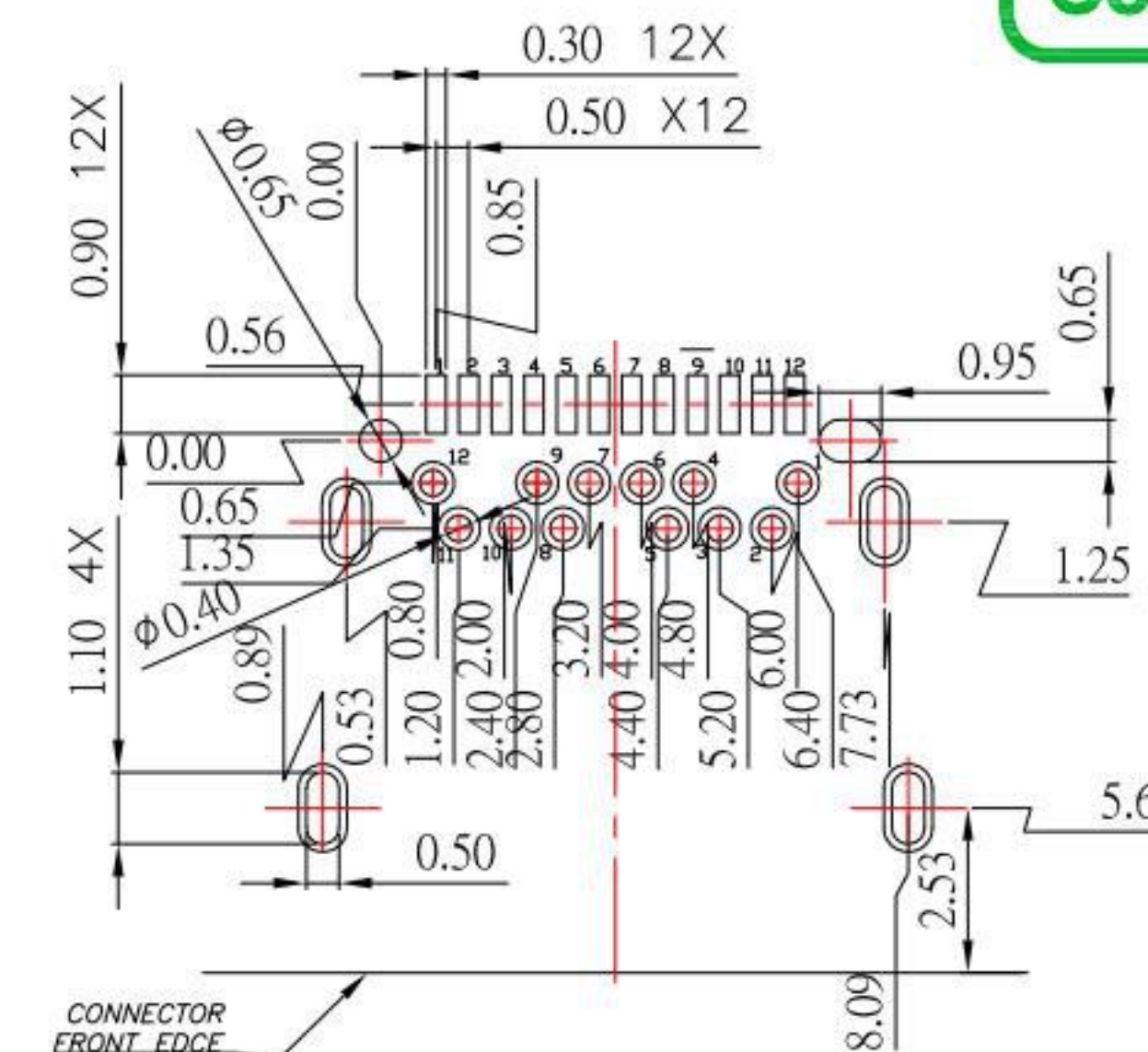
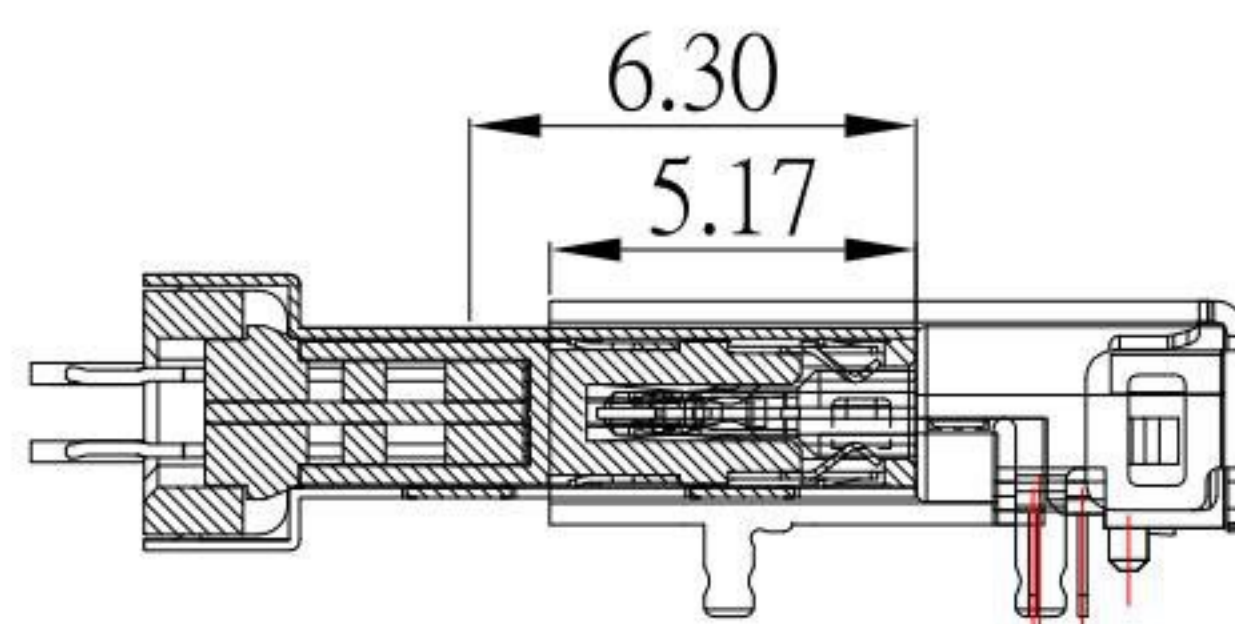
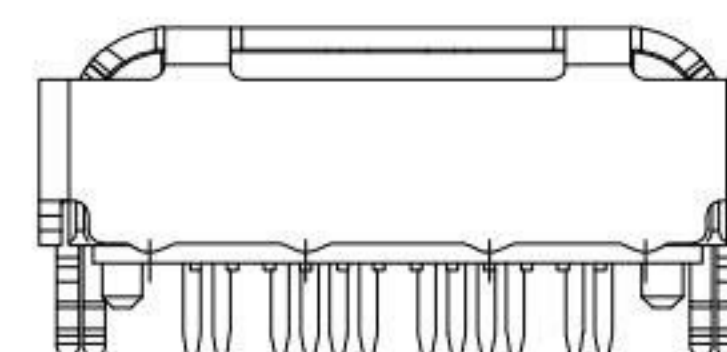
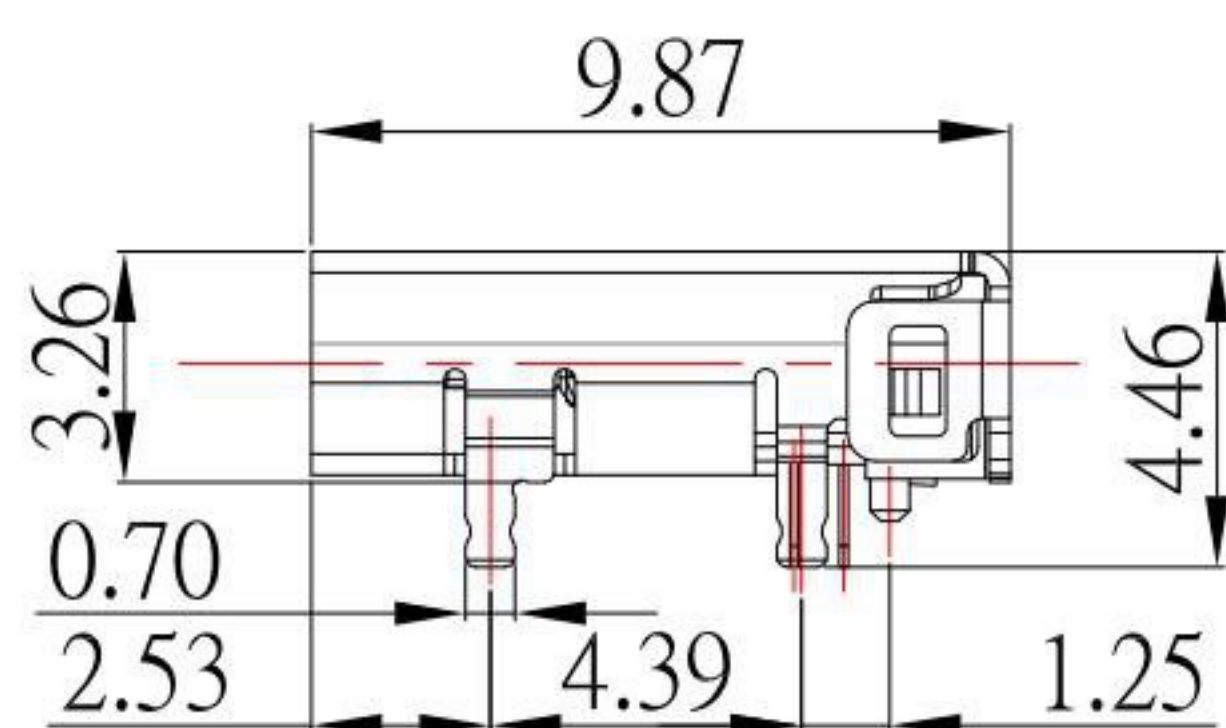
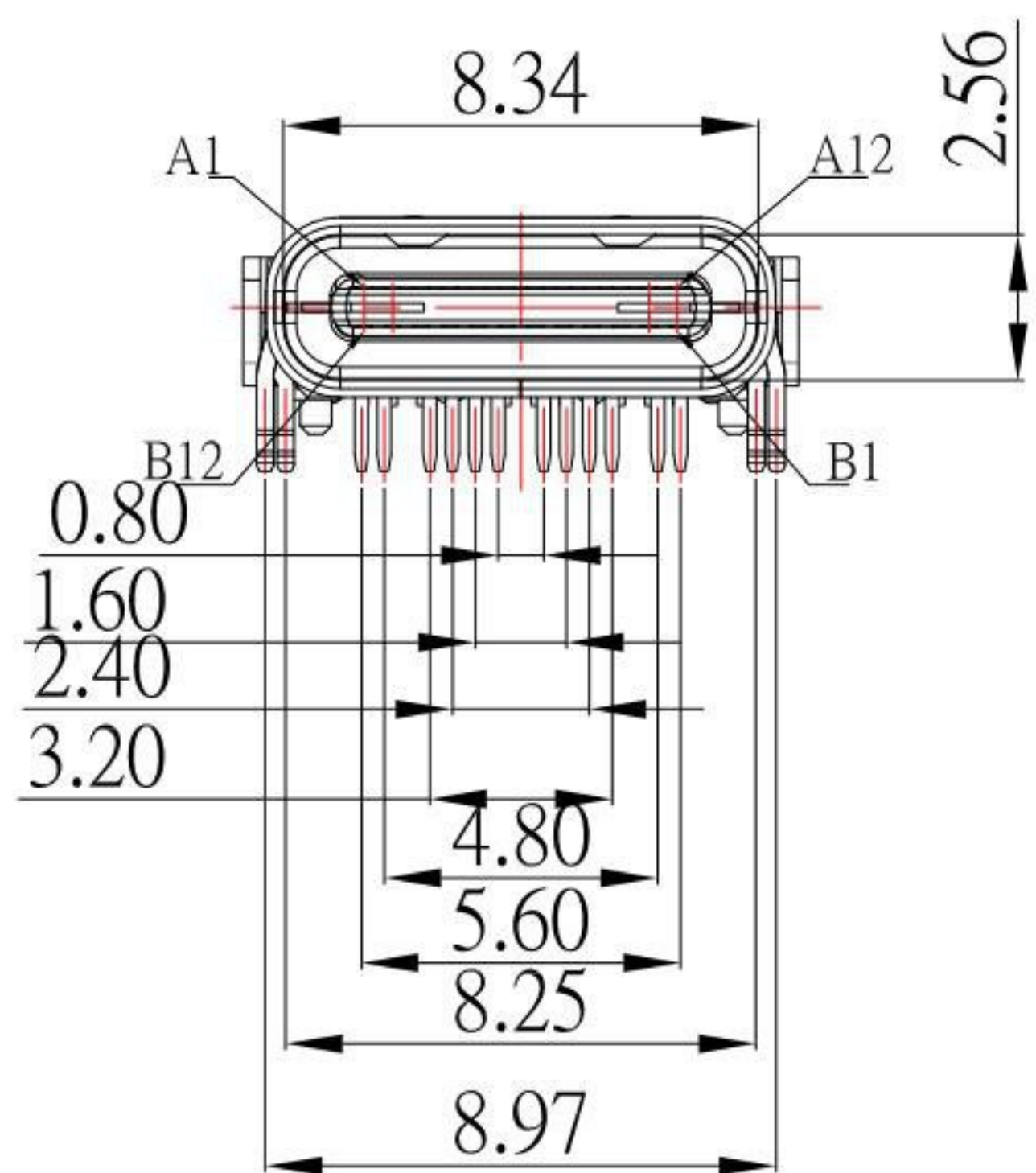
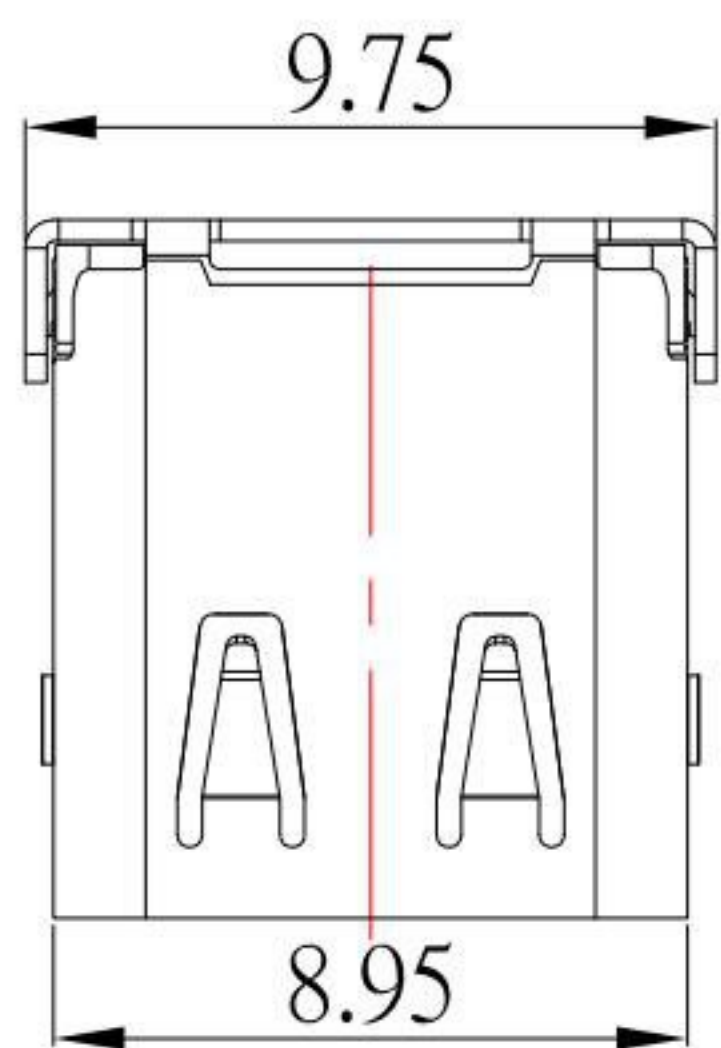




# SBC-240S-31x-S271

鍍層厚度:

Blank : 1u"
2 : 15u"
3 : 30u"



P.C.B LAYOUT MOUNTING PATTERN

## SPECIFICATIONS

### Electrical:

1. Rating: 3.0A
2. Contact Resistance: 40 mΩ Max
3. Insulation Resistance: 100 MΩ Min
4. Withstanding Voltage: 100V AC

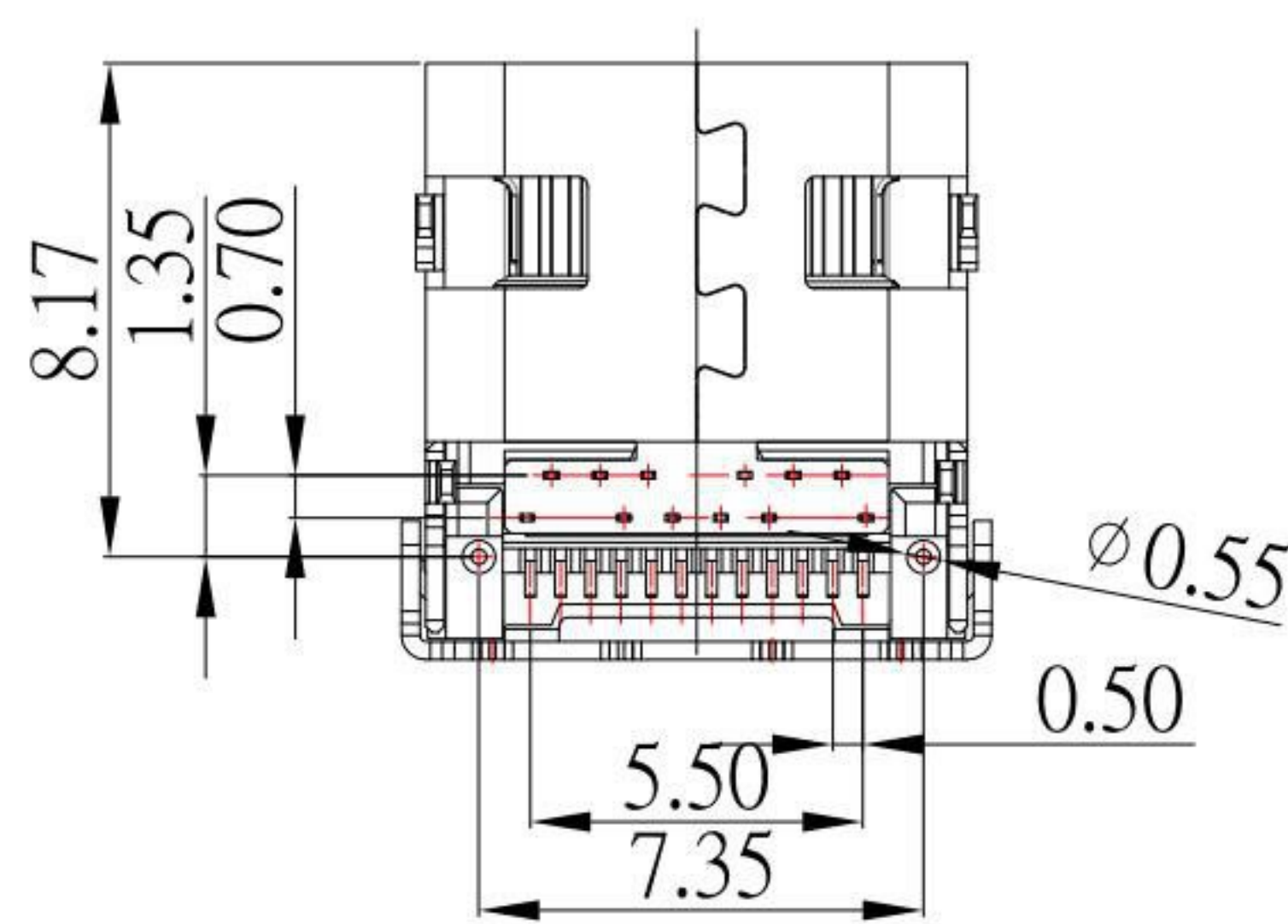
### Material:

1. Housing: LCP
2. Contact: C18140
3. Shell: SUS

### Finish:

1. Contact: Plated Gold in Mating Area ;  
Tin Plated on Solder Balls ;  
Nickel under plated overall
2. Shell: Nickel under Plated surface layer

A1	GND	B12	GND
A2	SSTXP1	B11	SSRXP1
A3	SSTXN1	B10	SSRXN1
A4	VBUS	B9	VBUS
A5	CC1	B8	SBU2
A6	DP1	B7	DN2
A7	DN1	B6	DP2
A8	SBU1	B5	CC2
A9	VBUS	B4	VBUS
A10	SSRXN2	B3	SSTXN2
A11	SSRXP2	B2	SSTXP2
A12	GND	B1	GND
PIN	SIGNAL NAME	PIN	SIGNAL NAME



6	更新Contact材質	Jack	021623
5	更新Contact材質	Jack	010423
4	更新PCB LAYOUTR及新增零件背面圖	Jack	010821
3	新增尺寸	Jack	052520
2	新增插入深度尺寸	Jack	052020
1	更新SPEC	Jack	041420
ITEM NO.	DESCRIPTION	DRAWN	DATE

**KSD** 科斯达电子科技有限公司  
 SWITCH CONNECTOR 全球互聯零組件制造企业  
 KSD ELECTRONIC TECHNOLOGY Co., LTD

TOLERANCE UNLESS OTHERWISE STATED:  
 Up to 5 ±0.2  
 Above 5 ~ 15 ±0.3  
 Above 15 ~ 30 ±0.4  
 Above 30 ~ 50 ±0.5  
 Angle ±0.3°

3RD. ANGEL'S  
 UNITS MM

DRAWN BY:	DATE	MAT'L	TITLE	CONNECTOR
Jack Lu	02/16/23		MODLE	USB 3.1 TYPE C PIN 腳長1.2mm
CHECKED BY:	DATE	FINISH	SCALE	1 : 1
Jacky Chen	02/16/23		DWG NO.	SBC-240S-31x-S271
APPROVED BY:	DATE	SHEET NO.	PART NO.	SBC-240S-31x-S271
Tony Kao	02/16/23	1 of 1		
			SIZE	A4
			VER	R6