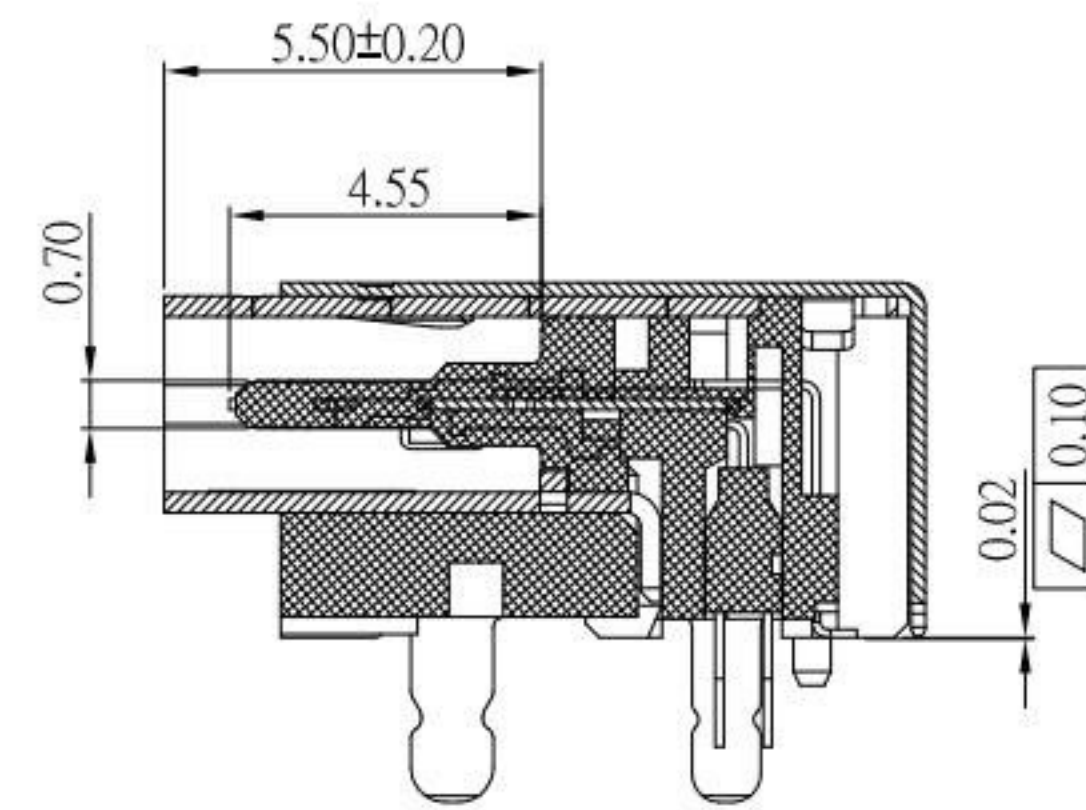
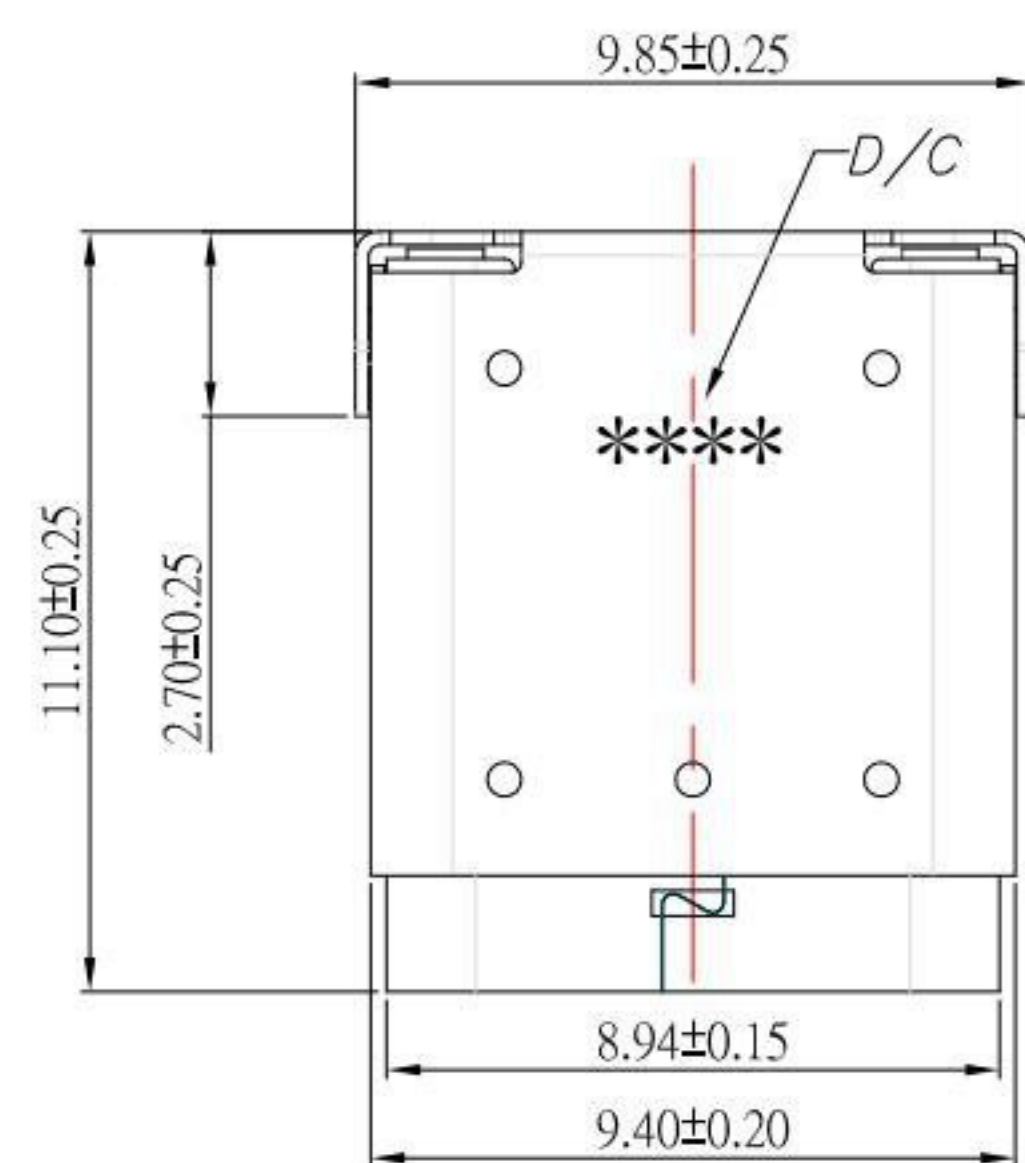




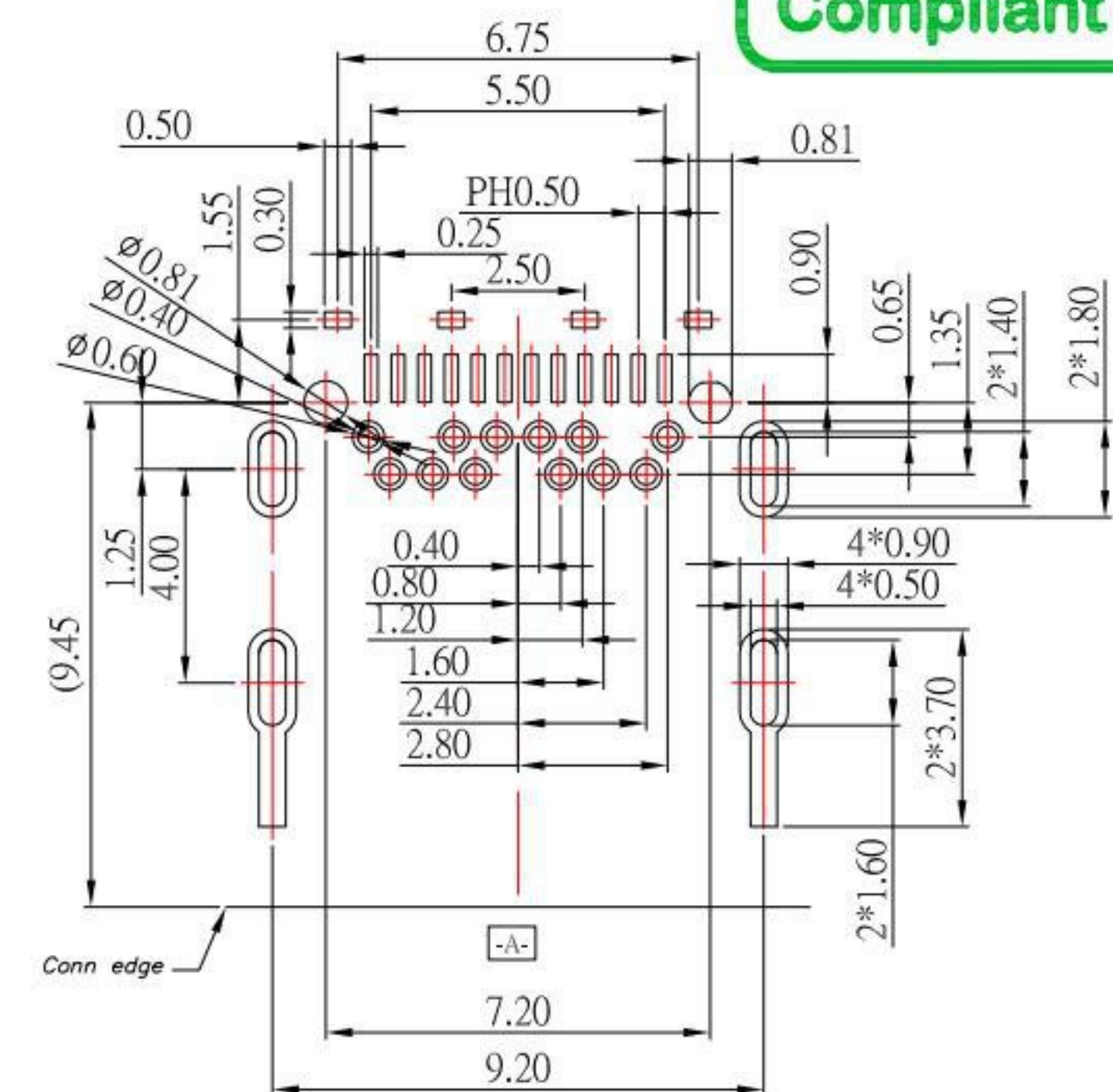
SBC-240S19-31x-S165

鍍層厚度:

Blank	: 1u"
2	: 15u"
3	: 30u"



SECTION A-A
SCALE 1:1



P.C.B LAYOUT MOUNTING PATTERN

SPECIFICATIONS

Electrical:

1. Rating: 5V AC, 3.0A For VBUS; 1.25A For VCONN and GND
0.25A For OTHER

2. Contact Resistance: 40 mΩ Max
3. Insulation Resistance: 100 MΩ Min
4. Dielectric Withstanding Voltage: 100V AC

Mechanical:

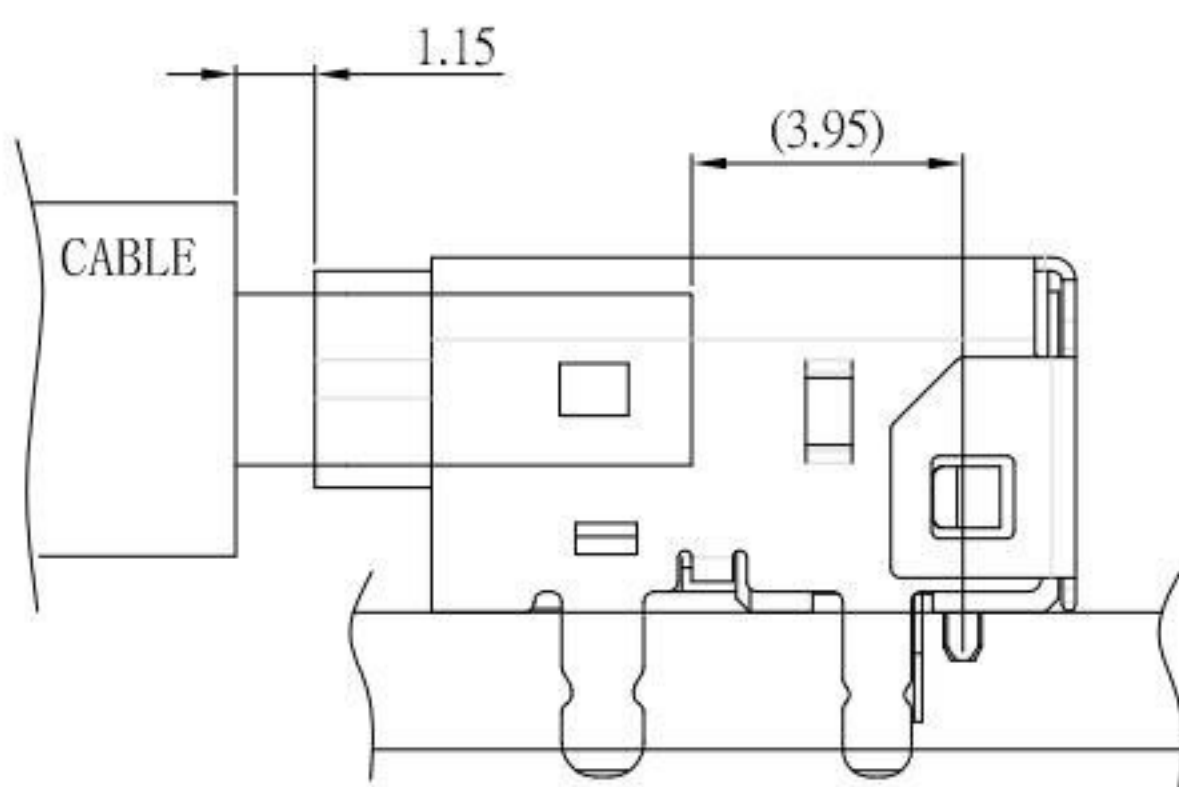
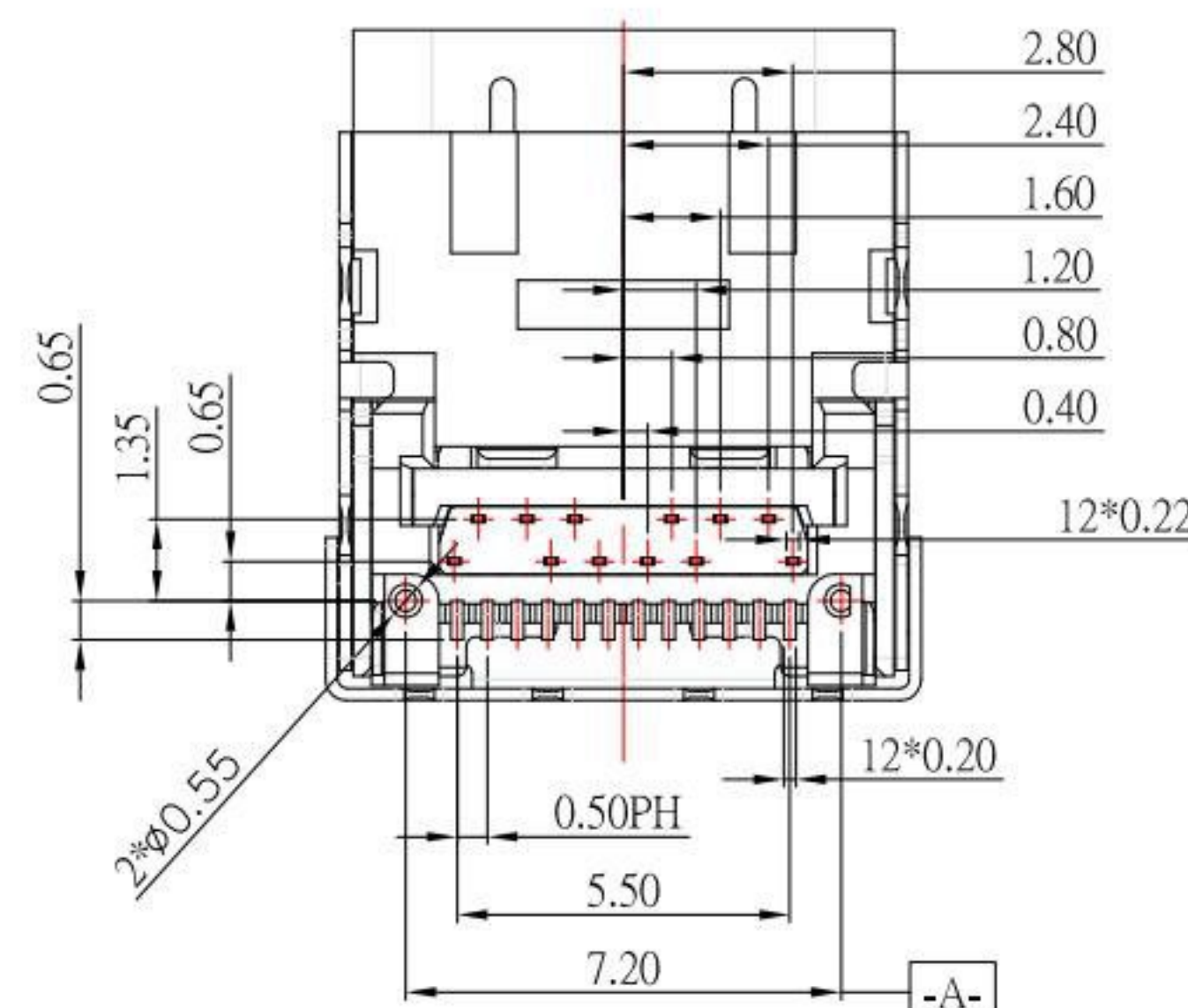
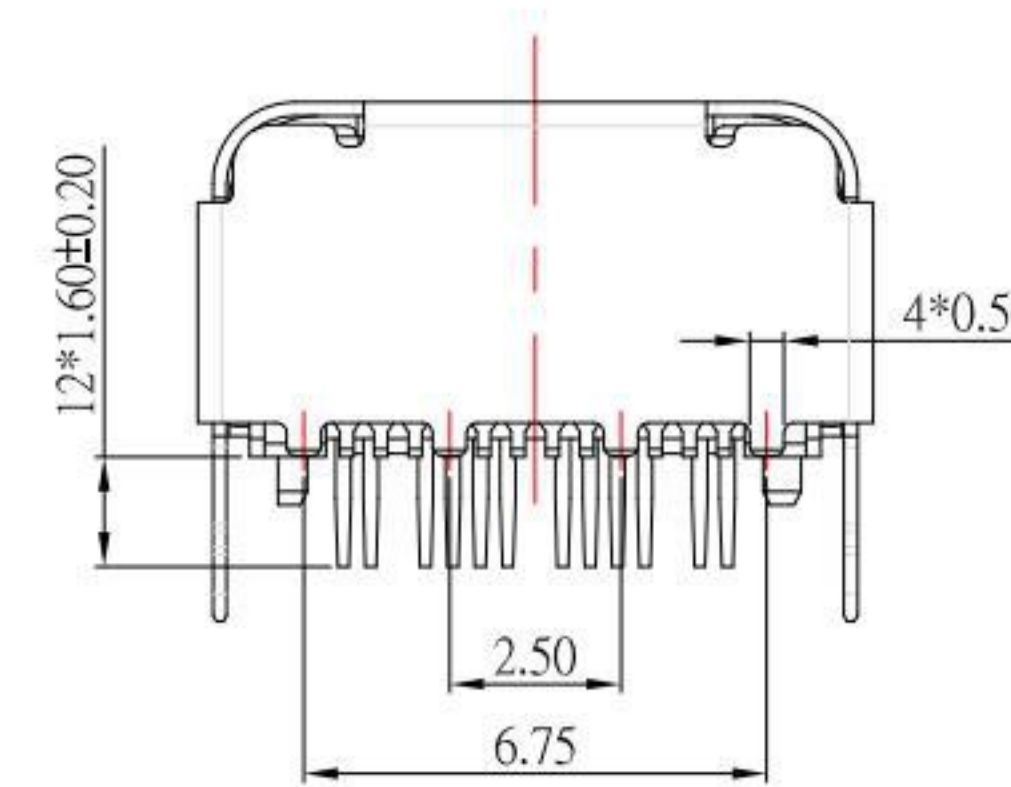
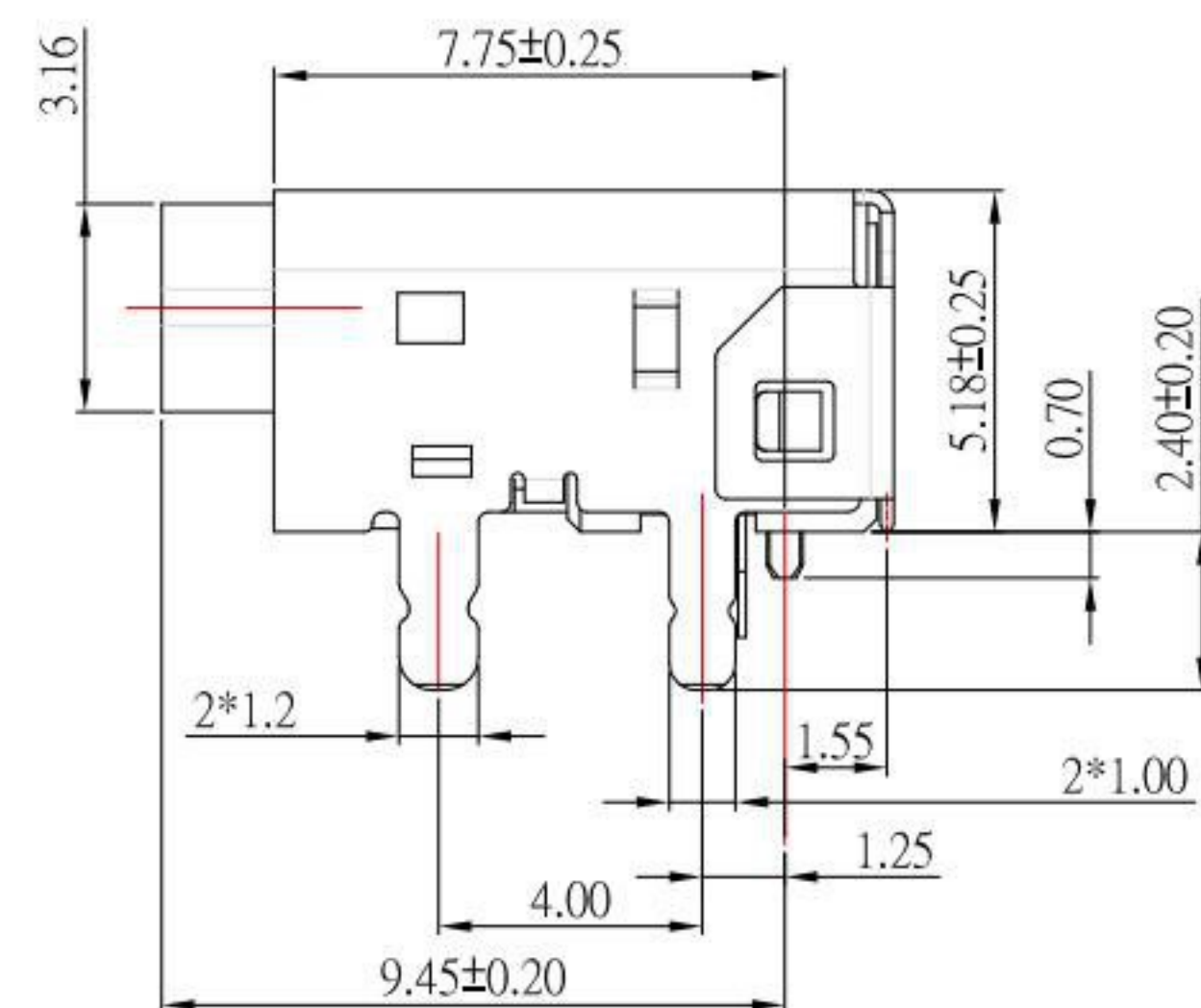
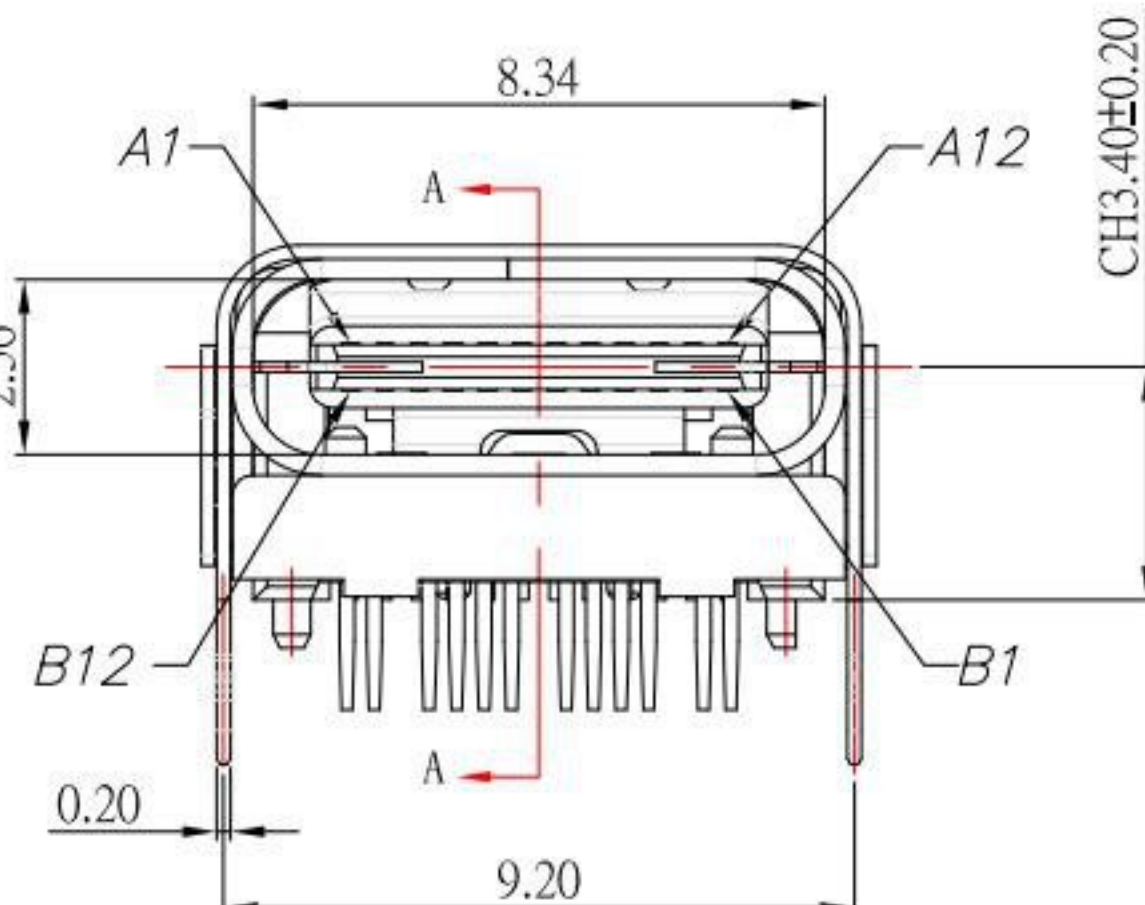
1. Connector Mate and Unmate Force
 - 1.1 Mate force: 5~20 N
 - 1.2 Unmate force: 8~20 N

Material:

1. Housing: LCP
2. Contact: Copper Alloy
3. Shell: Stainless Steel

Finish:

1. Contact: Plated Gold in Mating Area ;
Tin Plated on Solder Balls ;
Nickel under plated overall
2. Shell: Nickel under Plated surface layer



Mating

A1	GND	B12	GND
A2	SSTXP1	B11	SSRXP1
A3	SSTXN1	B10	SSRXN1
A4	VBUS	B9	VBUS
A5	CC1	B8	SBU2
A6	DP1	B7	DN2
A7	DN1	B6	DP2
A8	SBU1	B5	CC2
A9	VBUS	B4	VBUS
A10	SSRXN2	B3	SSTXN2
A11	SSRXP2	B2	SSTXP2
A12	GND	B1	GND
PIN	SIGNAL NAME	PIN	SIGNAL NAME

KSD 科斯达电子科技有限公司
SWITCH CONNECTOR KSD ELECTRONIC TECHNOLOGY Co., LTD
全球 互联零组件制造企业

TOLERANCE UNLESS OTHERWISE STATED:	Up to 5 ±0.2	3RD. ANGEL'S	UNITS	MM
	Above 5 ~ 15 ±0.3			
	Above 15 ~ 30 ±0.4			
	Above 30 ~ 50 ±0.5			
	Angle ±0.3°			

DRAWN BY:	DATE	MAT'L	TITLE	CONNECTOR
Jack Lu	12/05/22		MODLE	TYPE C/F 加高型 CH:3.4 SMT+ DIP 脚 L:11.1
CHECKED BY:	DATE	FINISH	DWG NO.	SBC-240S19-31x-S165
Jacky Chen	12/05/22		PART NO.	SBC-240S19-31x-S165
APPROVED BY:	DATE	SCALE	SHEET NO.	1 of 1
Tony Kao	12/05/22	1:1		

1	更新MODEL描述	Jack	120522
ITEM NO.	DESCRIPTION	DRAWN	DATE