



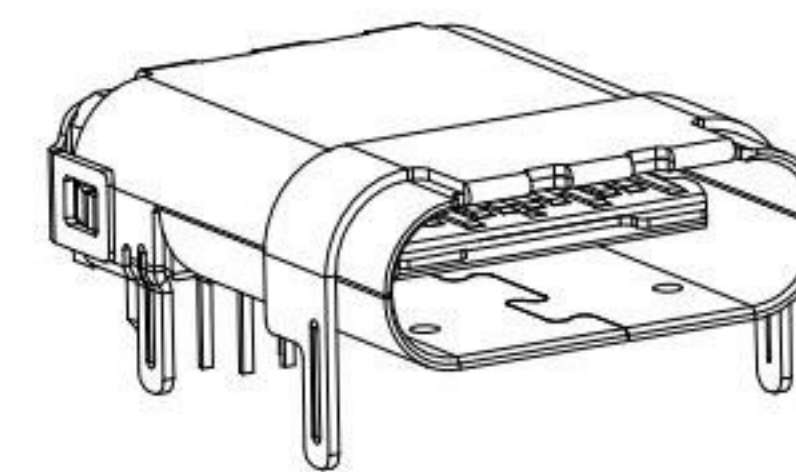
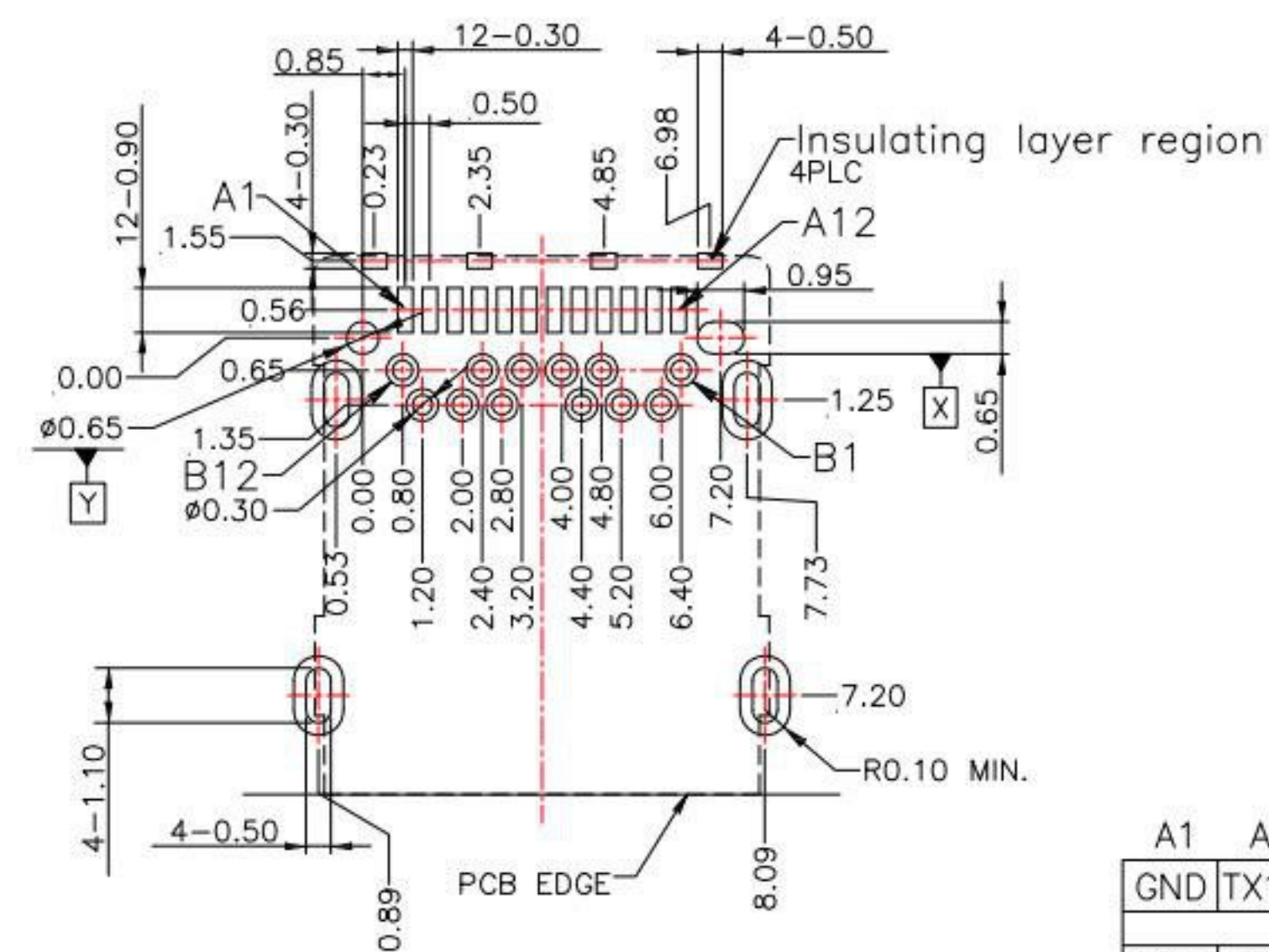
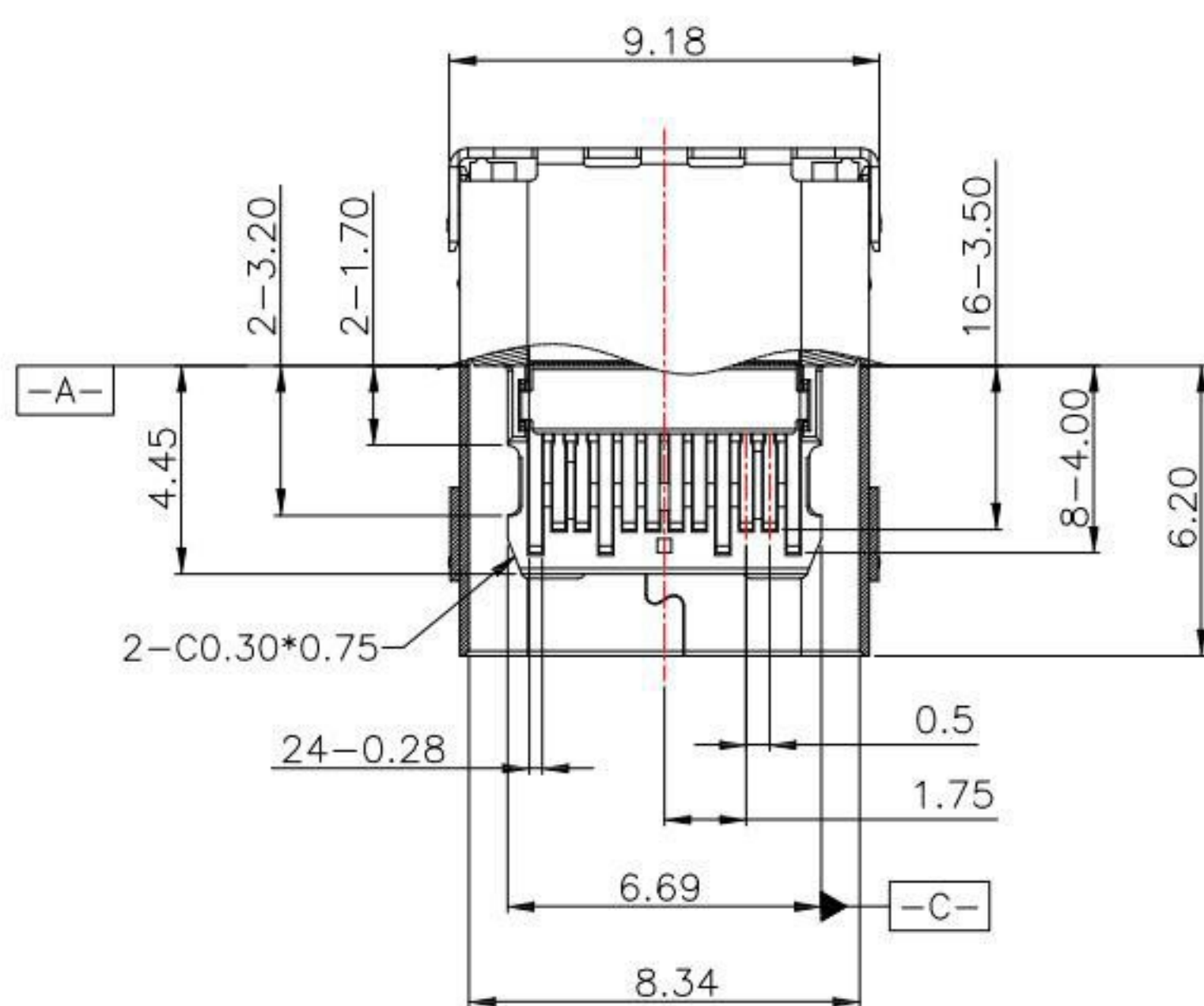
# SBC-240S2-31x-S242

鍍層厚度:

Blank : 1u"

2 : 15u"

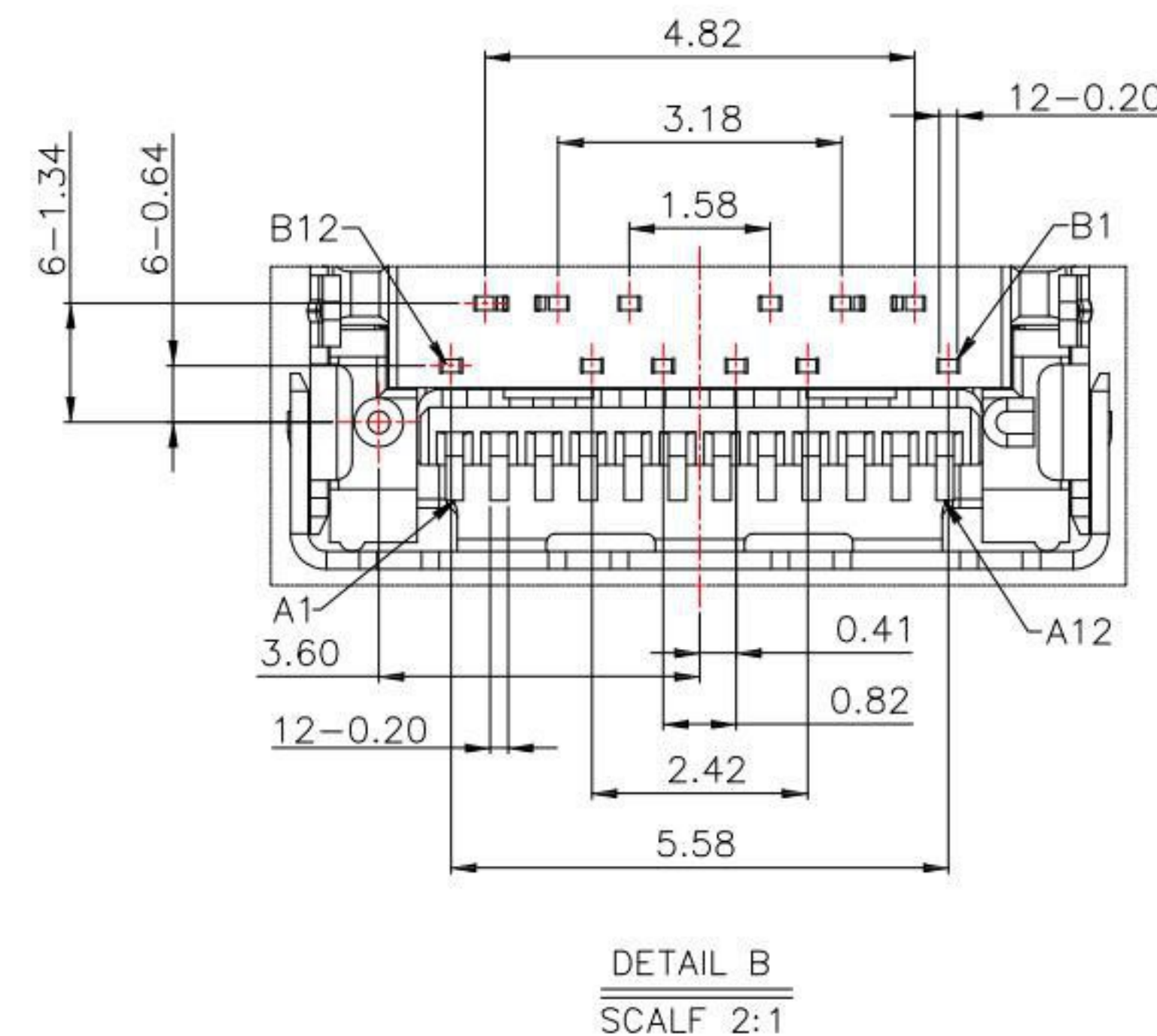
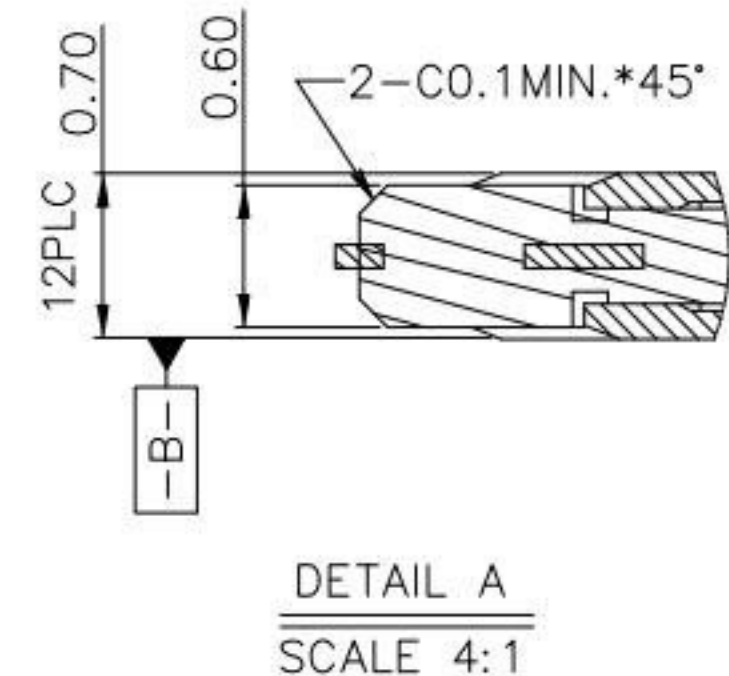
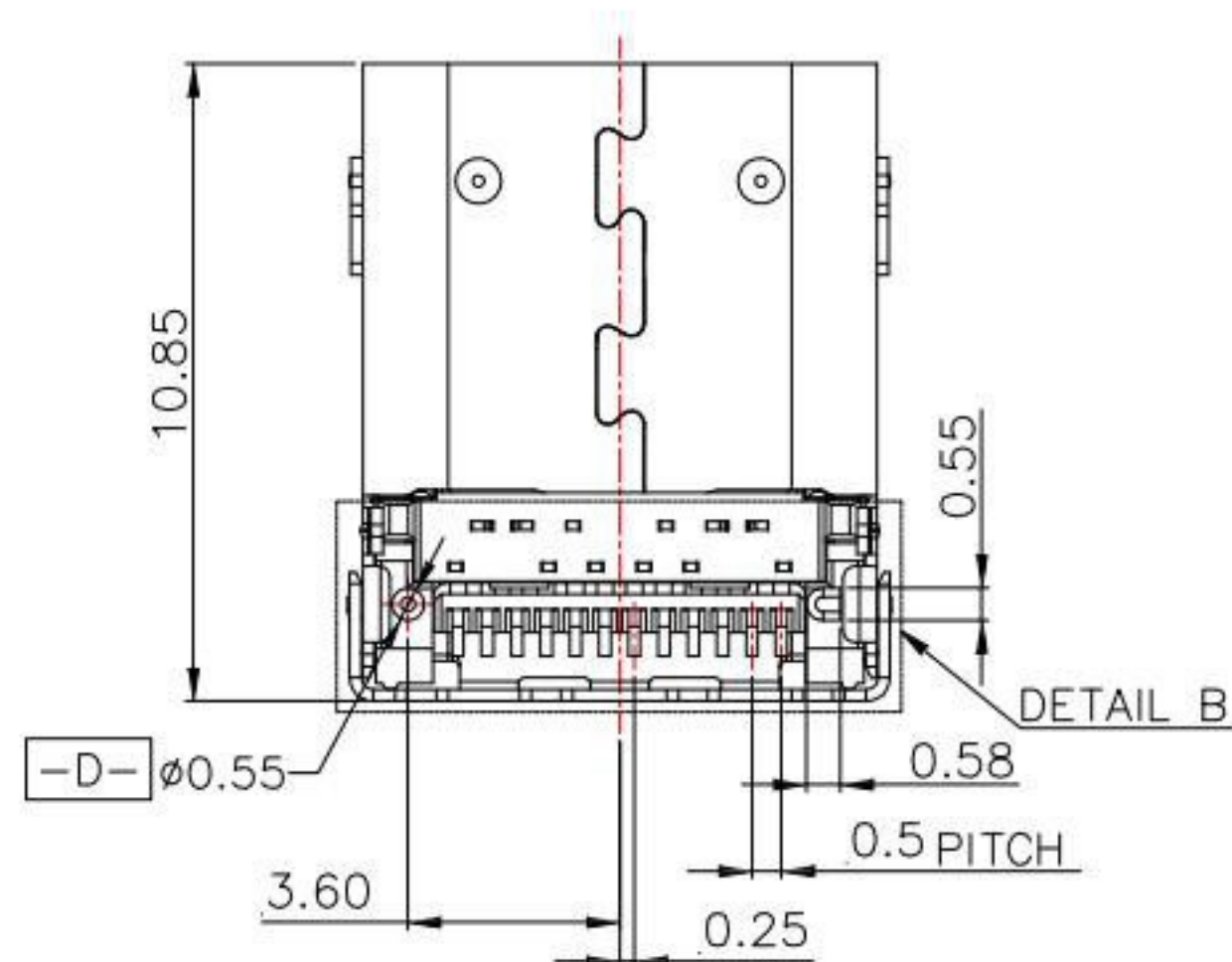
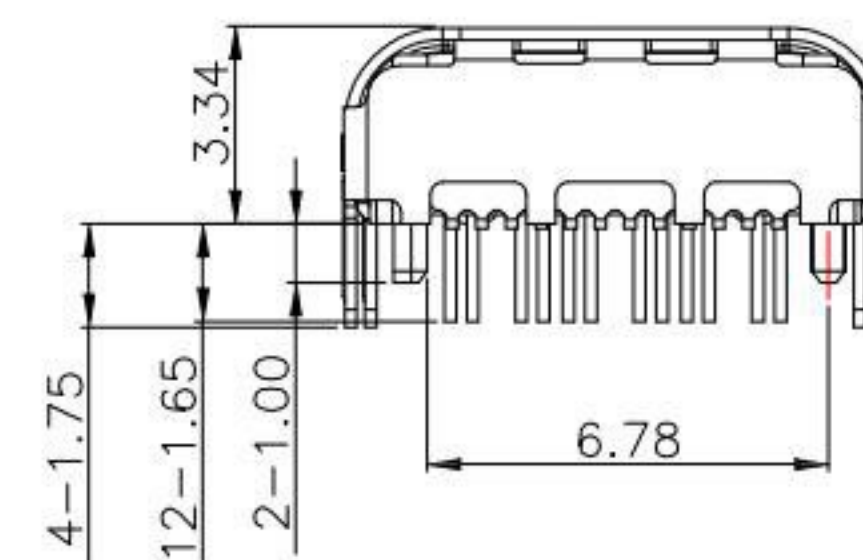
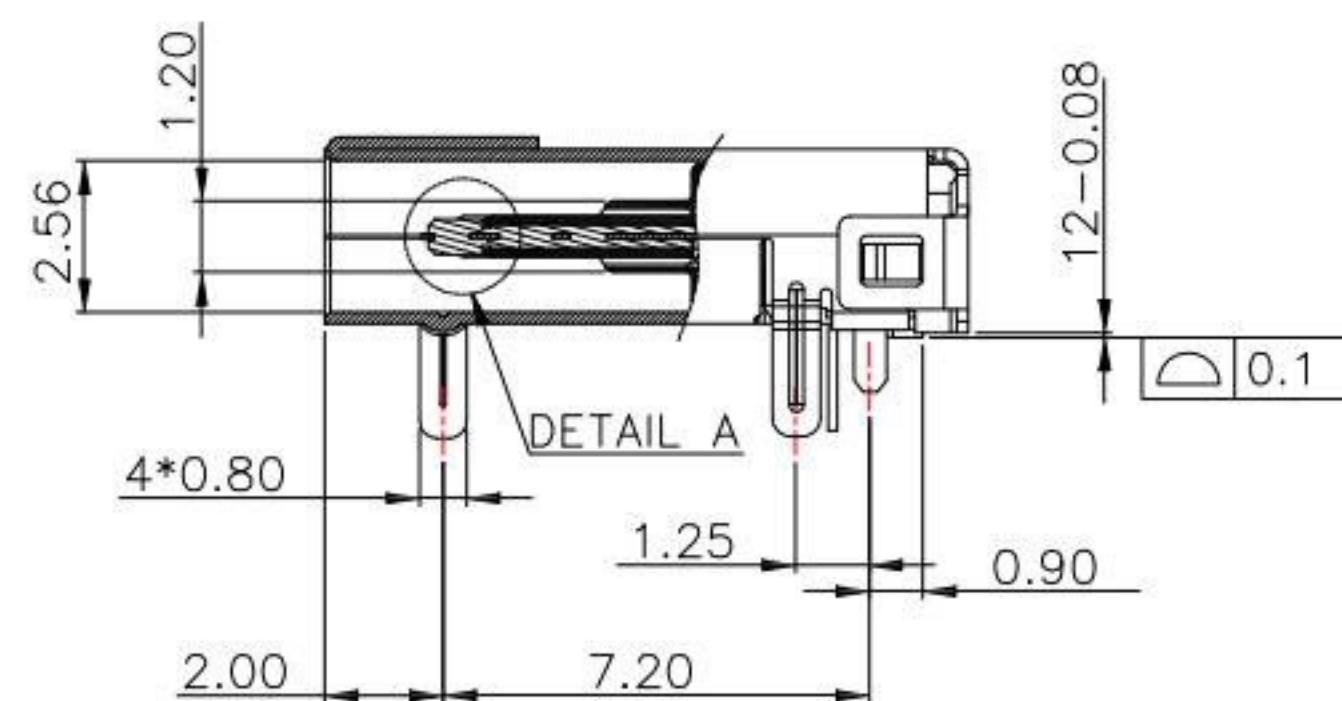
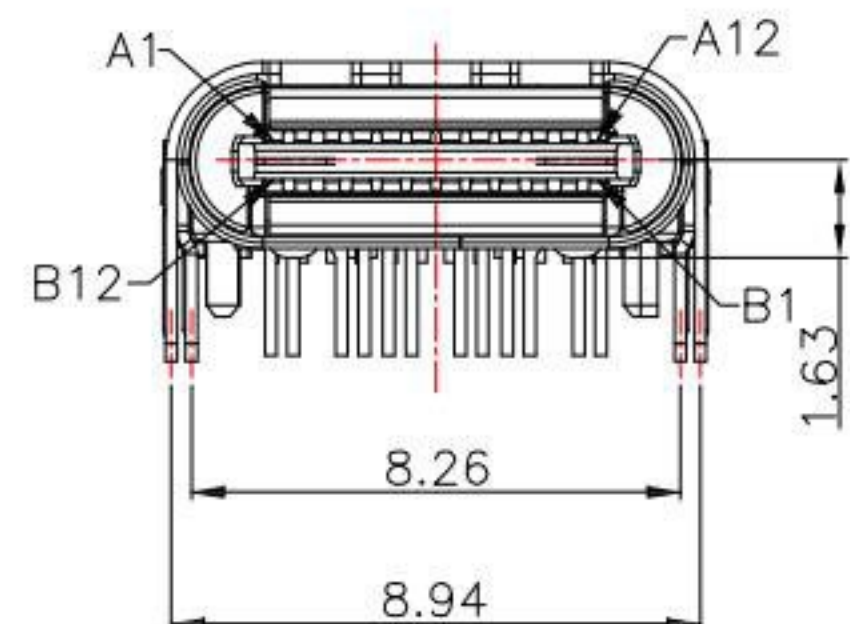
3 : 30u"



A1	A2	A3	A4	A5	A6	A7	A8	A9	A10	A11	A12
GND	TX1+	TX1-	VBUS	CC1	D+	D-	SBU1	VBUS	RX2-	RX2+	GND
GND	RX1+	RX1-	VBUS	SBU2	D-	D+	CC2	VBUS	TX2-	TX2+	GND
B12	B11	B10	B9	B8	B7	B6	B5	B4	B3	B2	B1

INTERFACE DEFINITION

P.C.B LAYOUT MOUNTING PATTERN



## SPECIFICATIONS

### Electrical:

- Current Rating: 5.0A For VBUS Pin  
1.25A For VCONN Pin

- Contact Resistance: 40 mΩ Max
- Insulation Resistance: 100 MΩ Min
- Dielectric Withstanding Voltage: 100V AC

### Mechanical:

- Connector Mate and Unmate Force
  - Mate force: 5~20 N
  - Unmate force: 8~20 N

### Material:

- Housing: LCP,UL 94V-0
- Contact: C7025
- Shell: Stainless Steel

### Finish:

- Contact: Plated Gold in Mating Area ;  
Tin Plated on Solder Balls ;  
Nickel under plated overall
- Shell: Nickel under Plated surface layer

5	新增尺寸	Jack	090522
4	更新Contact材質	Jack	031822
3	更新PCB LAYOUT尺寸	Jack	061118
2	新增PCB LAYOUT中PIN的中心線及尺寸	Jack	080515
1	更新料號	Jack	070915
ITEM NO.	DESCRIPTION	DRAWN	DATE

**KSD** 科斯达电子科技有限公司  
SWITCH CONNECTOR KSD ELECTRONIC TECHNOLOGY Co., LTD  
全球 互聯零組件製造企業

TOLERANCE UNLESS OTHERWISE STATED:

Up to 5	±0.2
Above 5 ~ 15	±0.3
Above 15 ~ 30	±0.4
Above 30 ~ 50	±0.5
Angle	±0.3°

3RD. ANGEL'S

UNITS MM

DRAWN BY:	DATE	MAT'L	TITLE	CONNECTOR
Jack Lu	09/05/22		MODLE	USB 3.1TYPE C PIN腳長:1.6
CHECKED BY:	DATE	FINISH	SCALE	1 : 1
Jacky Chen	09/05/22		DWG NO.	SBC-240S2-31x-S242
APPROVED BY:	DATE	SHEET NO.	PART NO.	SBC-240S2-31x-S242
Tony Kao	09/05/22	1 of 1		