



SBC-240S4-31x-S412

鍍層厚度:

Blank : 1u"
2 : 15u"
3 : 30u"

SPECIFICATIONS

Electrical:

- 1.Current Rating: 5.0A
- 2.Voltage Rating: 20V
- 3.Contact Resistance: 40 mΩ Max
- 4.Insulation Resistance: 100 MΩ Min
- 5.Dielectric Withstanding Voltage: 100V AC

Mechanical:

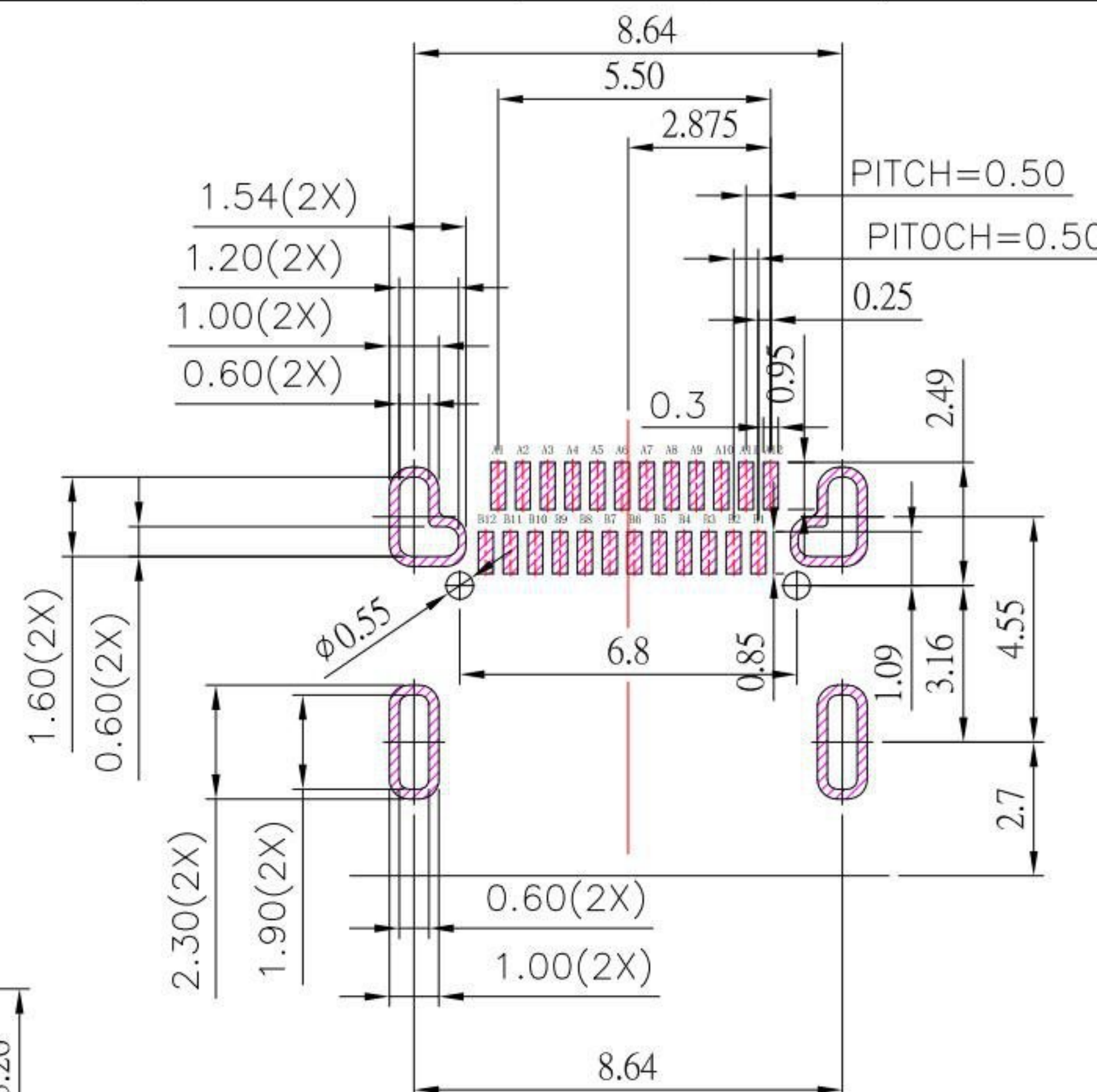
- 1.Connector Mate and Unmate Force
 - 1.1 Mate force: 5~20N
 - 1.2 Unmate force: 8~20N

Material:

- 1.Housing: LCP
- 2.Contact: C18400
- 3.Shell: SUS

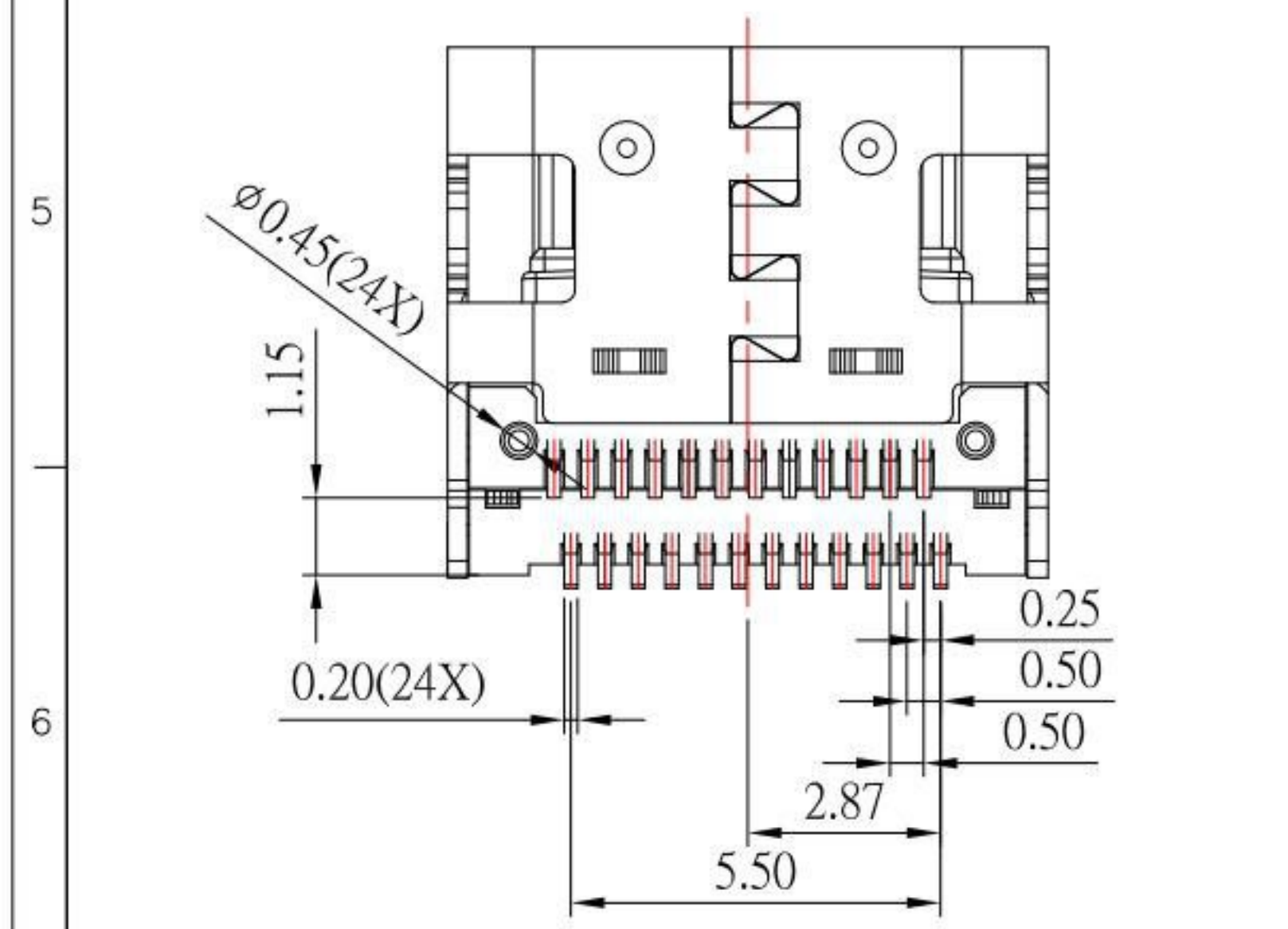
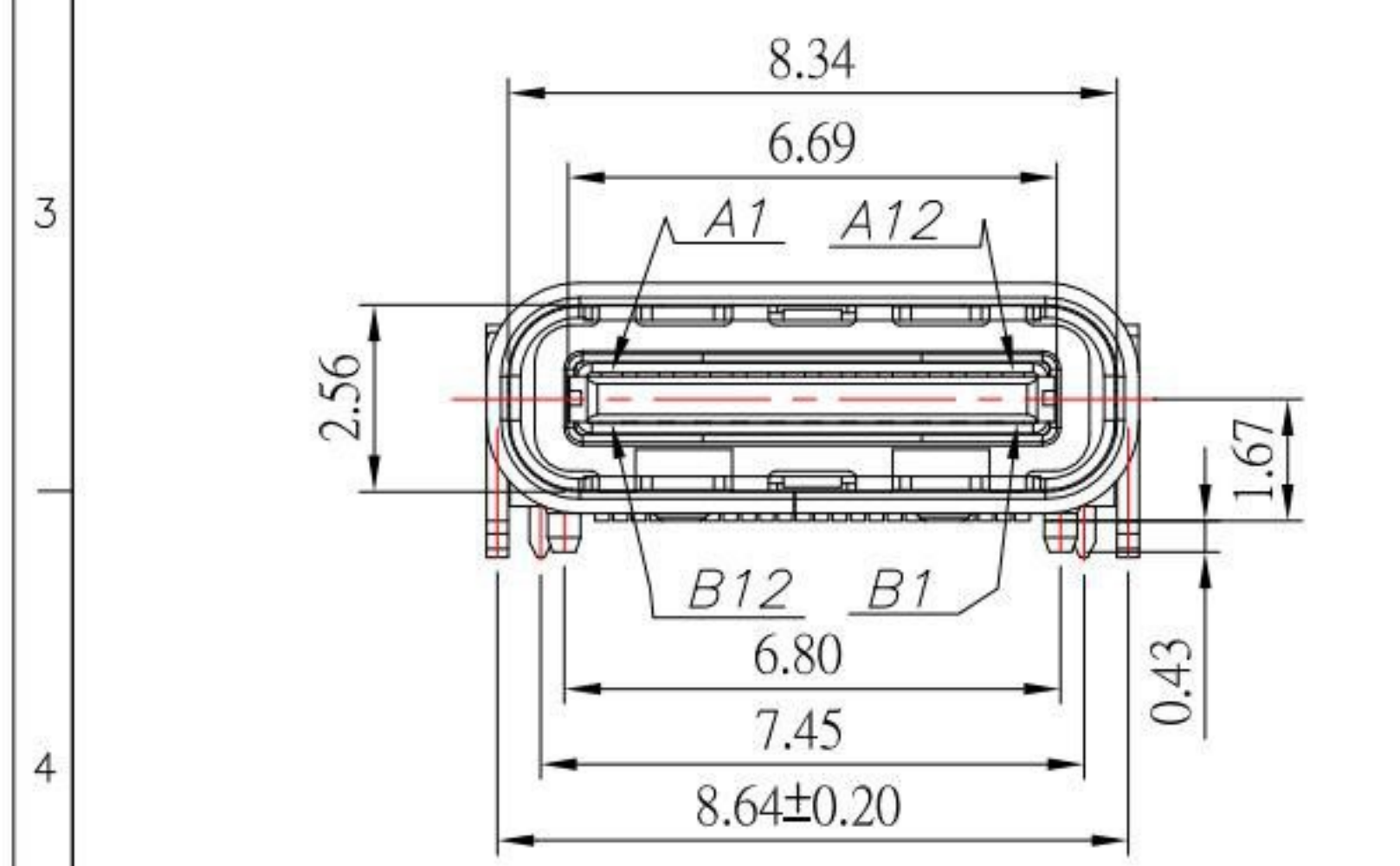
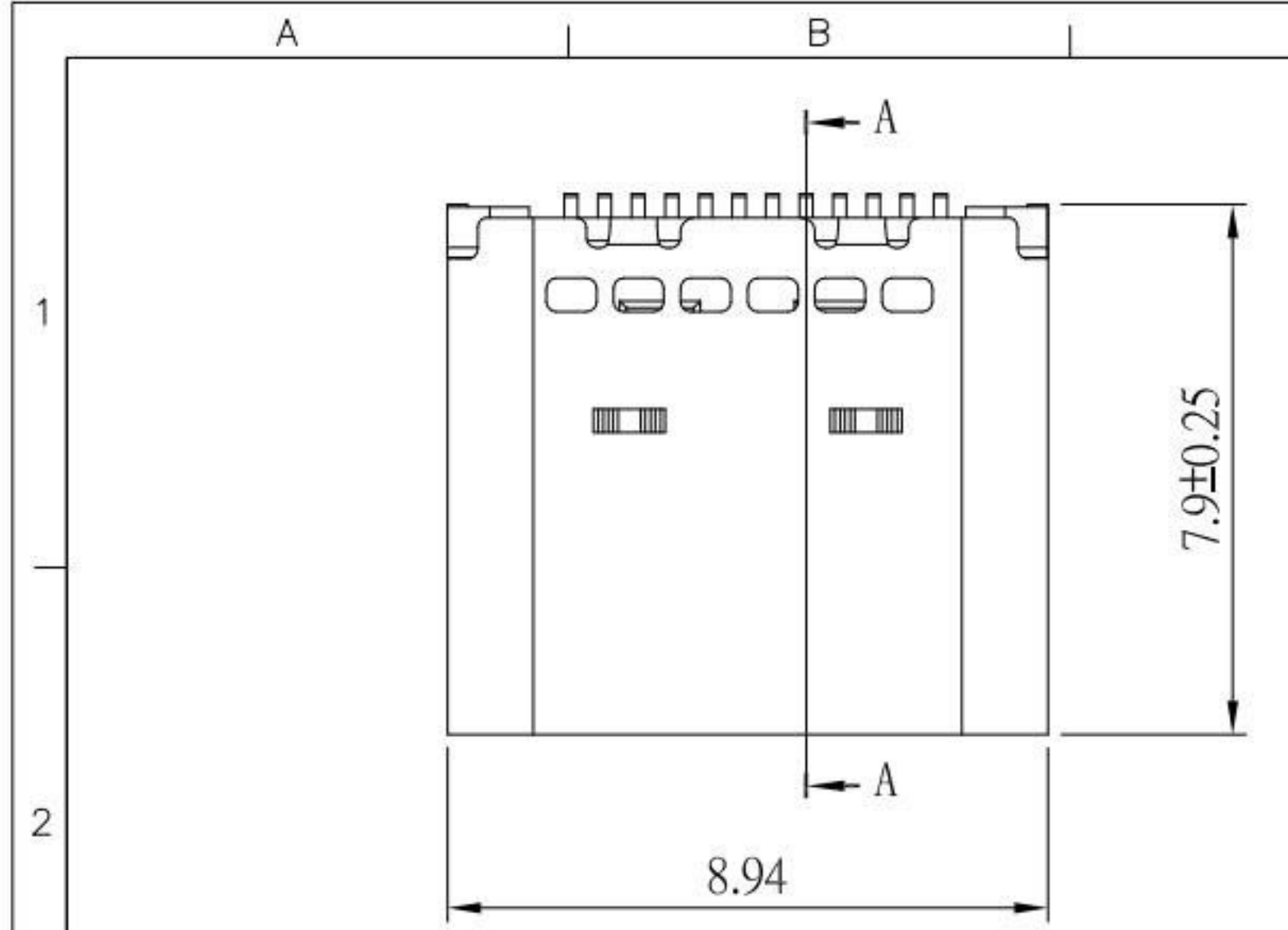
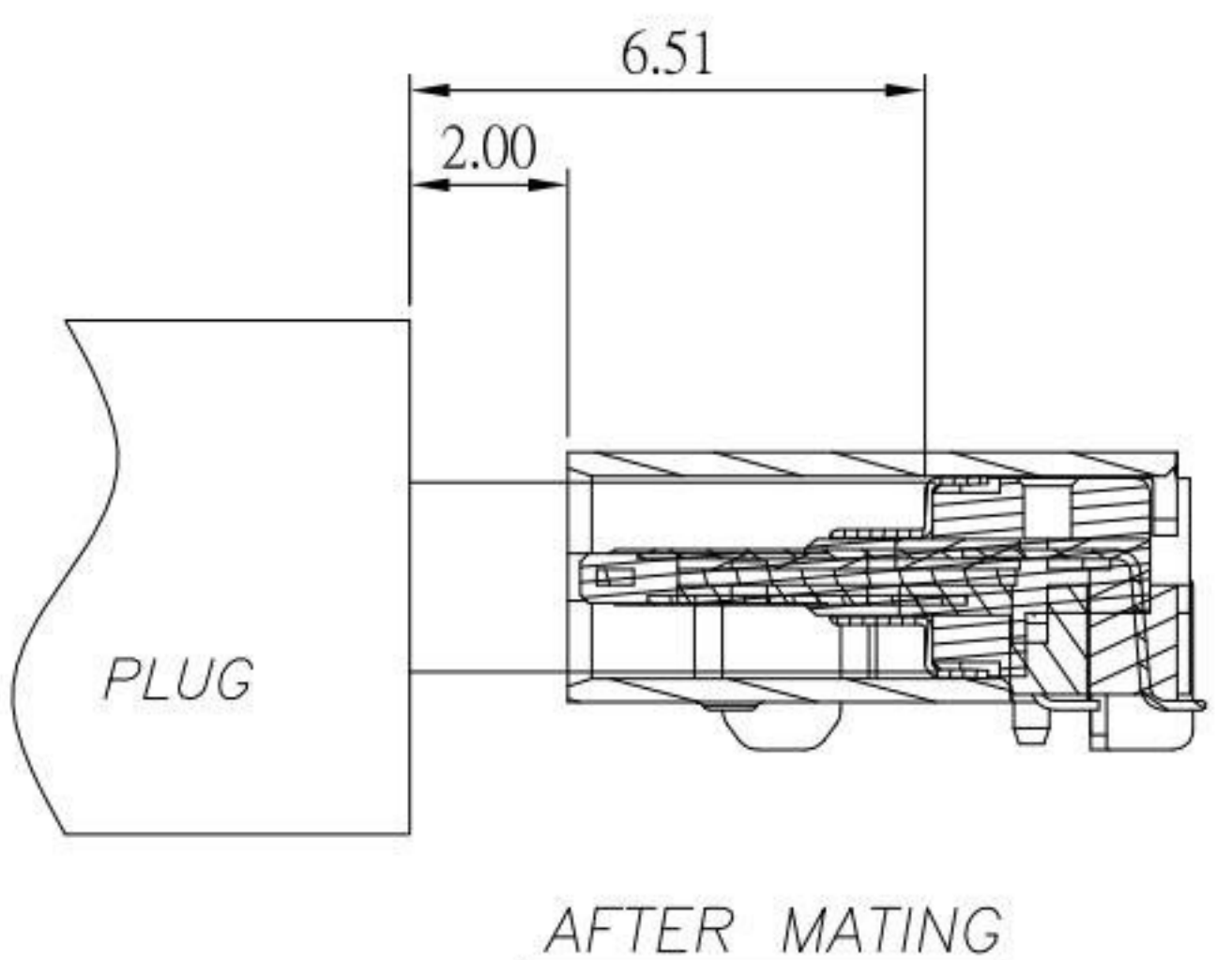
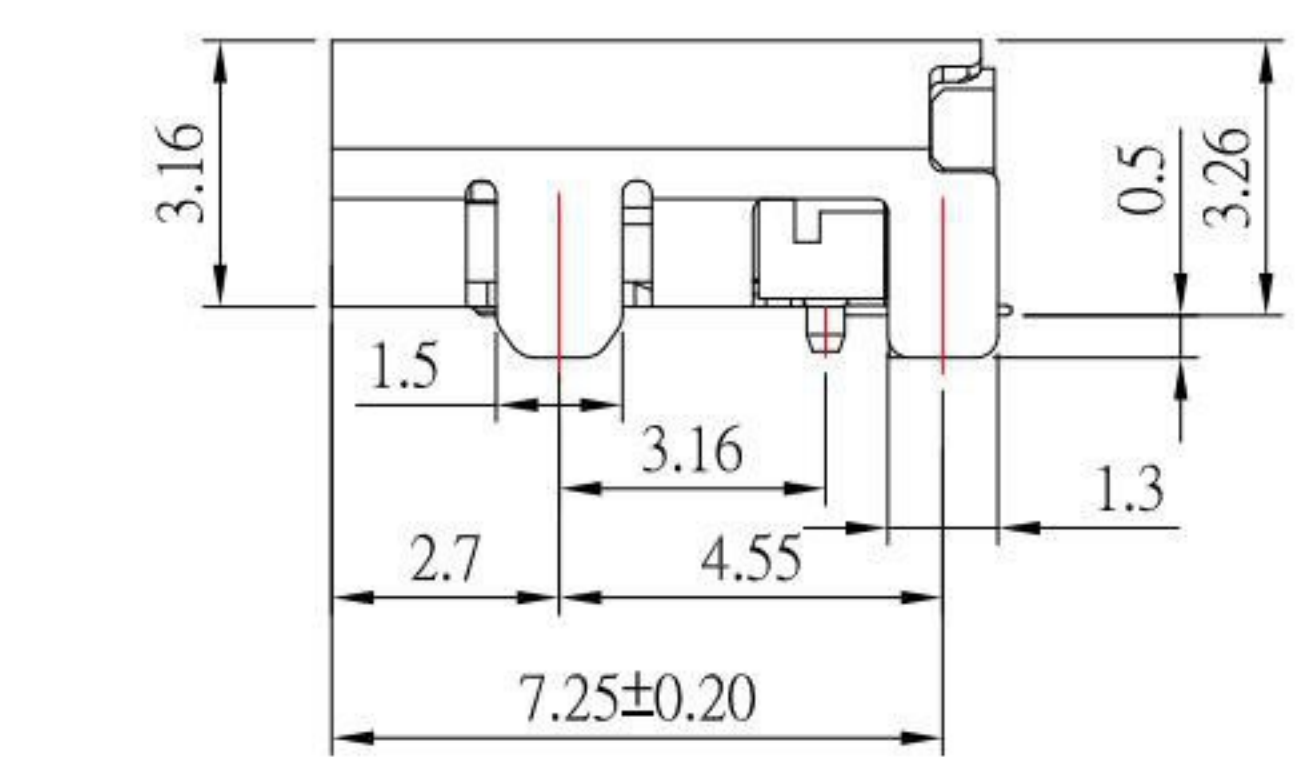
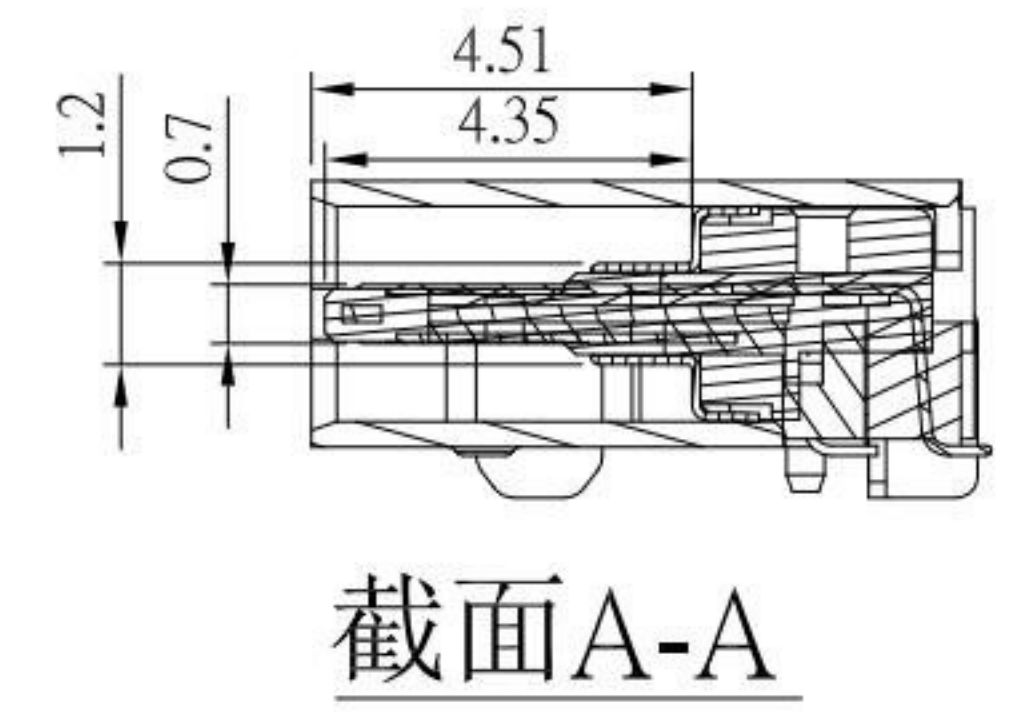
Finish:

- 1.Contact: Plated Gold in Mating Area ;
Gold Plated on Solder Balls ;
Nickel under plated overall
- 2.Shell: Nickel under Plated surface layer



USB TYPE-C PIN ASSIGNMENTS

PIN NUMBER	SIGNAL NAME	PIN NUMBER	SIGNAL NAME
A1	GND	B12	GND
A2	SSTXp1	B11	SSRXp1
A3	SSTXn1	B10	SSRXn1
A4	Vbus	B9	Vbus
A5	CC1	B8	SBU2
A6	Dp1	B7	Dn2
A7	Dn1	B6	Dp2
A8	SBU1	B5	CC2
A9	Vbus	B4	Vbus
A10	SSRXn2	B3	SSTXn2
A11	SSRXp2	B2	SSTXp2
A12	GND	B1	GND



ITEM NO.	DESCRIPTION	DRAWN	DATE
4	更新Contact材質	Jack	030923
3	更新Current Rating和Voltage Rating	Jack	080522
2	新增PCB LAYOUT	Jack	111121
1	更新樣式	Jack	011121

KSD 科斯达电子科技有限公司
 SWITCH CONNECTOR KSD ELECTRONIC TECHNOLOGY Co., LTD
 全球 互聯零組件製造企業

TOLERANCE UNLESS OTHERWISE STATED:

Up to 5	±0.2
Above 5 ~ 15	±0.3
Above 15 ~ 30	±0.4
Above 30 ~ 50	±0.5
Angle	±0.3°

3RD. ANGEL'S

UNITS: MM

DRAWN BY:	DATE	MAT'L	TITLE	CONNECTOR
Jack Lu	03/09/23		MODLE	USB 3.1 C TYPE SMT 板上雙貼
CHECKED BY:	DATE	FINISH	SCALE	DWG NO.
Jacky Chen	03/09/23		1 : 1	SBC-240S4-31x-S412
APPROVED BY:	DATE	SHEET NO.	PART NO.	SIZE
Tony Kao	03/09/23	1 of 1	SBC-240S4-31x-S412	A4
				VER R4