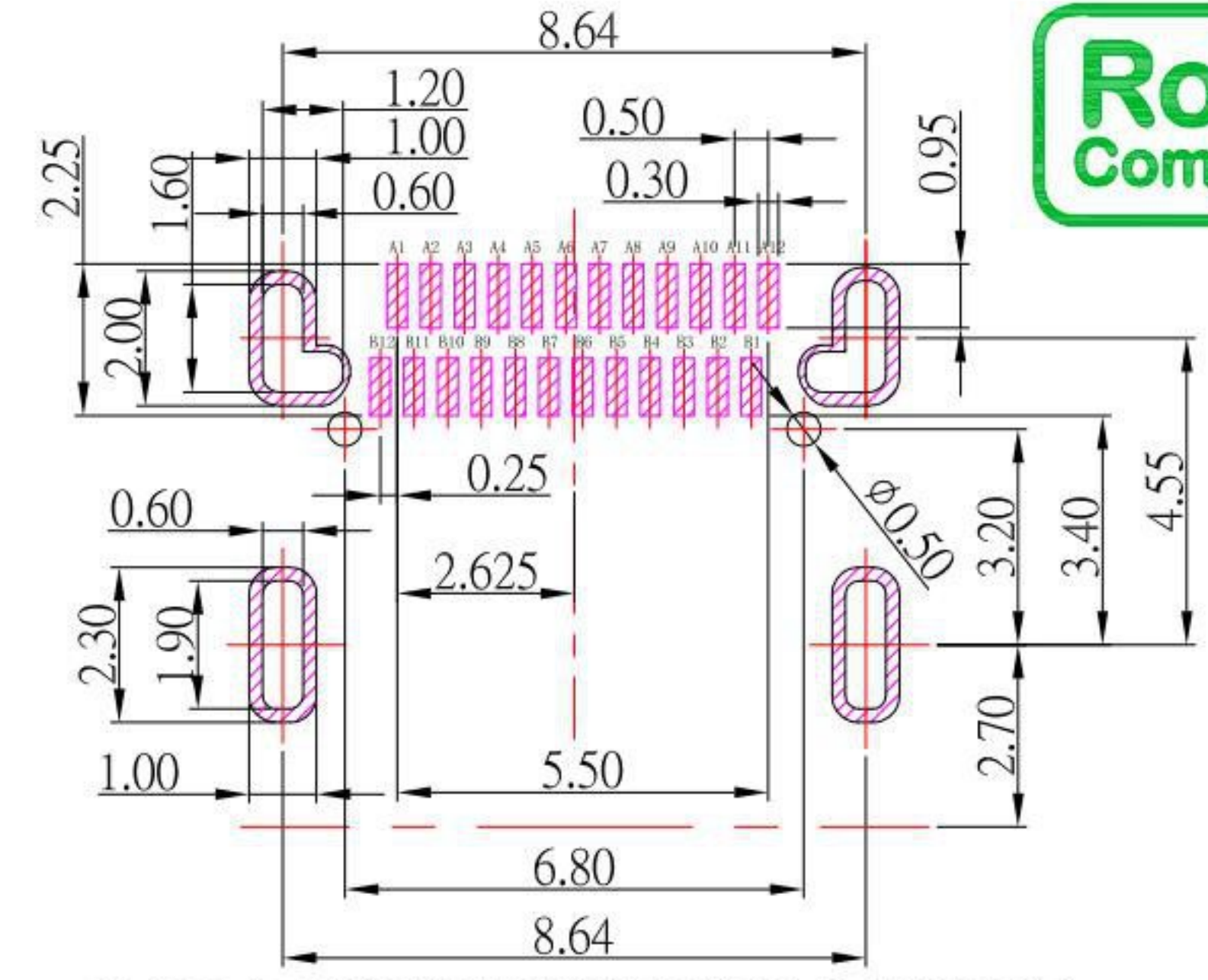
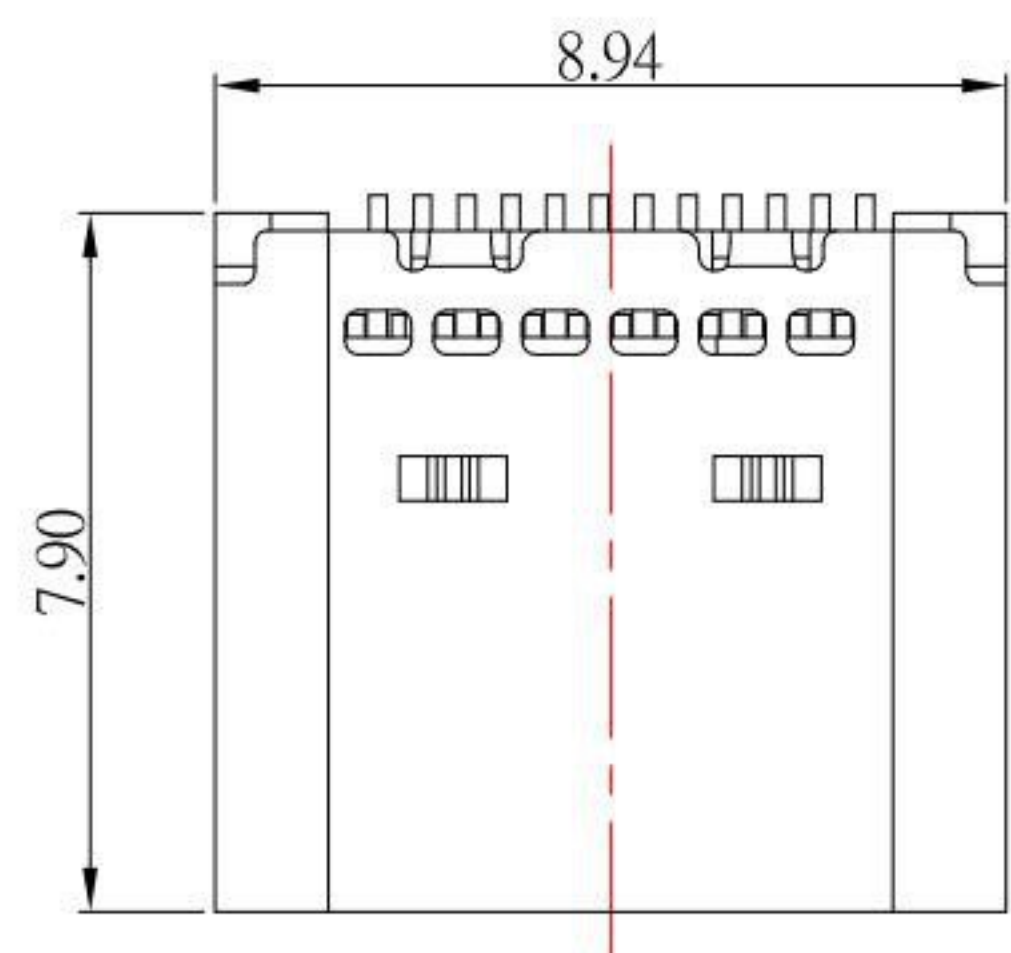




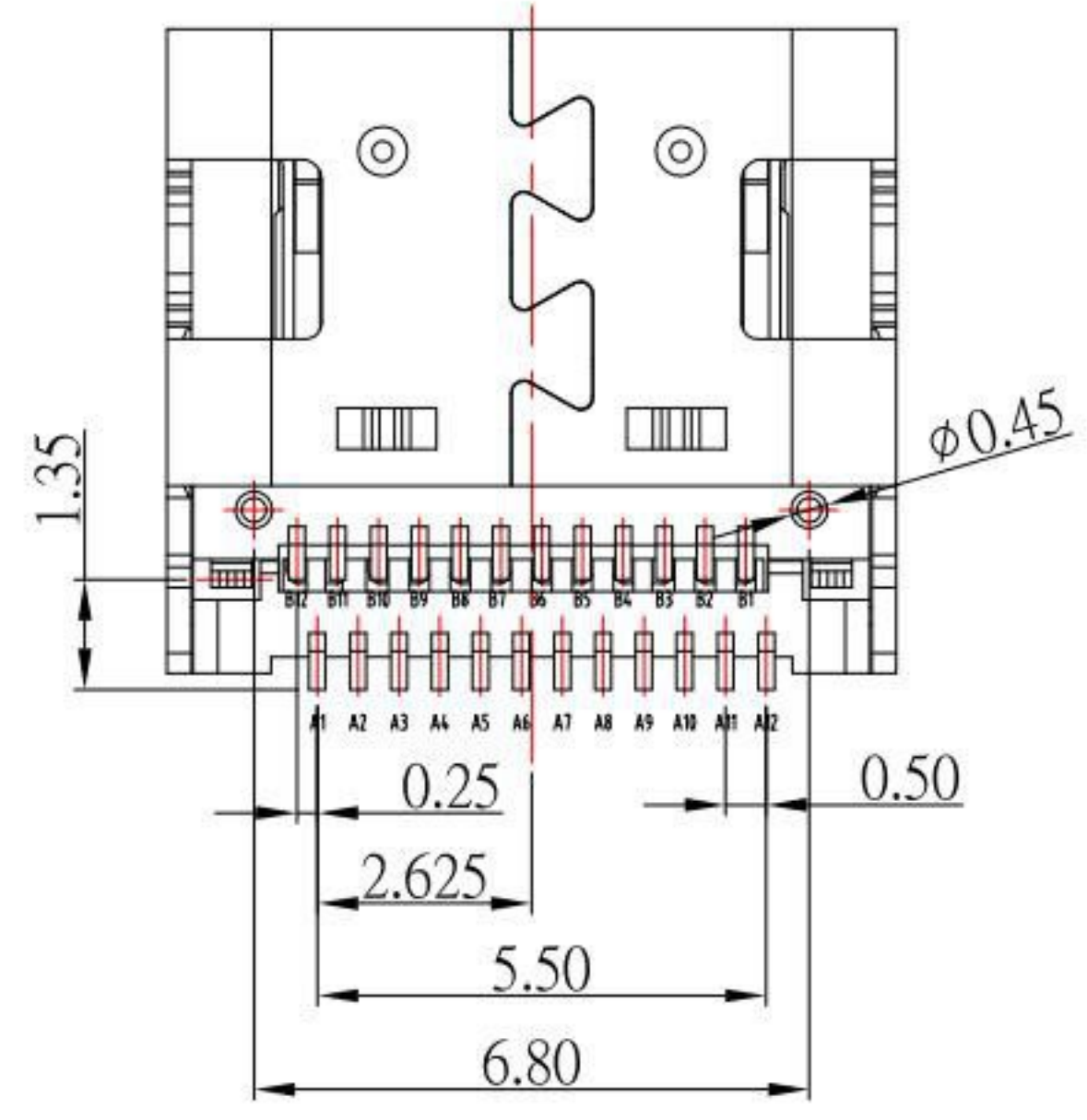
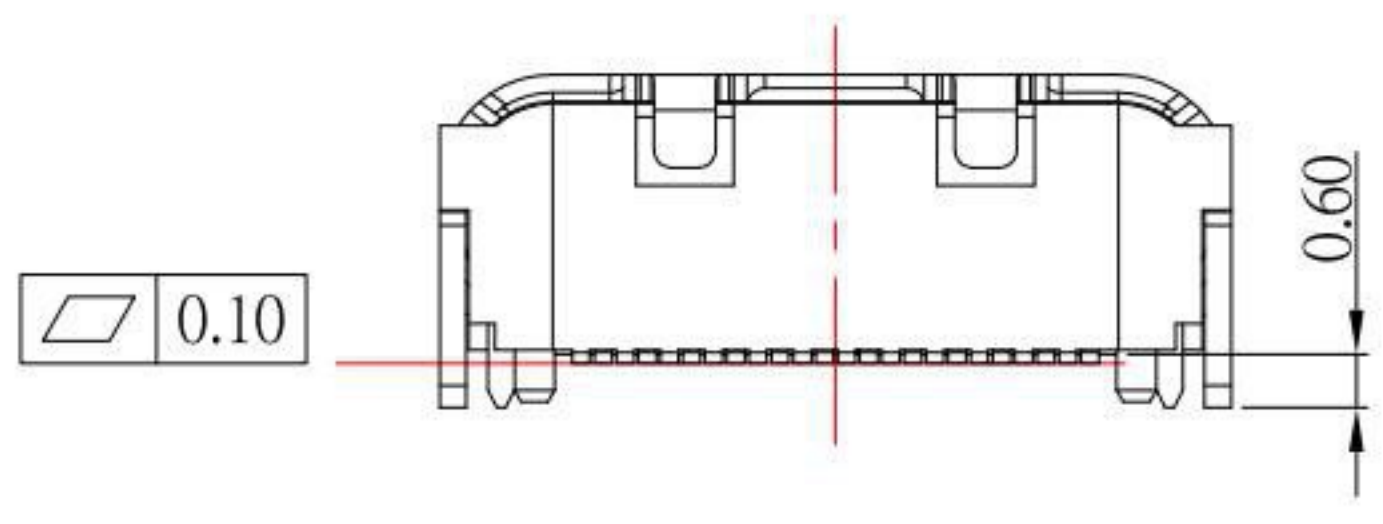
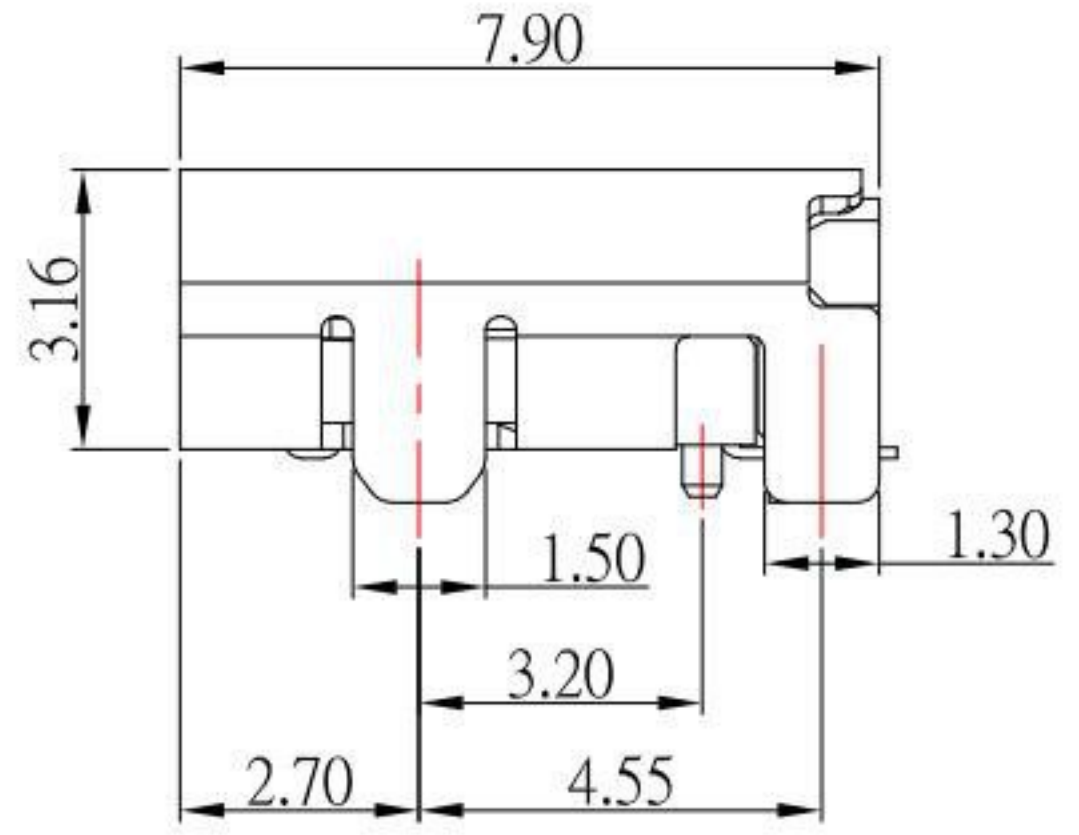
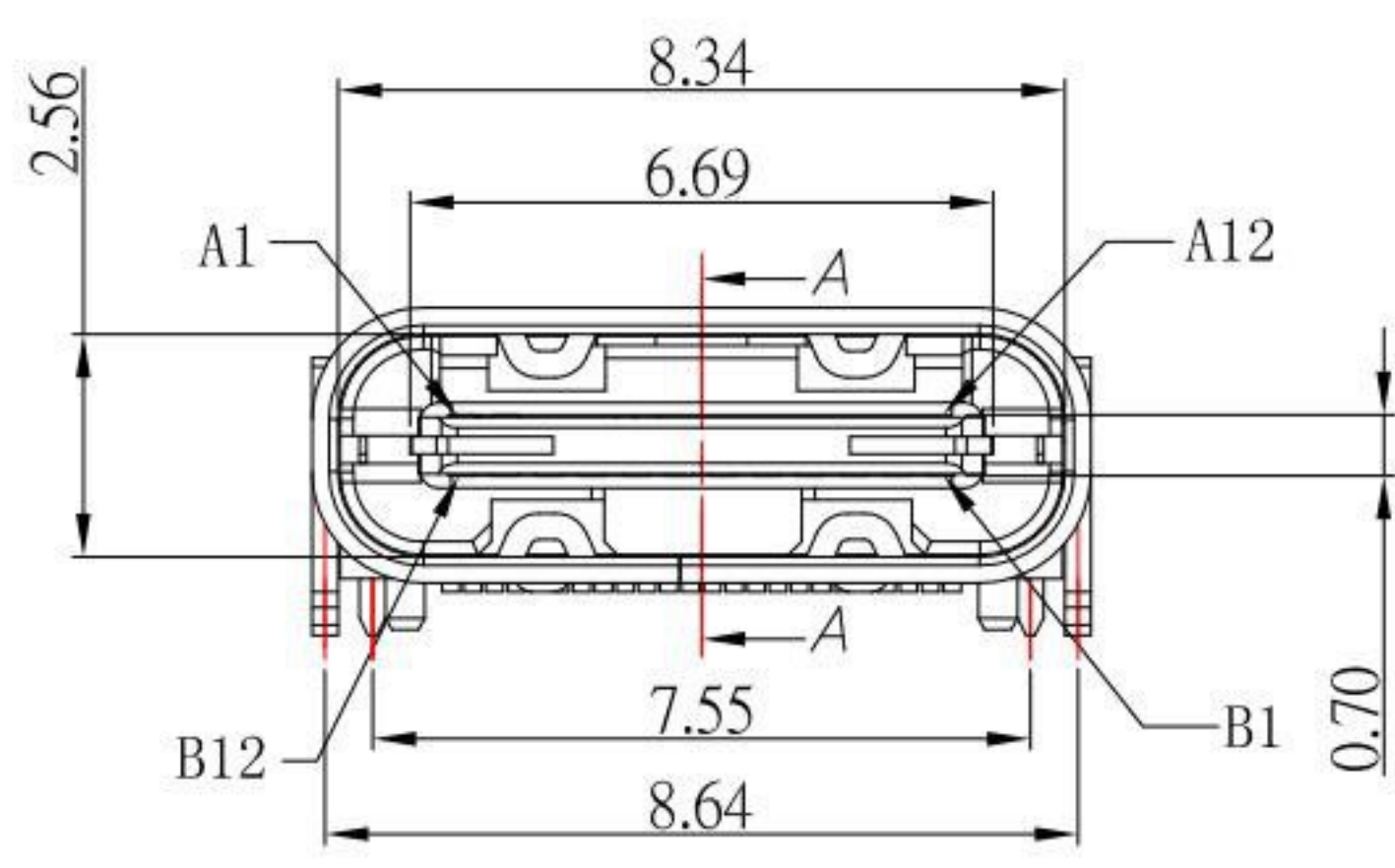
SBC-240S4-32x-S242

鍍層厚度:

Blank	: 1u"
2	: 15u"
3	: 30u"



P.C.B LAYOUT MOUNTING PATTERN



SPECIFICATIONS

Electrical:

1. Rating: 3.0 A
2. Dielectric Withstand Voltage: 100V AC
3. Contact Resistance: 40 mΩ Max
4. Insulation Resistance: 100 MΩ Min

Mechanical:

1. Connector Mate and Unmate Force
 - 1.1 Mate force: 5~20 N
 - 1.2 Unmate force: 8~20 N

Material:

1. Housing: LCP
2. Contact: Copper Alloy
3. Shell: SUS

Finish:

1. Contact: Plated Gold in Mating Area ;
Tin Plated on Solder Balls ;
Nickel under plated overall
2. Shell: Nickel under Plated surface layer

KSD 科斯达电子科技有限公司
 SWITCH CONNECTOR KSD ELECTRONIC TECHNOLOGY Co., LTD
 全球 互聯零組件製造企業

TOLERANCE UNLESS OTHERWISE STATED:	Up to 5 ±0.2	3RD. ANGEL'S	UNITS	MM
	Above 5 ~ 15 ±0.3			
	Above 15 ~ 30 ±0.4			
	Above 30 ~ 50 ±0.5			
	Angle ±0.3°			

DRAWN BY:	DATE	MAT'L	TITLE	CONNECTOR
Jack Lu	11/09/22			
CHECKED BY:	DATE	FINISH	MODLE	TYPE CF 雙排 SMT 有柱 GEN 2
Jacky Chen	11/09/22			
APPROVED BY:	DATE	SCALE	DWG NO.	SBC-240S4-32x-S242
Tony Kao	11/09/22	1 : 1	PART NO.	SBC-240S4-32x-S242
		SHEET NO.	1 of 1	

1	新增PCBLAYOUT尺寸	Jack	110922
ITEM NO.	DESCRIPTION	DRAWN	DATE