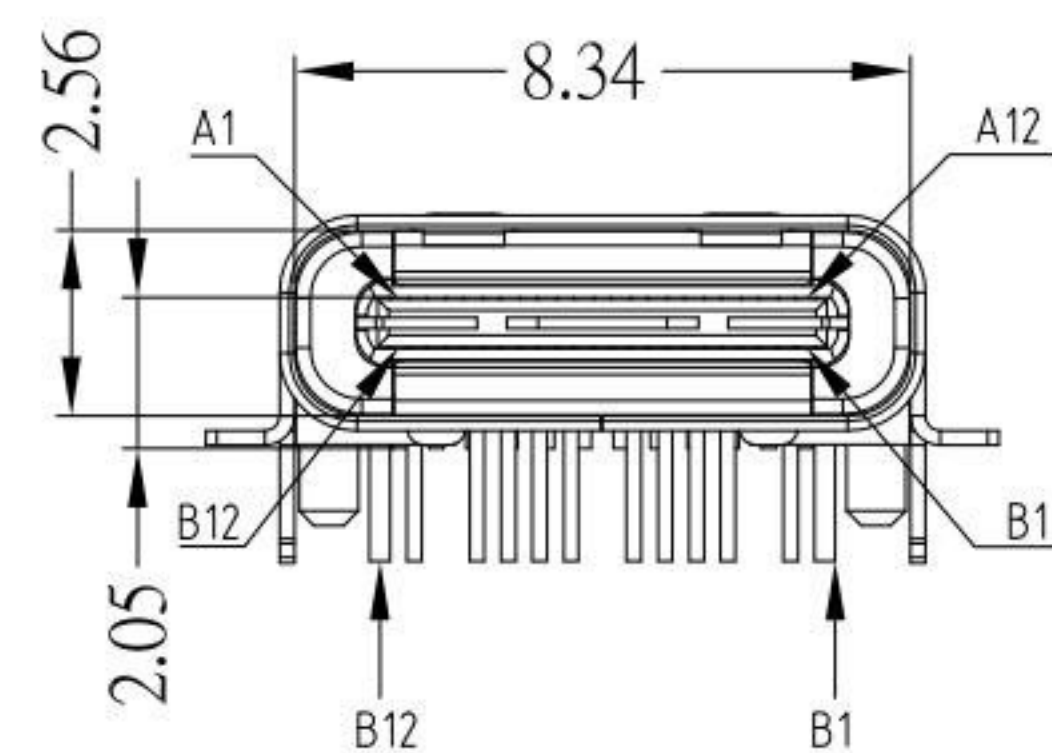
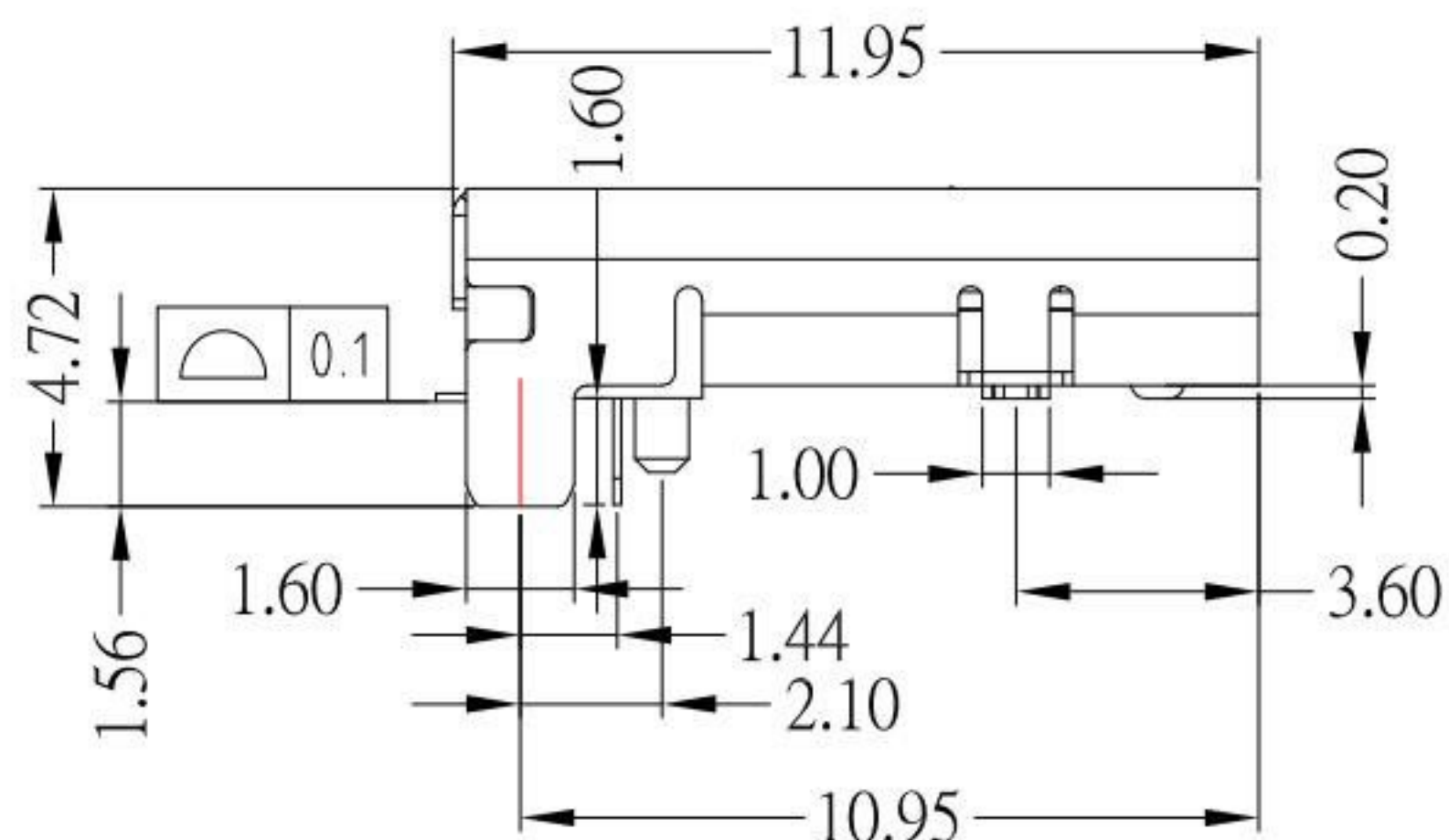
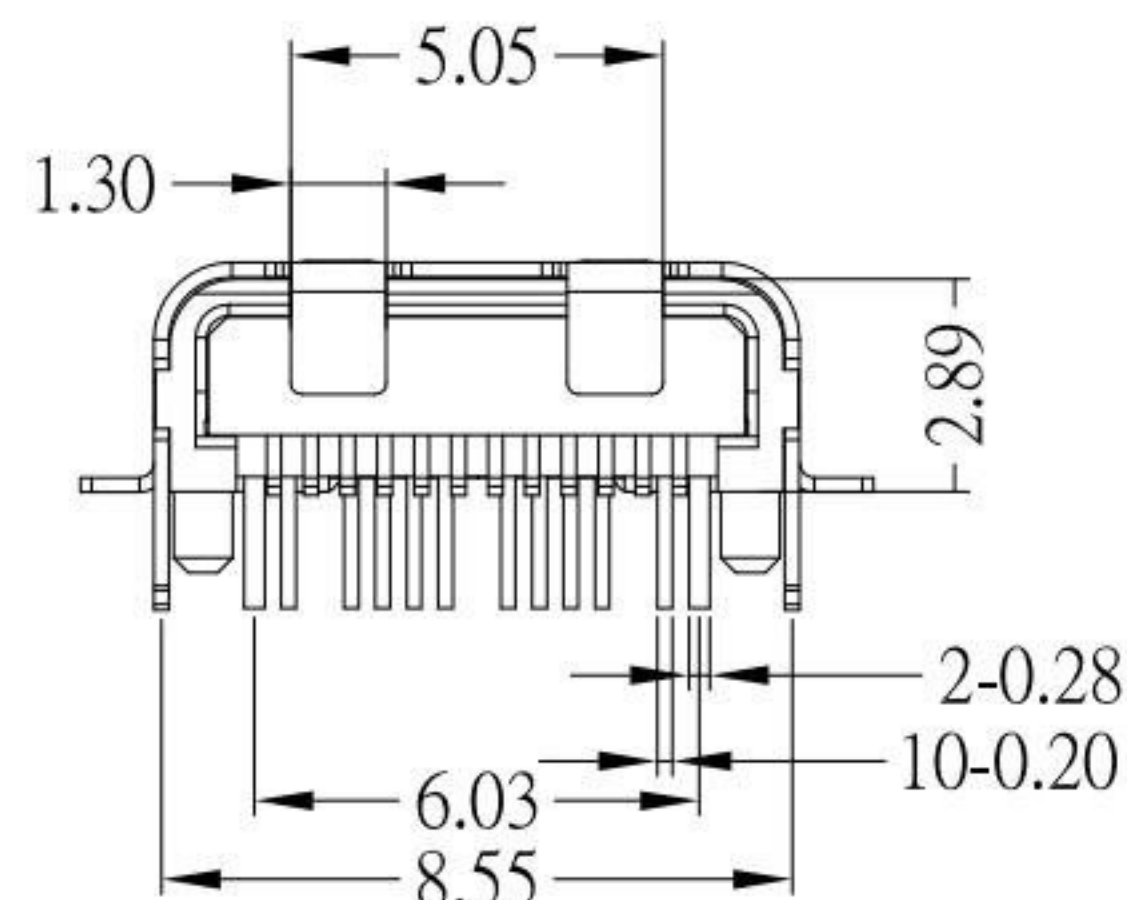
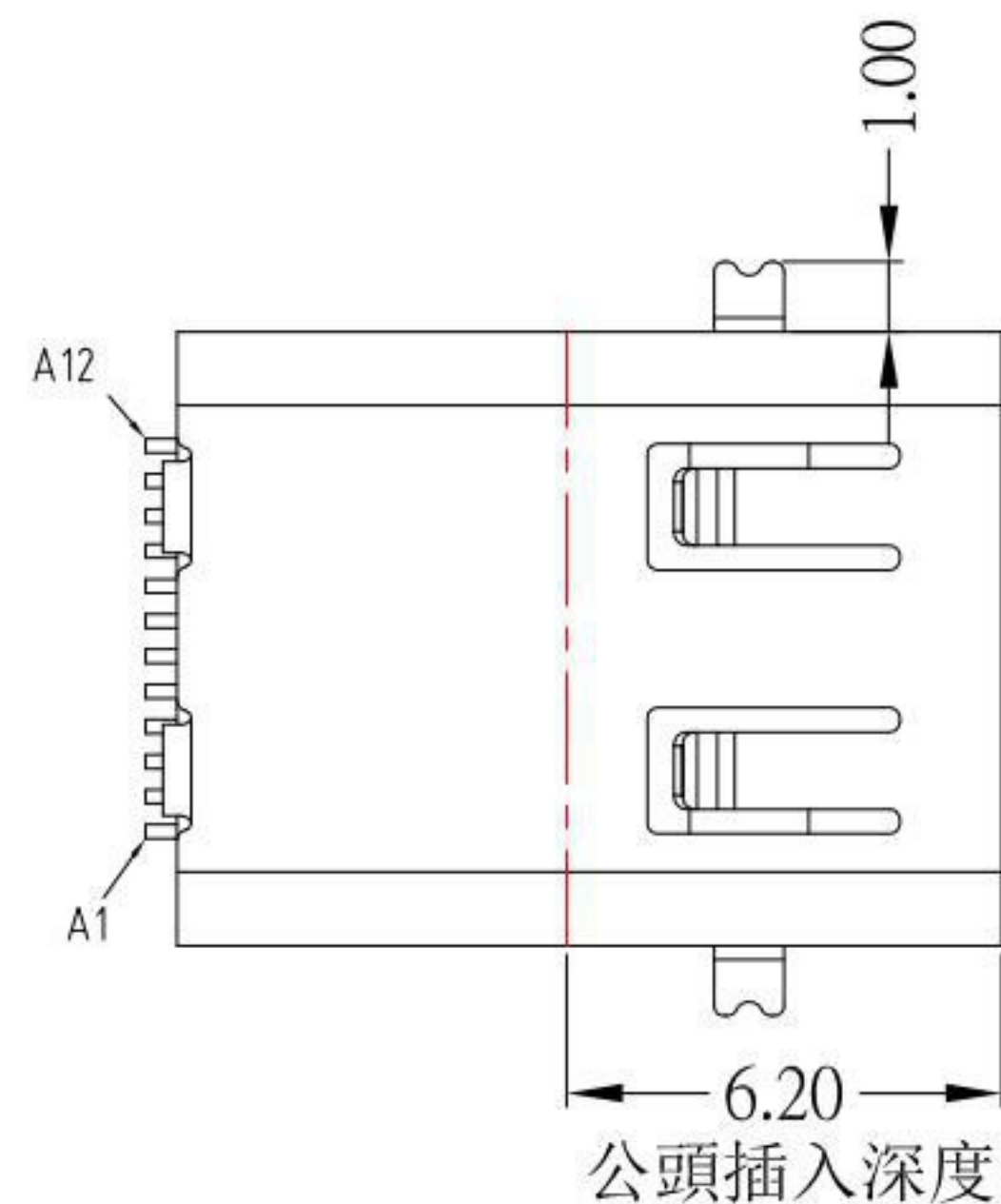
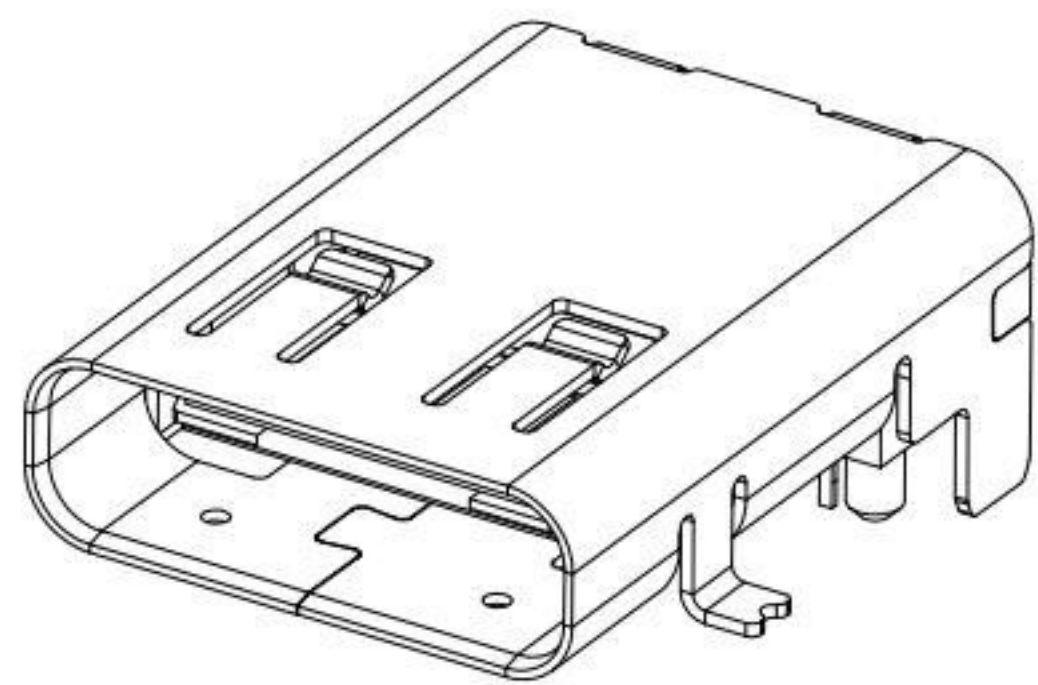




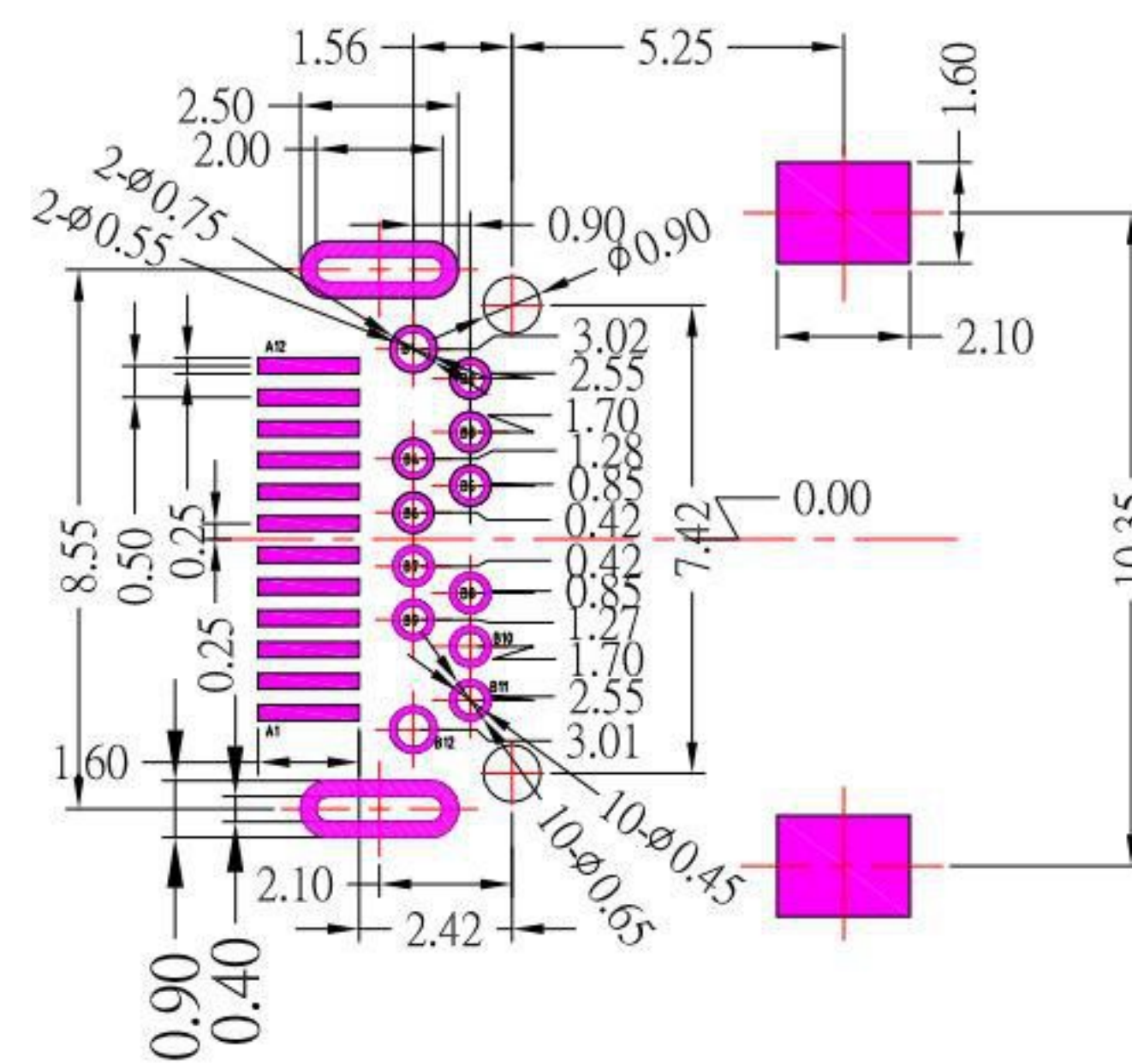
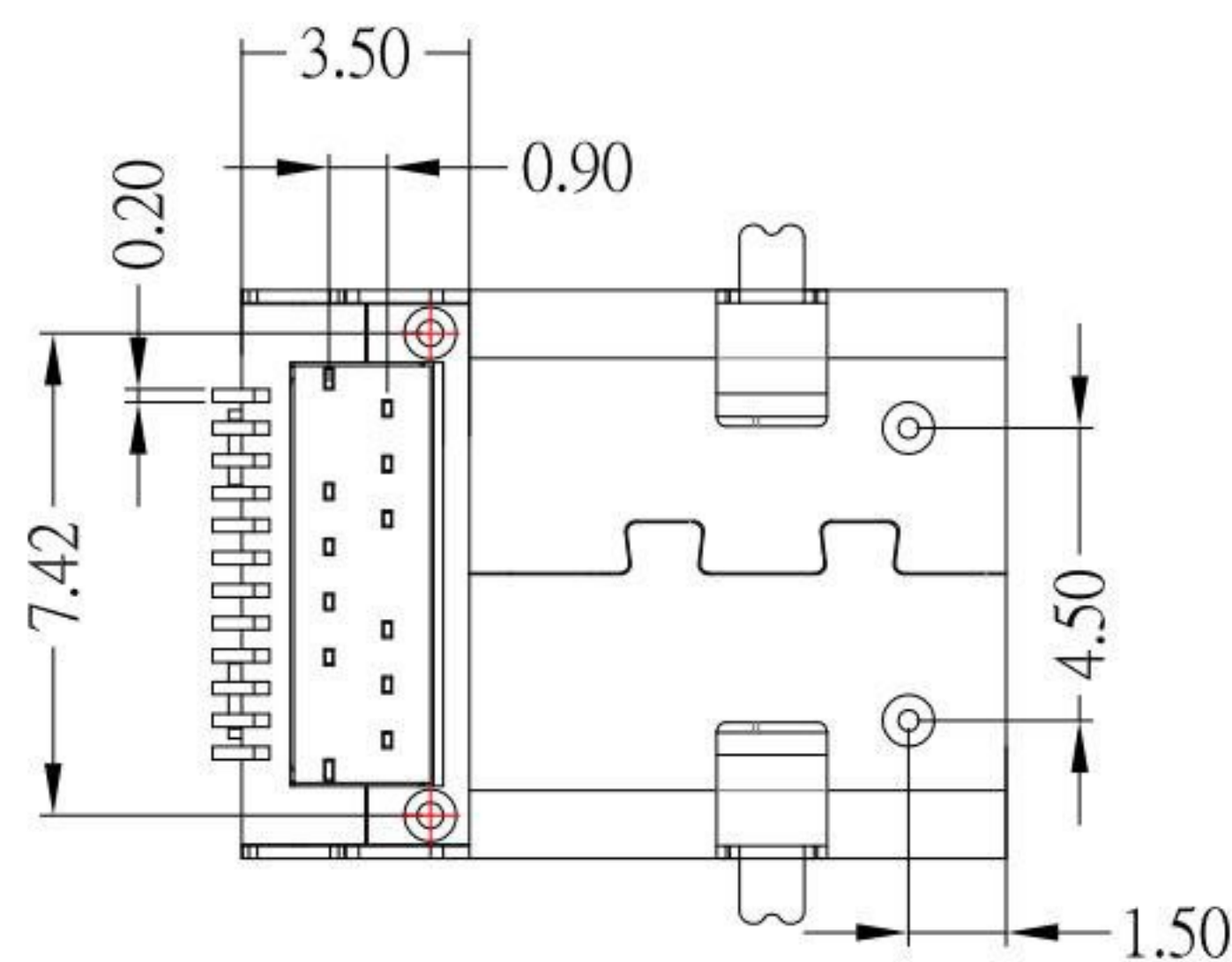
# SBC-240S6-31x-S271

鍍層厚度：

Blank	: 1u"
2	: 15u"
3	: 30u"



A1	GND	B12	GND
A2	SSTXP1	B11	SSRXP1
A3	SSTXN1	B10	SSRXN1
A4	VBUS	B9	VBUS
A5	CC1	B8	SBU2
A6	DP1	B7	DN2
A7	DN1	B6	DP2
A8	SBU1	B5	CC2
A9	VBUS	B4	VBUS
A10	SSRXN2	B3	SSTXN2
A11	SSRXP2	B2	SSTXP2
A12	GND	B1	GND
IN	SIGNAL NAMF	PIN	SIGNAL NAMF



## SPECIFICATIONS

### Electrical:

1. Rating: 5.0 A
2. Dielectric Withstand Voltage: 250V AC
3. Contact Resistance: 30 mΩ Max
4. Insulation Resistance: 100 MΩ Min

### Material:

1. Housing: LCP
2. Contact: C7025
3. Shell: SUS

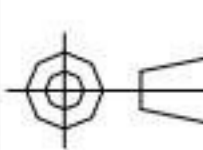
### Finish:

1. Contact: Plated Gold in Mating Area ;  
Tin Plated on Solder Balls ;  
Nickel under plated overall
2. Shell: Nickel under Plated surface layer

**KSD** 科斯达电子科技有限公司  
SWITCH CONNECTOR KSD ELECTRONIC TECHNOLOGY Co., LTD  
全球 互联零组件制造企业

TOLERANCE UNLESS OTHERWISE STATED:  
Up to 5 ±0.2  
Above 5 ~ 15 ±0.3  
Above 15 ~ 30 ±0.4  
Above 30 ~ 50 ±0.5  
Angle ±0.3°

3RD. ANGEL'S



UNITS MM

DRAWN BY: Jack Lu  
DATE: 01/17/23  
CHECKED BY: Jacky Chen  
DATE: 01/17/23  
APPROVED BY: Tony Kao  
DATE: 01/17/23

MAT'L  
FINISH  
SCALE: 1:1  
SHEET NO. 1 of 1

TITLE: CONNECTOR  
MODLE: TYPE C 板上 前SMT後DIP 加長型 L:12.0  
DWG NO.: SBC-240S6-31x-S271  
PART NO.: SBC-240S6-31x-S271

SIZE: A4  
VER: R4

4	新增尺寸	Jack	011723
3	更新Contact材質	Jack	113022
2	新增PIN長度尺寸	Jack	032421
1	新增pcb layout尺寸	Jack	072320
ITEM NO.	DESCRIPTION	DRAWN	DATE