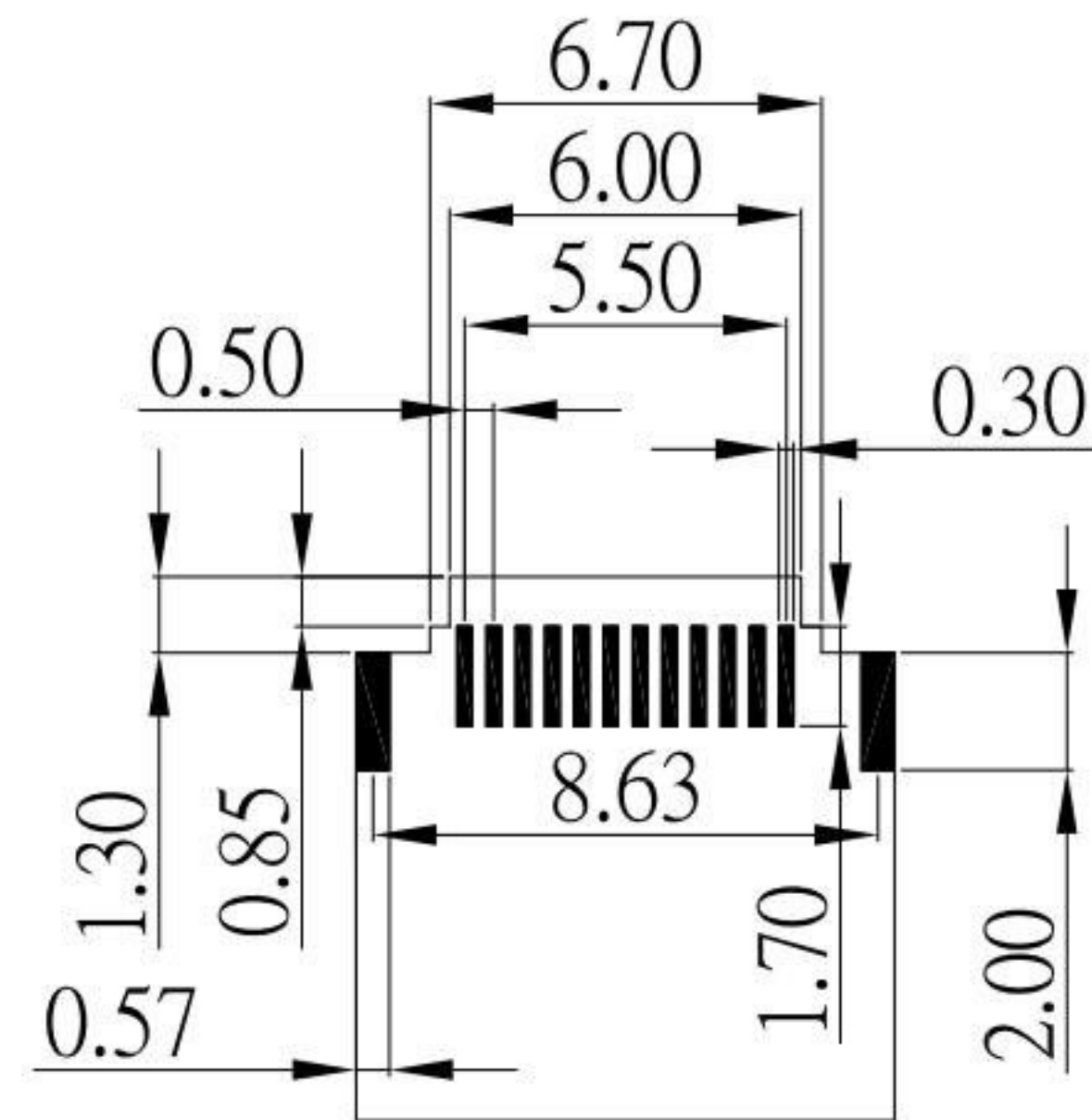
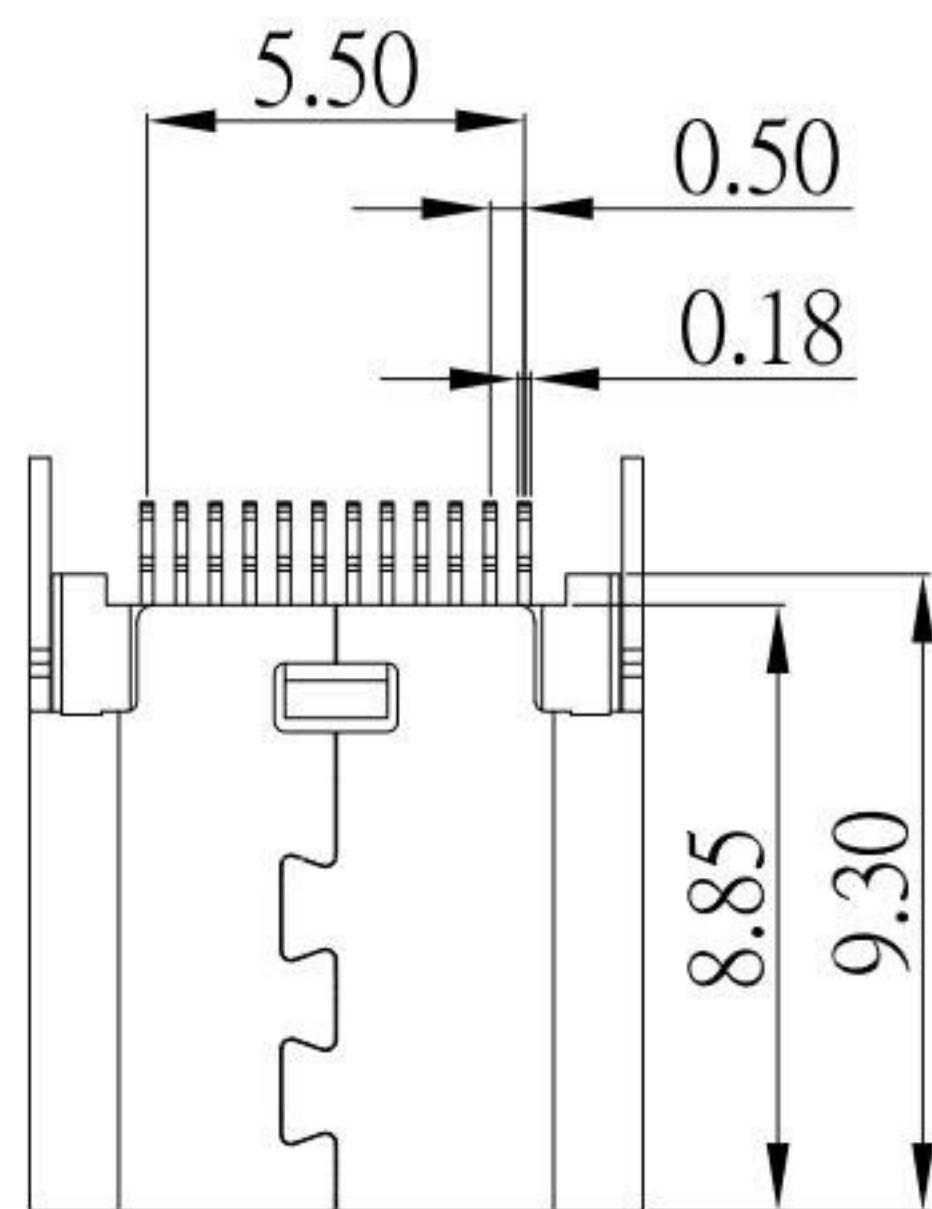
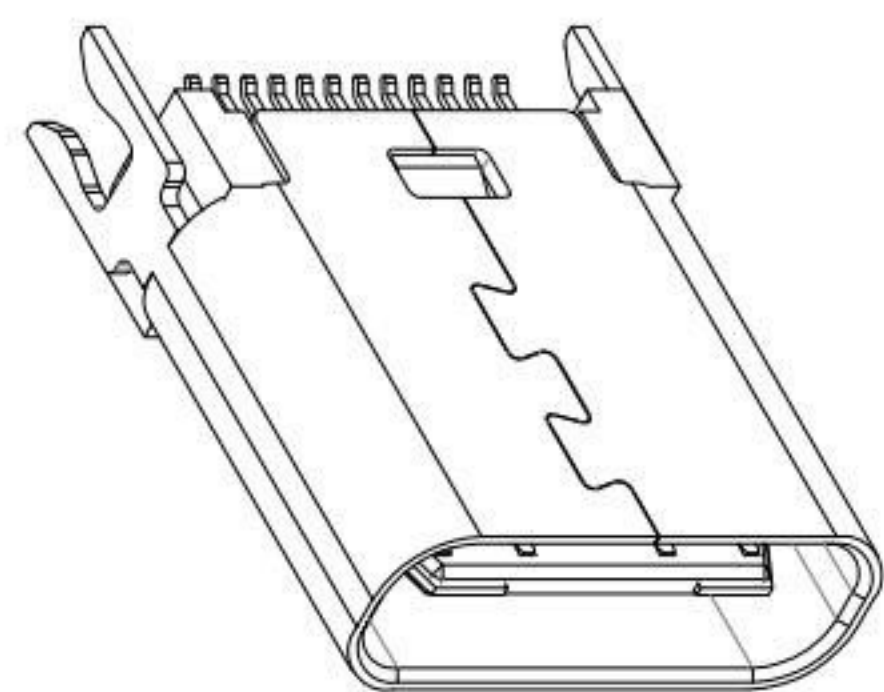




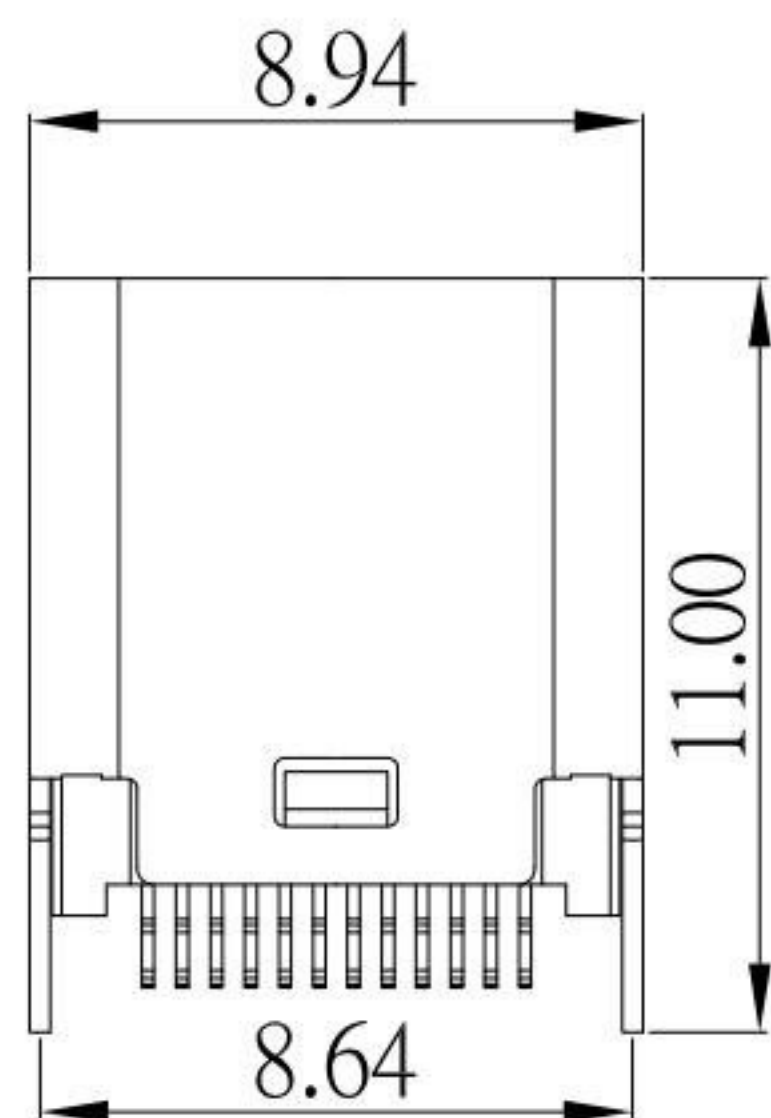
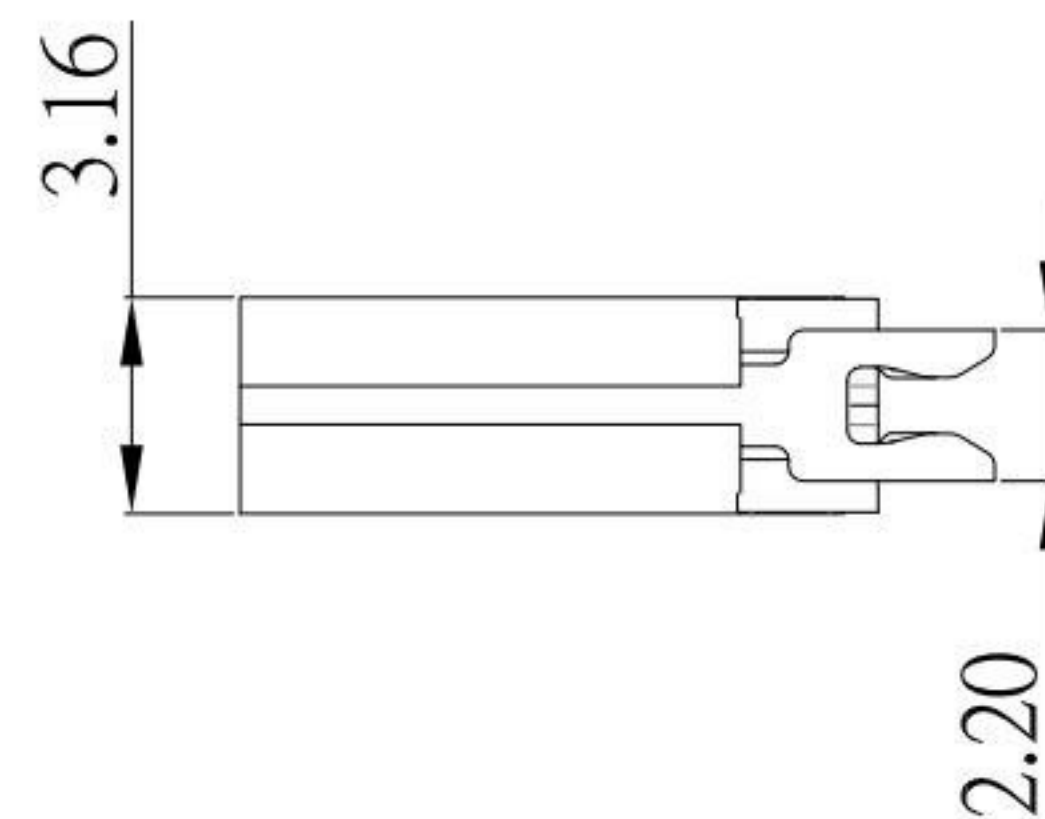
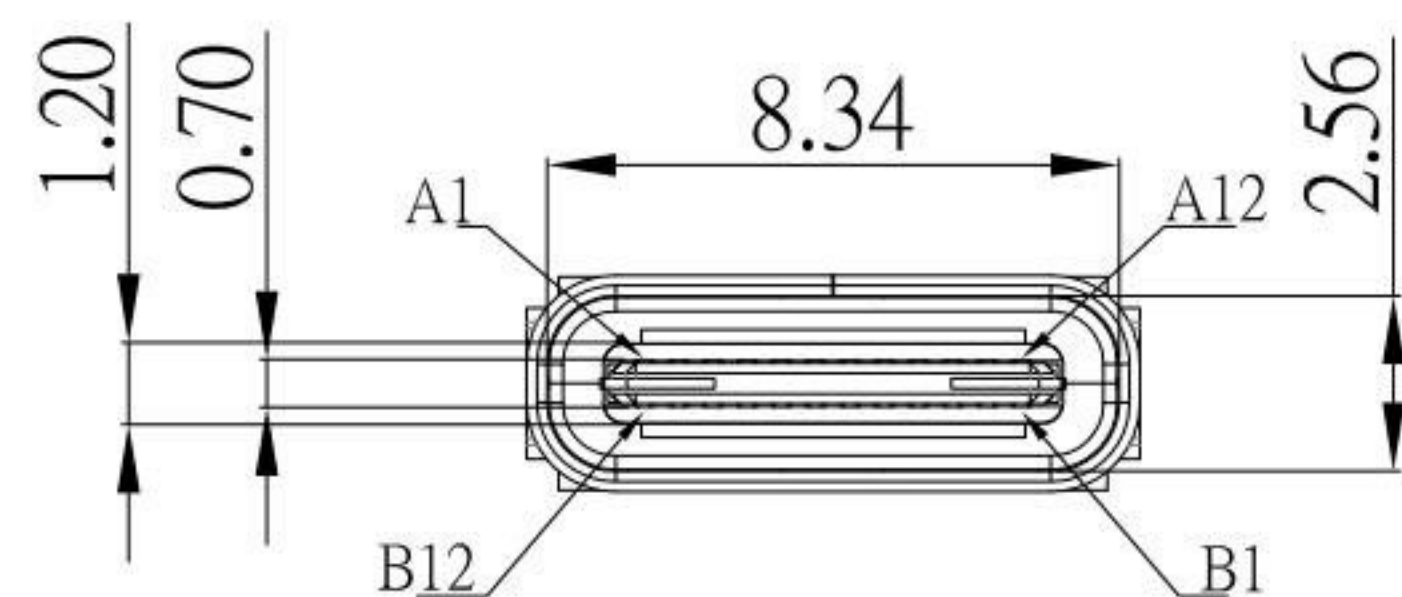
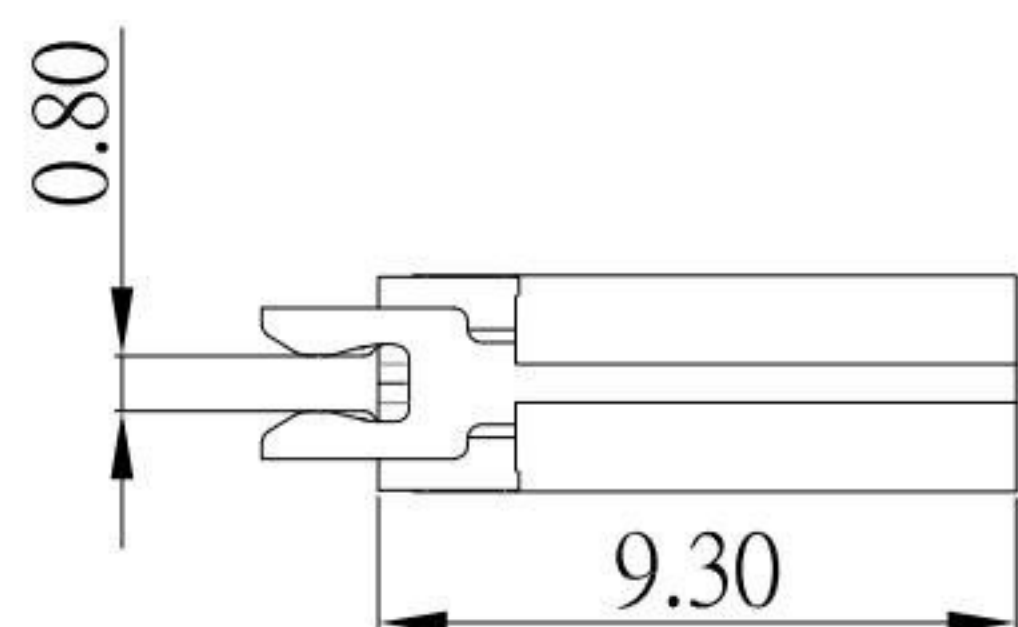
SBC-240V4-31x-S271

鍍層厚度:

Blank	1u"
2	15u"
3	30u"



PCB LAYOUT



SPECIFICATIONS

Electrical:

- 1.Rating: 3.0 A
- 2.Dielectric Withstand Voltage: 100V AC
- 3.Contact Resistance: 40 mΩ Max
- 4.Insulation Resistance: 100 MΩ Min

Material:

- 1.Housing: LCP,UL 94V-0
- 2.Contact: C1814
- 3.Shell: SUS

Finish:

- 1.Contact: Plated Gold in Mating Area ;
Tin Plated on Solder Balls ;
Nickel under plated overall
- 2.Shell: Nickel under Plated surface layer

KSD 科斯达电子科技有限公司
SWITCH CONNECTOR KSD ELECTRONIC TECHNOLOGY Co., LTD
全球 互联零组件制造企业

TOLERANCE UNLESS OTHERWISE STATED:	Up to 5 ±0.2	3RD. ANGEL'S	UNITS	MM
	Above 5 ~ 15 ±0.3			
	Above 15 ~ 30 ±0.4			
	Above 30 ~ 50 ±0.5			
	Angle ±0.3°			

DRAWN BY:	DATE	MAT'L	TITLE	CONNECTOR
Jack Lu	01/12/23		MODLE	USB 3.1 TYPE C 夾板母座
CHECKED BY:	DATE	FINISH	DWG NO.	SBC-240V4-31x-S271
Jacky Chen	01/12/23		PART NO.	SBC-240V4-31x-S271
APPROVED BY:	DATE	SCALE	1 : 1	
Tony Kao	01/12/23	SHEET NO.	1 of 1	

2	更新Contact材質	Jack	011223
1	新增pcb layout	Jack	081617
ITEM NO.	DESCRIPTION	DRAWN	DATE