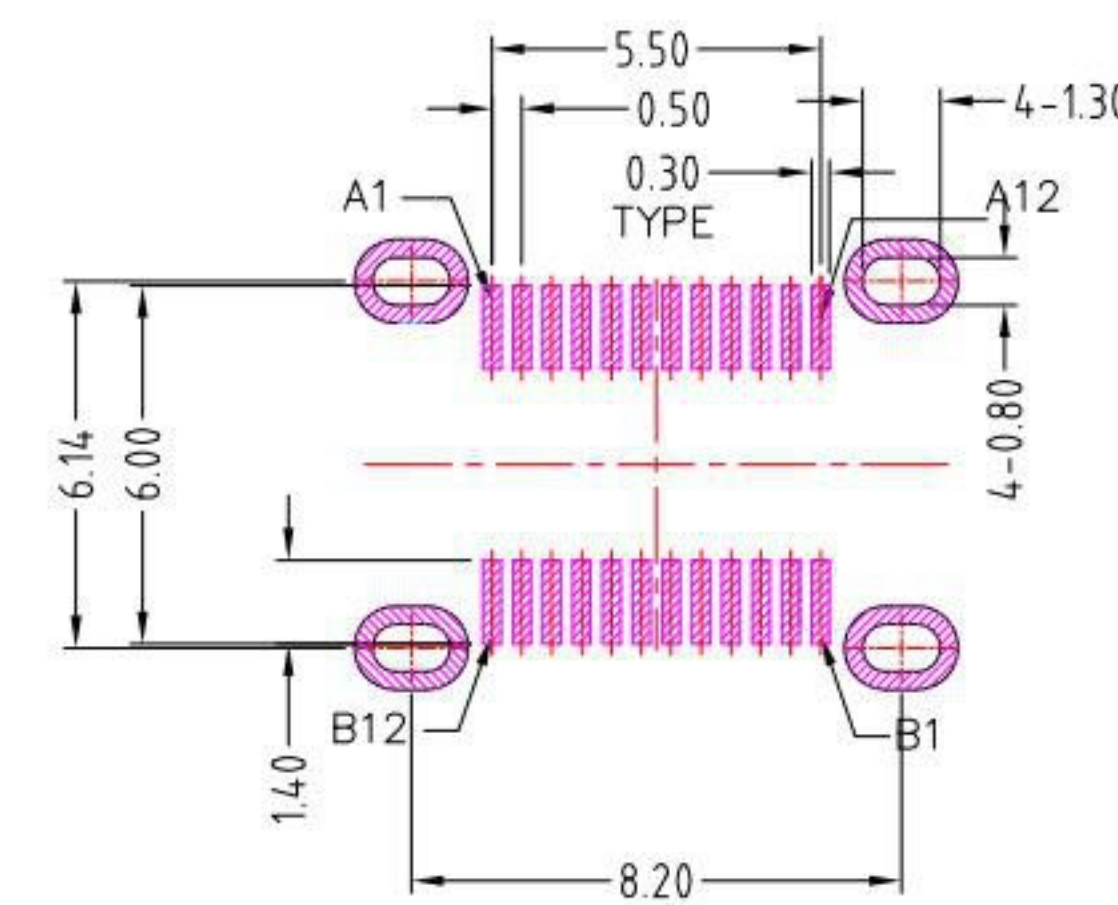




# SBC-240VSE5-31x-S277

鍍層厚度:

Blank : 1u"
2 : 15u"
3 : 30u"



RECOMMEND P.C.B LAYOUT

## SPECIFICATIONS

### Electrical:

1. Dielectric Withstand Voltage: 100V AC
2. Contact Resistance: 40 mΩ Max
3. Insulation Resistance: 100 MΩ Min

### Mechanical:

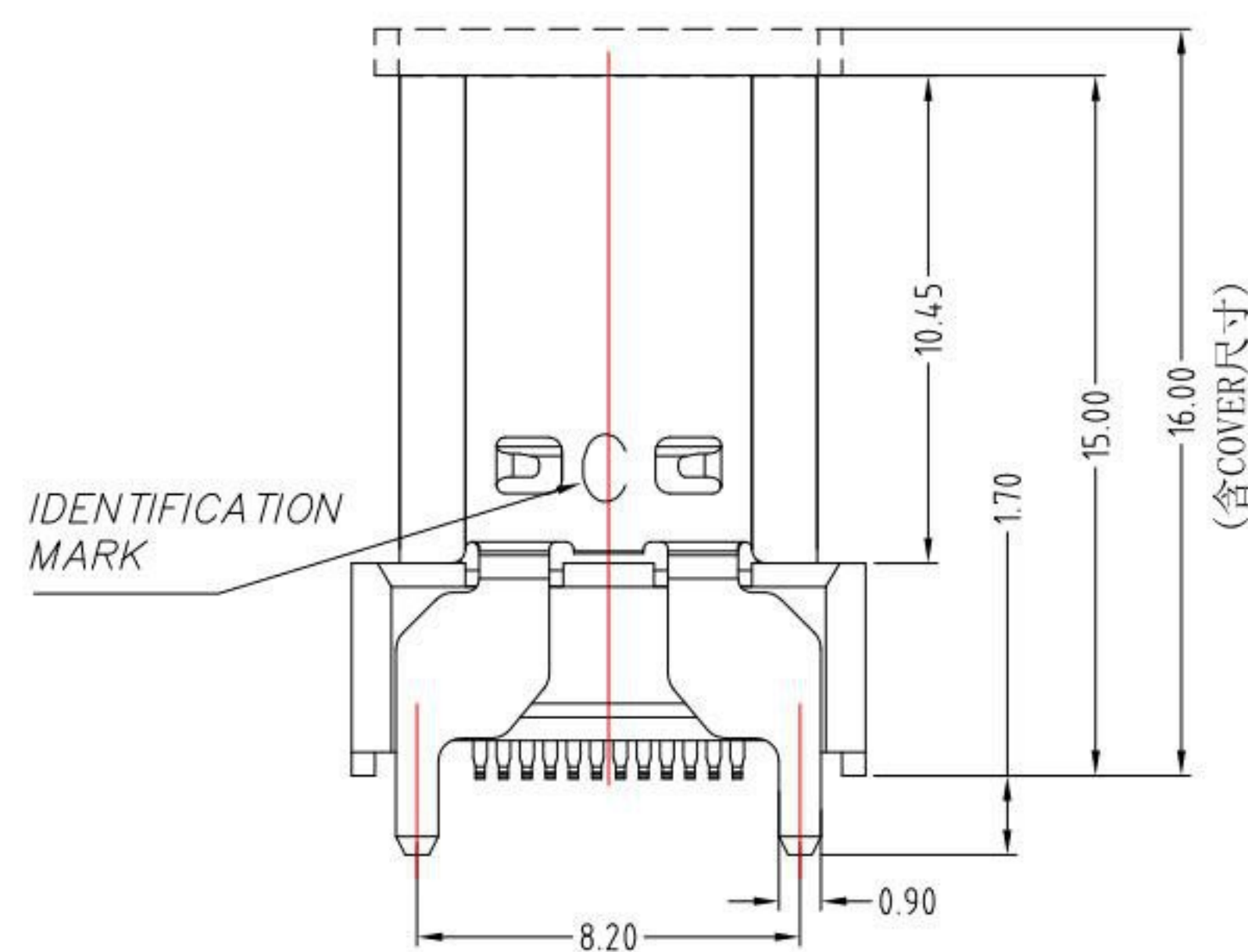
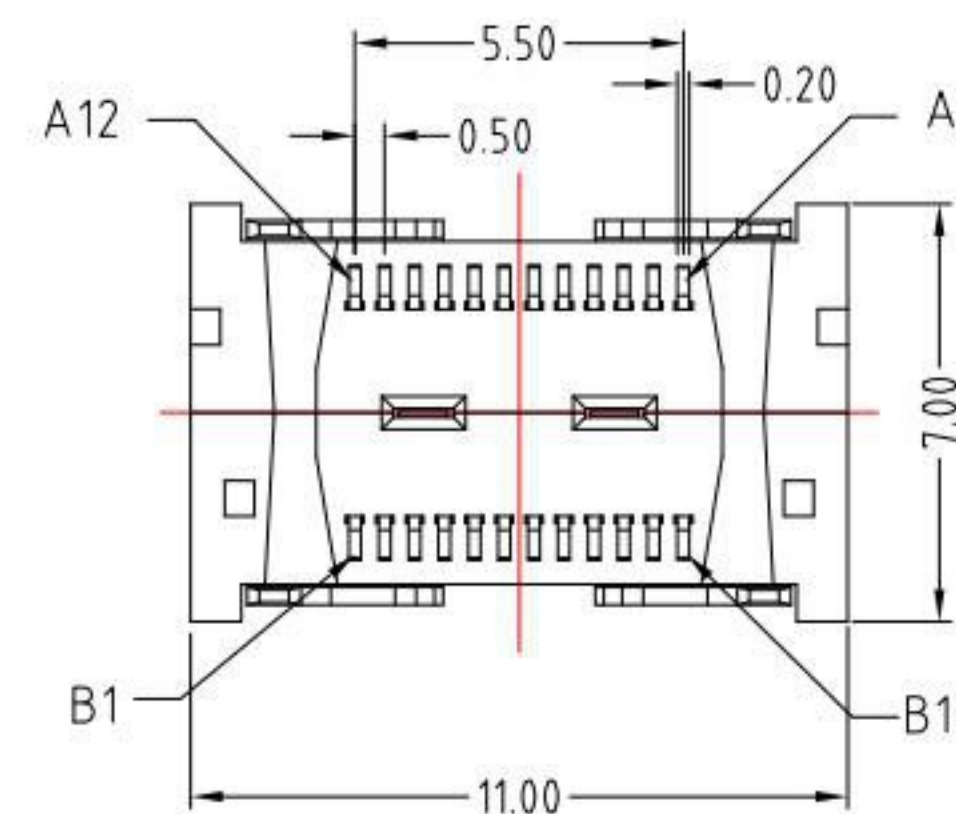
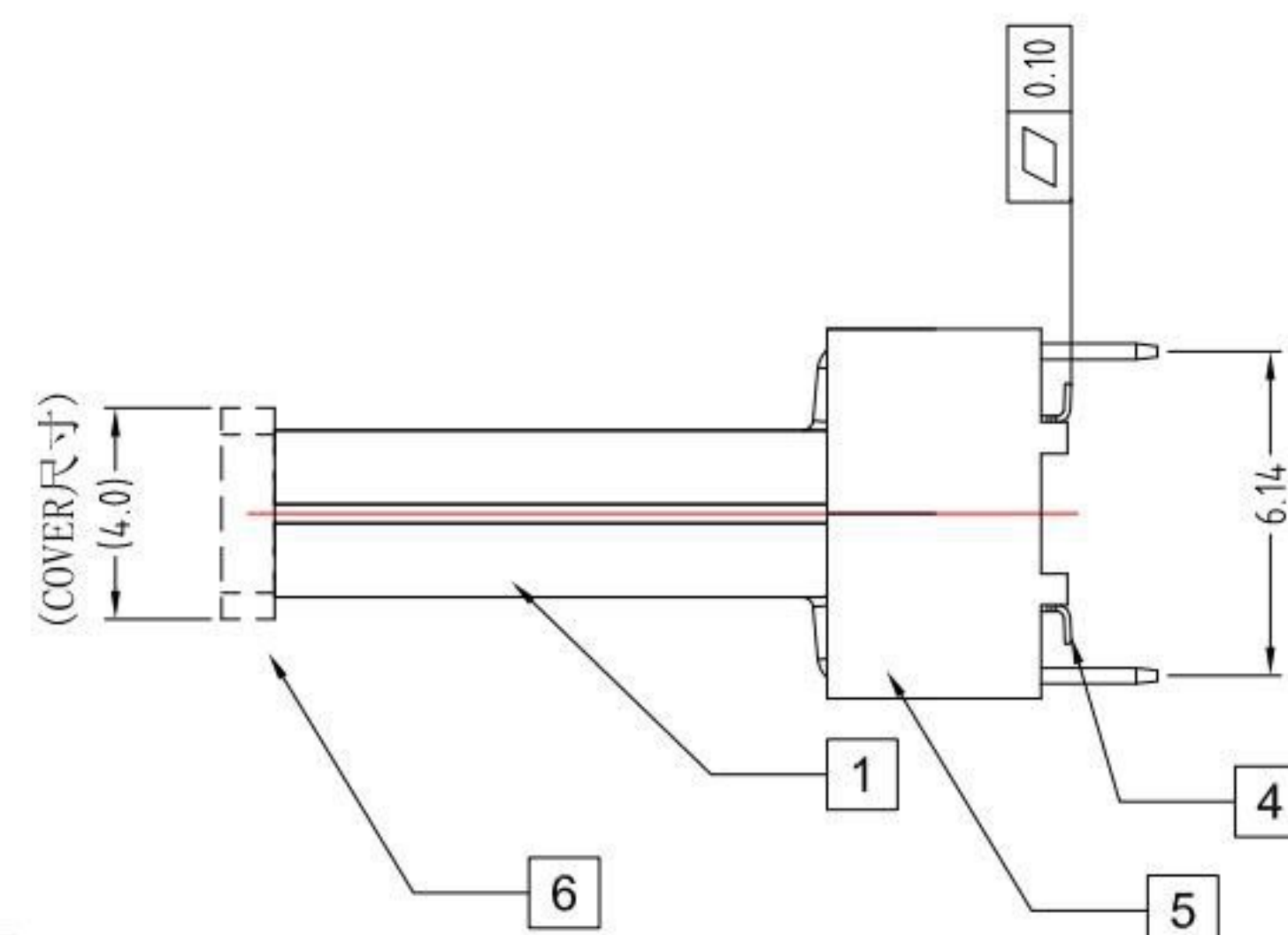
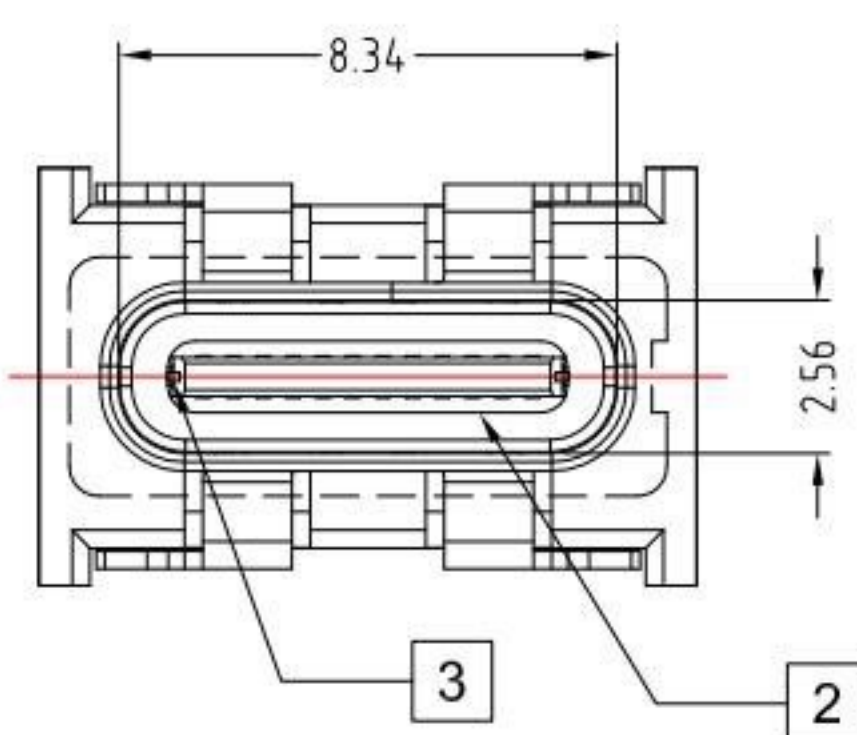
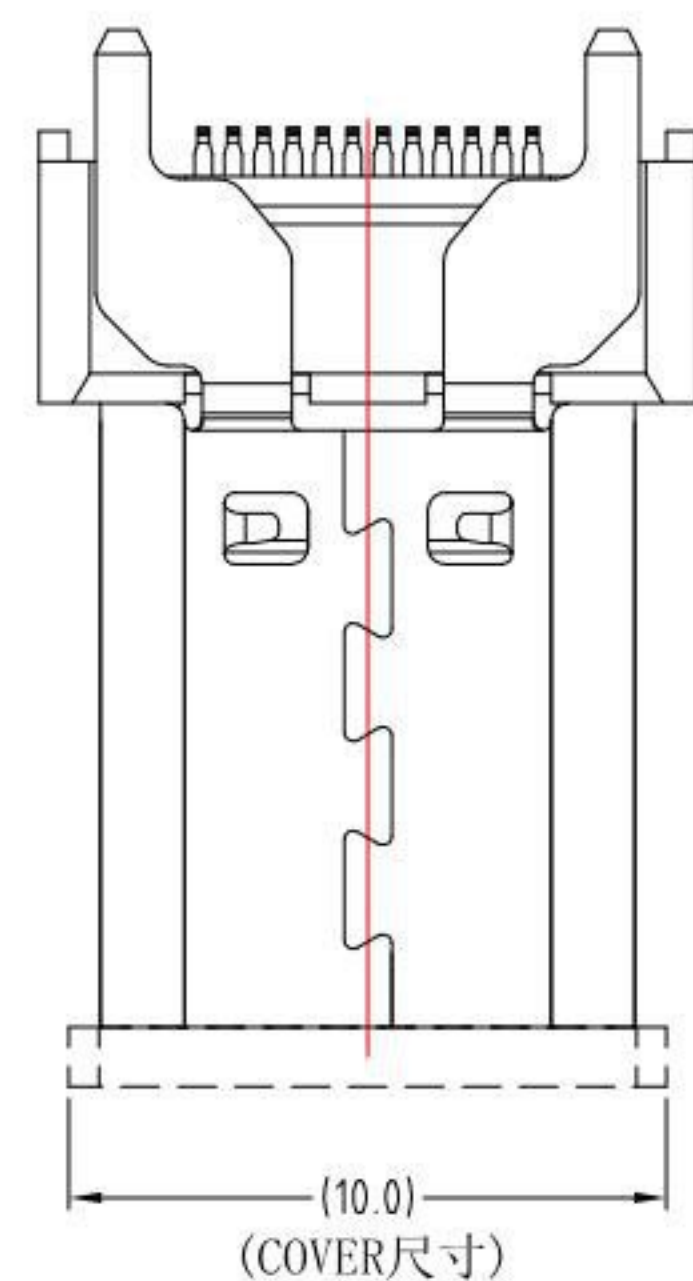
1. Connector Mate and Unmate Force
  - 1.1 Mate force: 5~20 N
  - 1.2 Unmate force: 8~20 N

### Material:

1. Housing: LCP
2. Contact: Copper Alloy
3. Shell: SUS

### Finish:

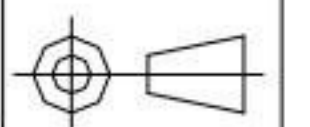
1. Contact: Plated Gold in Mating Area ;  
Tin Plated on Solder Balls ;  
Nickel under plated overall
2. Shell: Nickel under Plated surface layer



**KSD** 科斯达电子科技有限公司  
SWITCH CONNECTOR KSD ELECTRONIC TECHNOLOGY Co., LTD  
全球 互联零组件制造企业

TOLERANCE UNLESS OTHERWISE STATED:  
Up to 5 ±0.2  
Above 5 ~ 15 ±0.3  
Above 15 ~ 30 ±0.4  
Above 30 ~ 50 ±0.5  
Angle ±0.3°

3RD. ANGEL'S



UNITS

MM

DRAWN BY: Jack Lu  
DATE: 01/28/21  
CHECKED BY: Jacky Chen  
DATE: 01/28/21  
APPROVED BY: Tony Kao  
DATE: 01/28/21

MAT'L		TITLE	CONNECTOR
FINISH		MODLE	TYPE C FEMALE VERTICAL H:15.0mm SMT TYPE
SCALE	1 : 1	DWG NO.	SBC-240VSE5-31x-S277
SHEET NO.	1 of 1	PART NO.	SBC-240VSE5-31x-S277
		SIZE	A4
		VER	R2

2	更新樣式	Jack	012821
1	更新材質表	Jack	121620
ITEM NO.	DESCRIPTION	DRAWN	DATE